

United States Patent [19]

Tapdrup

[11] Patent Number: **Des. 293,255**

[45] Date of Patent: **** Dec. 15, 1987**

[54] **TOY WINDMILL ARM OR SIMILAR ARTICLE**

[75] Inventor: **Erik P. Tapdrup, Virum, Denmark**

[73] Assignee: **Interlego A.G., Baar, Switzerland**

[**] Term: **14 Years**

[21] Appl. No.: **805,351**

[22] Filed: **Dec. 4, 1985**

[52] U.S. Cl. **D21/119**

[58] Field of Search **D21/119, 90, 59, 108; 446/85, 97, 99, 104, 105, 106, 107, 108, 109, 110, 117, 118, 120, 121, 122, 124, 126, 127**

[56] **References Cited**

U.S. PATENT DOCUMENTS

D. 105,496 8/1937 Niece D21/119

D. 166,516 4/1952 Yellin D21/119

D. 191,915 12/1961 Dunbar D21/119

D. 198,463 6/1964 Rasmussen D21/119

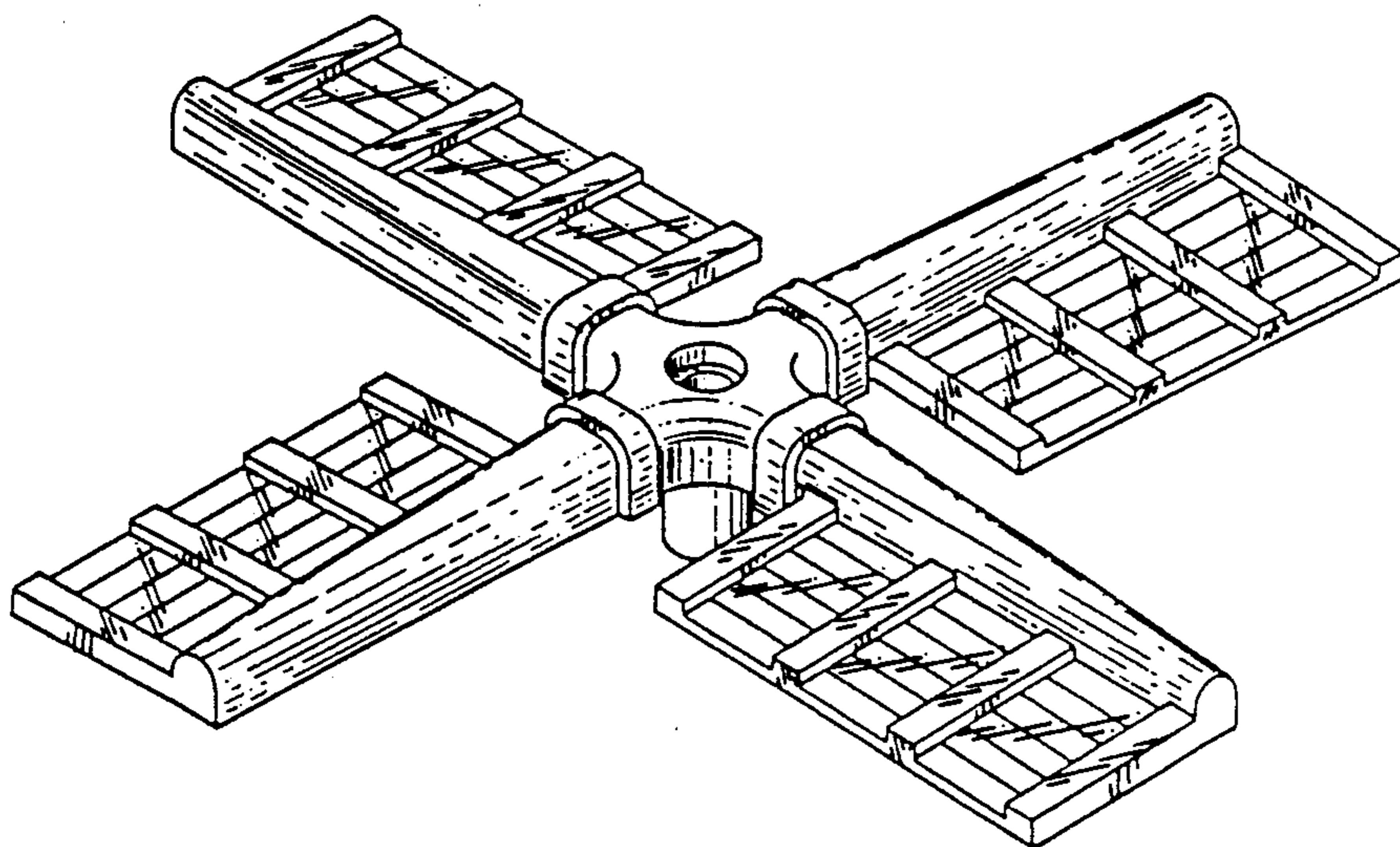
Primary Examiner—Charles A. Rademaker
Attorney, Agent, or Firm—Kane, Dalsimer, Sullivan, Kurucz, Levy, Eisele and Richard

[57] **CLAIM**

The ornamental design for a toy windmill arm or similar article, as shown and described.

DESCRIPTION

FIG. 1 is a top perspective view of a toy windmill arm or similar article showing my new design;
FIG. 2 is a top plan view thereof;
FIG. 3 is a front elevational view thereof;
FIG. 4 is a side elevational view thereof; and
FIG. 5 is a bottom plan view thereof.



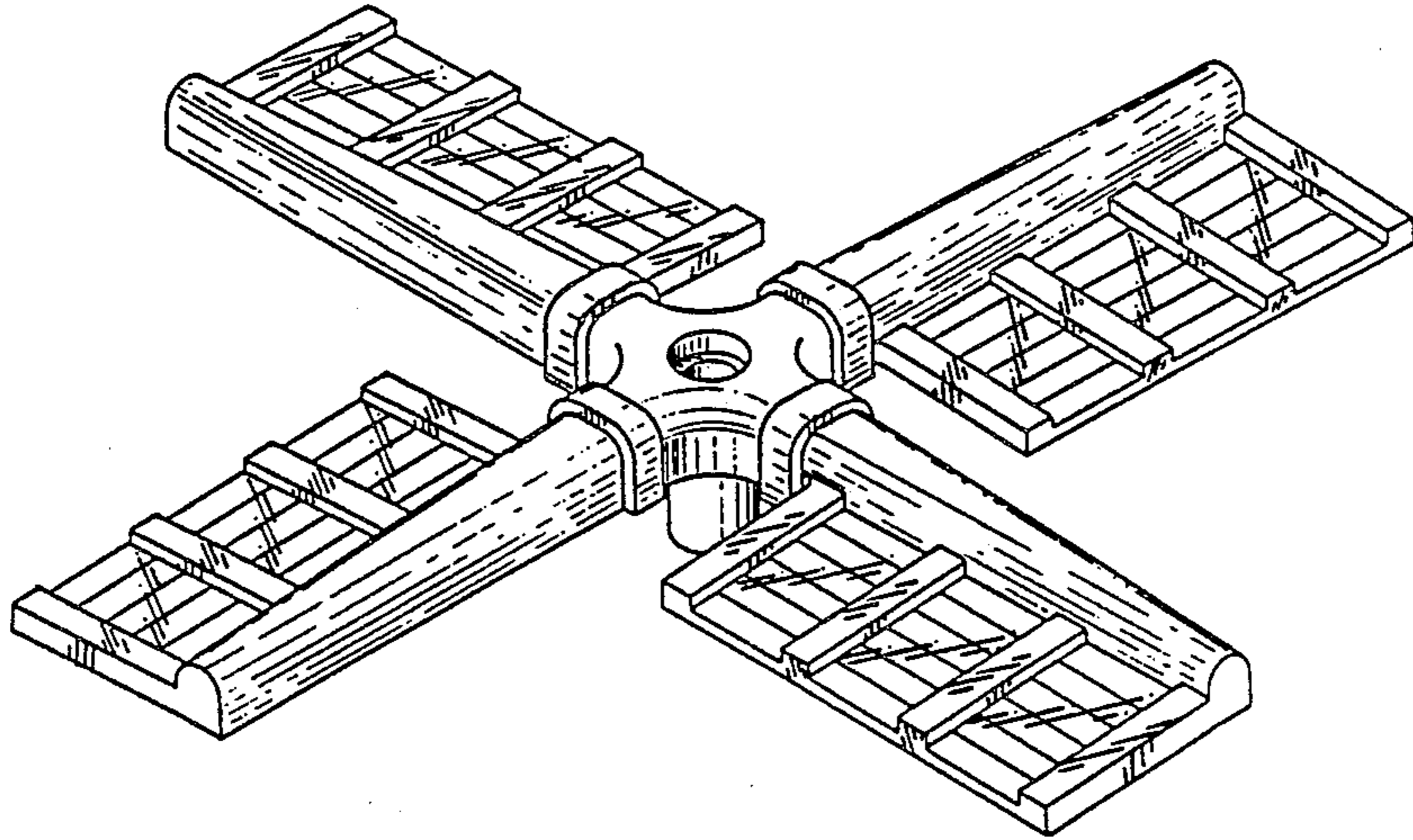


FIG. 1

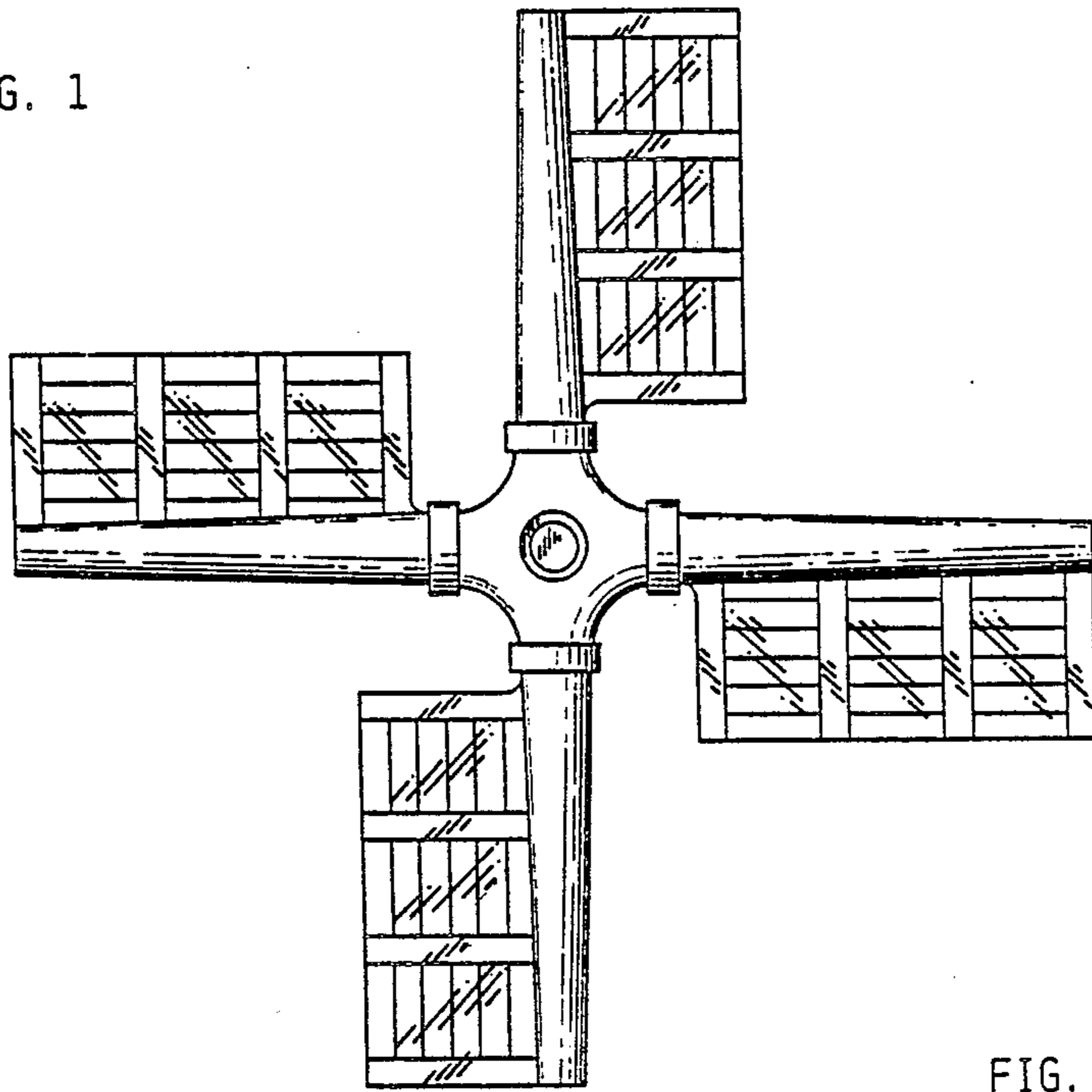


FIG. 2

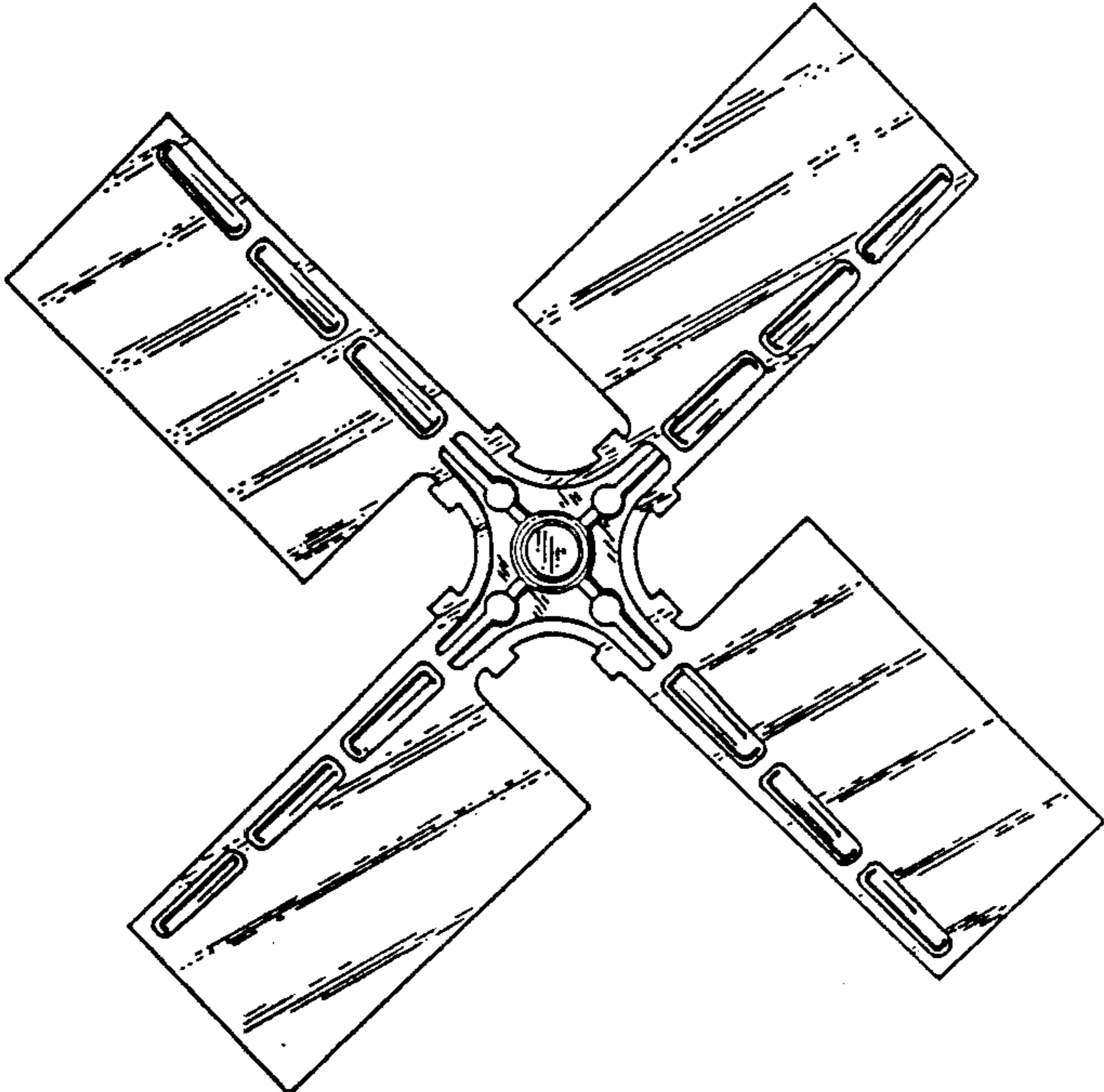


FIG. 5

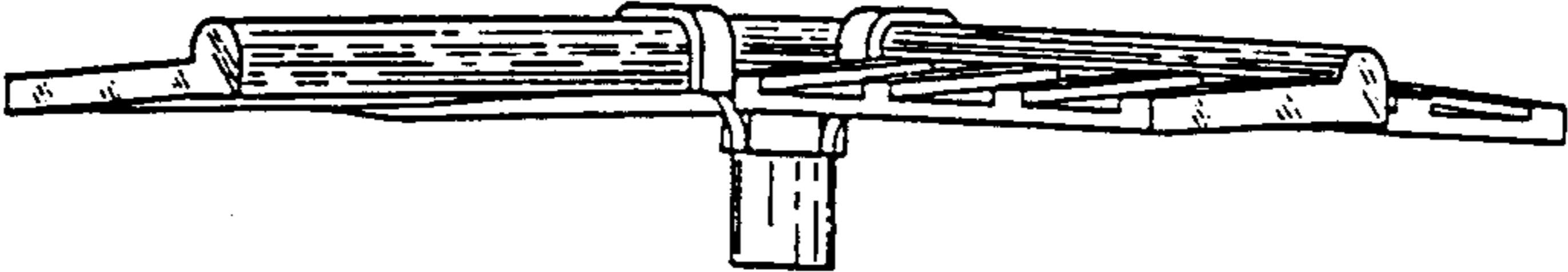


FIG. 4

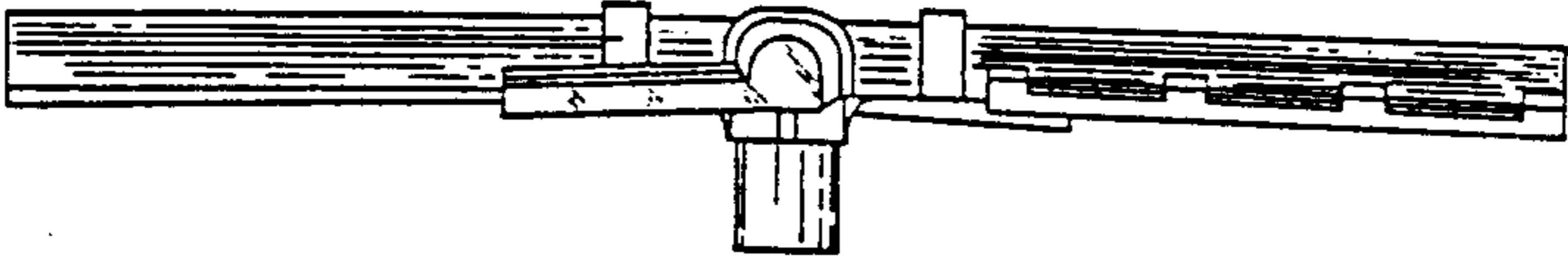


FIG. 3