

United States Patent [19]

Kaufmann et al.

[11] Patent Number: Des. 293,250

[45] Date of Patent: ** Dec. 15, 1987

[54] INDUSTRIAL ROBOT

[75] Inventors: Herbert Kaufmann; Ulf Back, both of Västerås, Sweden

[73] Assignee: Asea AB, Västerås, Sweden

[**] Term: 14 Years

[21] Appl. No.: 803,487

[22] Filed: Dec. 2, 1985

[30] Foreign Application Priority Data

Jun. 4, 1985 [SE] Sweden 85-1451

[52] U.S. Cl. D15/199; D15/122

[58] Field of Search 414/729, 730, 732, 737, 414/738, 739, 740, 741, 744 R, 744 A, 744 B, 744 C; 901/14-16; D15/122, 199

[56] References Cited

U.S. PATENT DOCUMENTS

D. 268,587 4/1983 Kono et al. D15/122

D. 269,681 7/1983 Morser et al. D15/122
D. 279,571 7/1985 Arai et al. D15/199
D. 279,572 7/1985 Yasuoka et al. D15/122
D. 287,368 12/1986 Shibayama et al. D15/122
3,255,893 6/1966 Hainer et al. 414/739
4,586,868 5/1986 Nakashima et al. D15/199

Primary Examiner—B. J. Bullock
Attorney, Agent, or Firm—Young & Thompson

[57] CLAIM

The ornamental design for an industrial robot, as shown and described.

DESCRIPTION

FIG. 1 is a front elevational view of an industrial robot showing our new design;

FIG. 2 is a rear elevational view thereof;

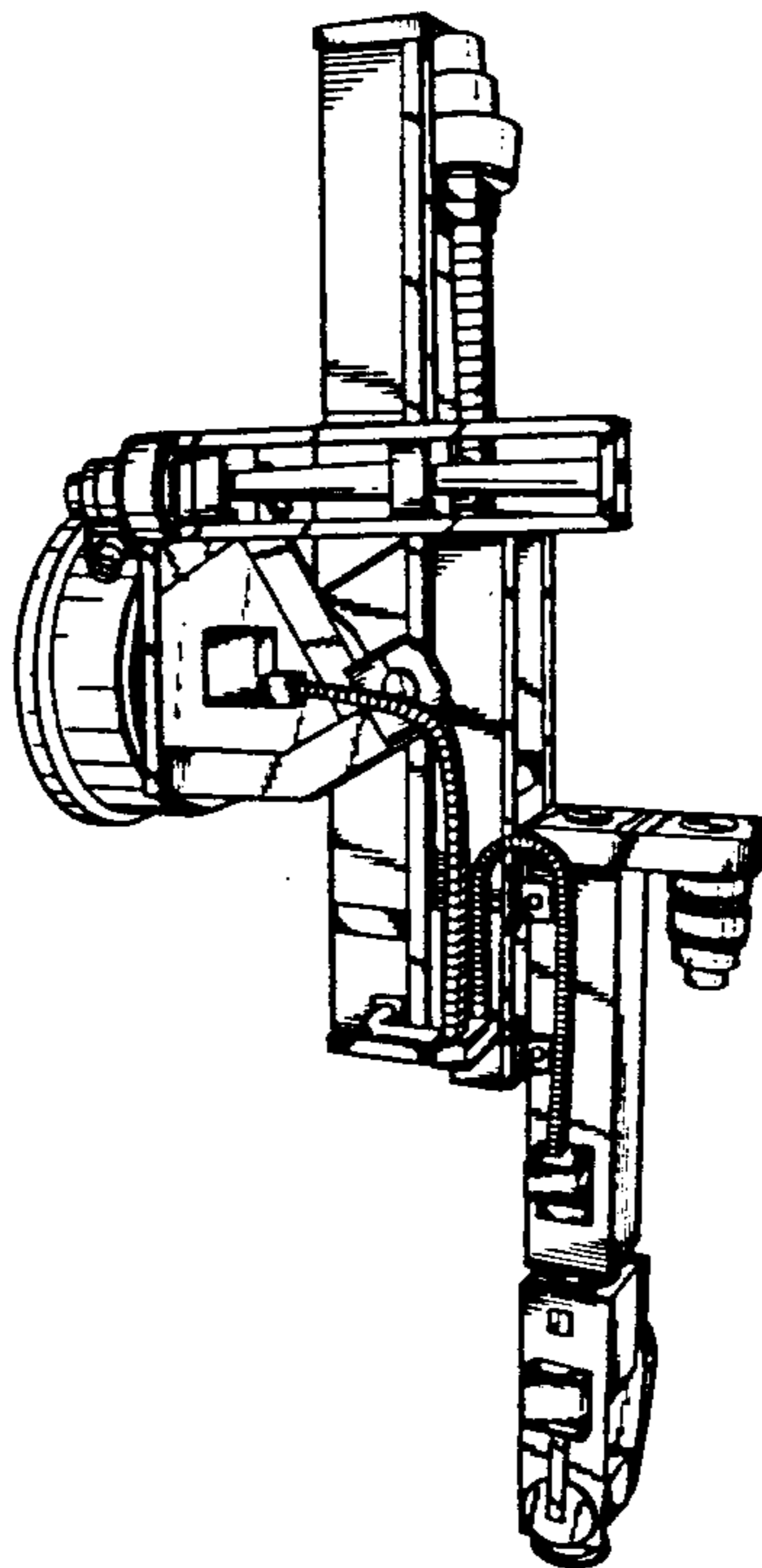
FIG. 3 is a left side elevational view thereof;

FIG. 4 is a right side elevational view thereof;

FIG. 5 is a top plan view thereof;

FIG. 6 is a bottom plan view thereof;

FIG. 7 is a right side perspective view thereof.



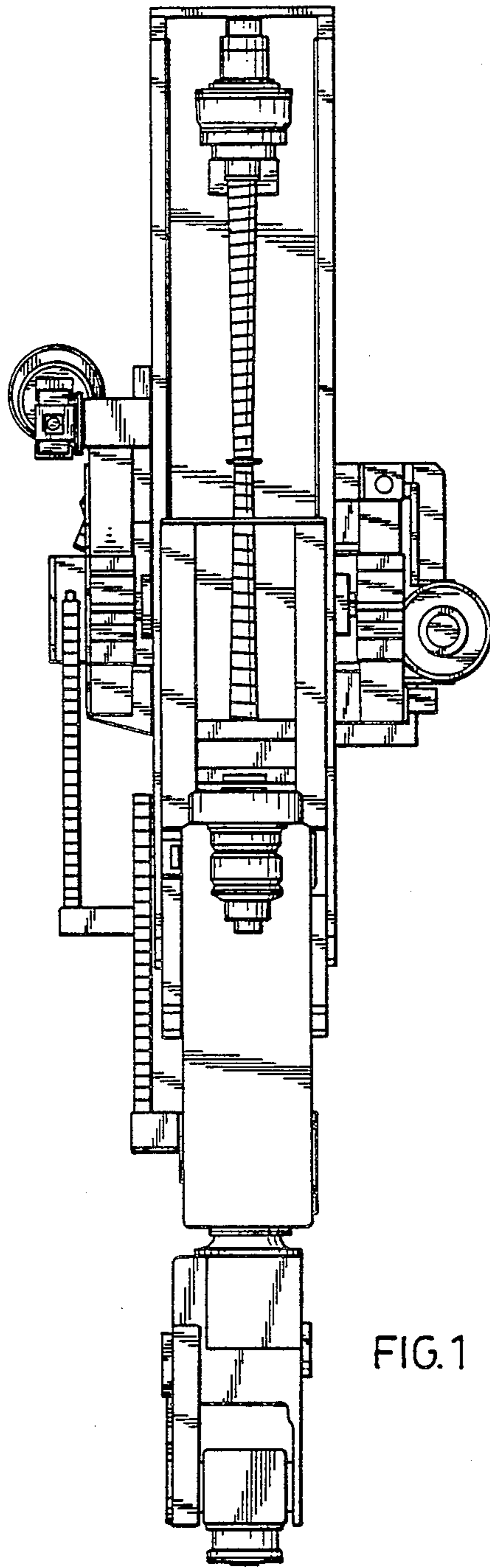


FIG. 1

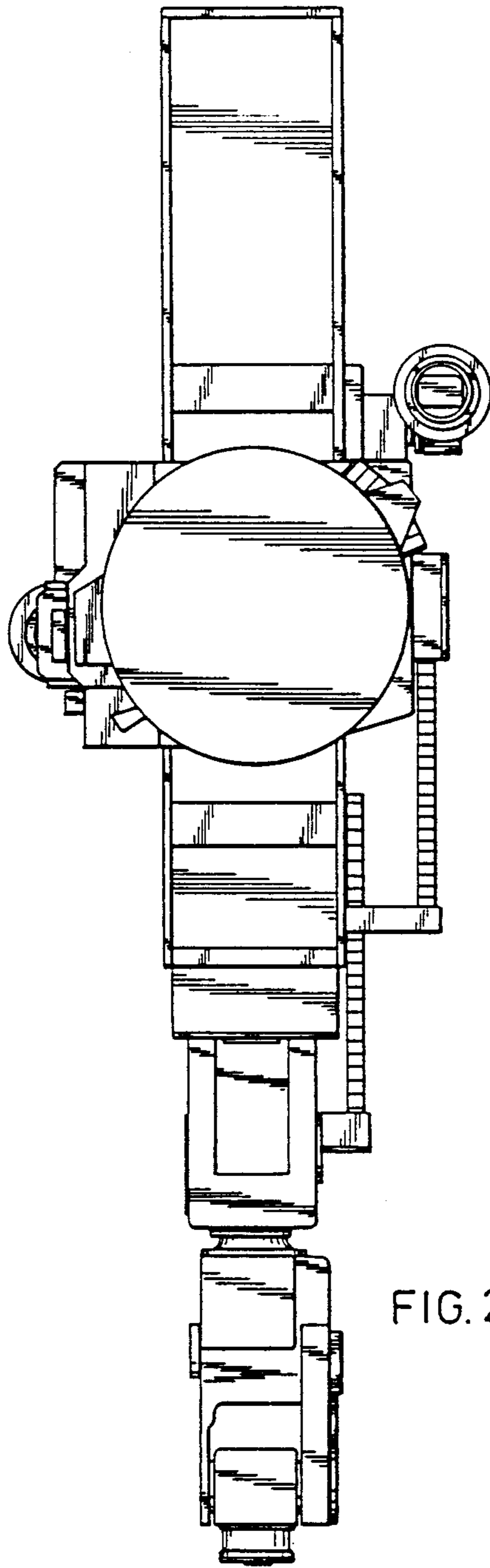


FIG. 2

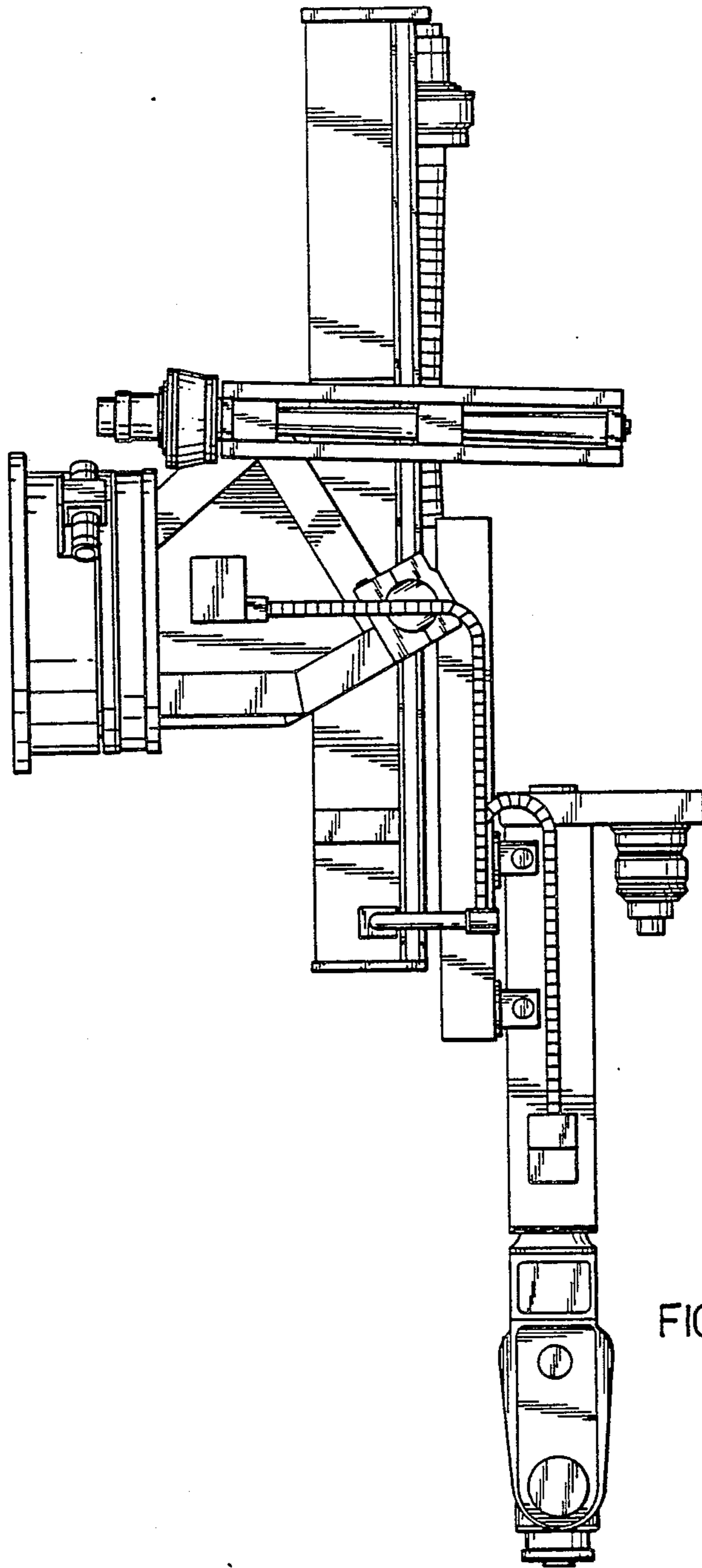


FIG. 3

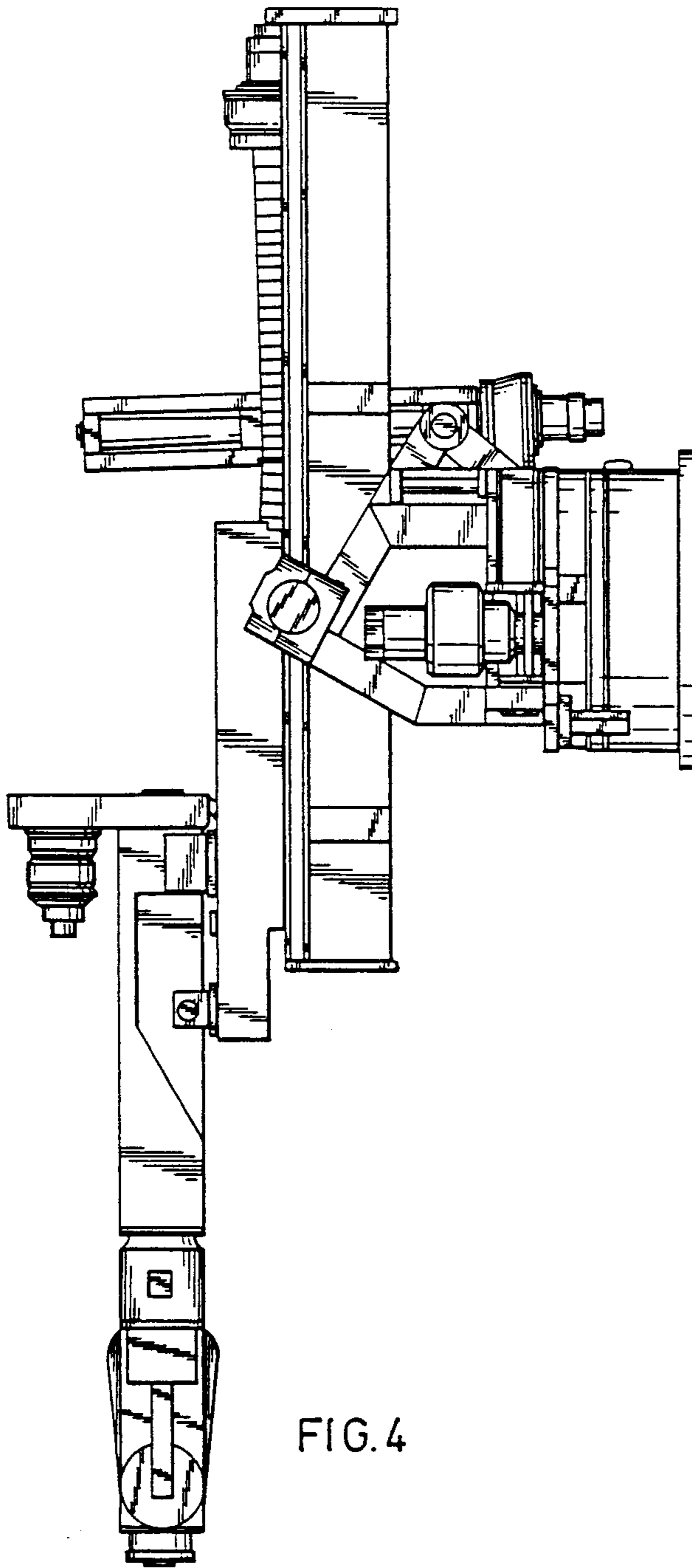


FIG. 4

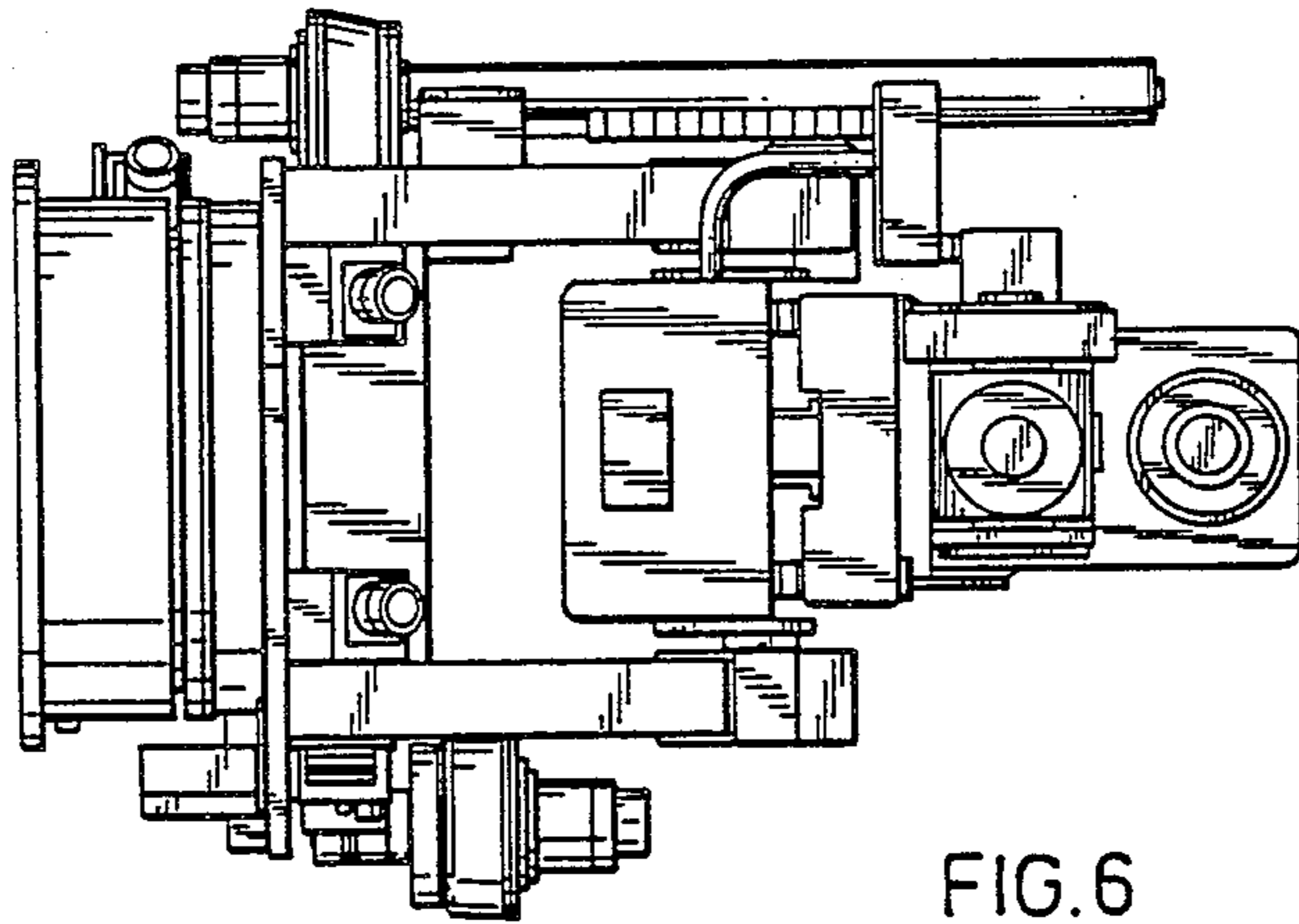


FIG. 6

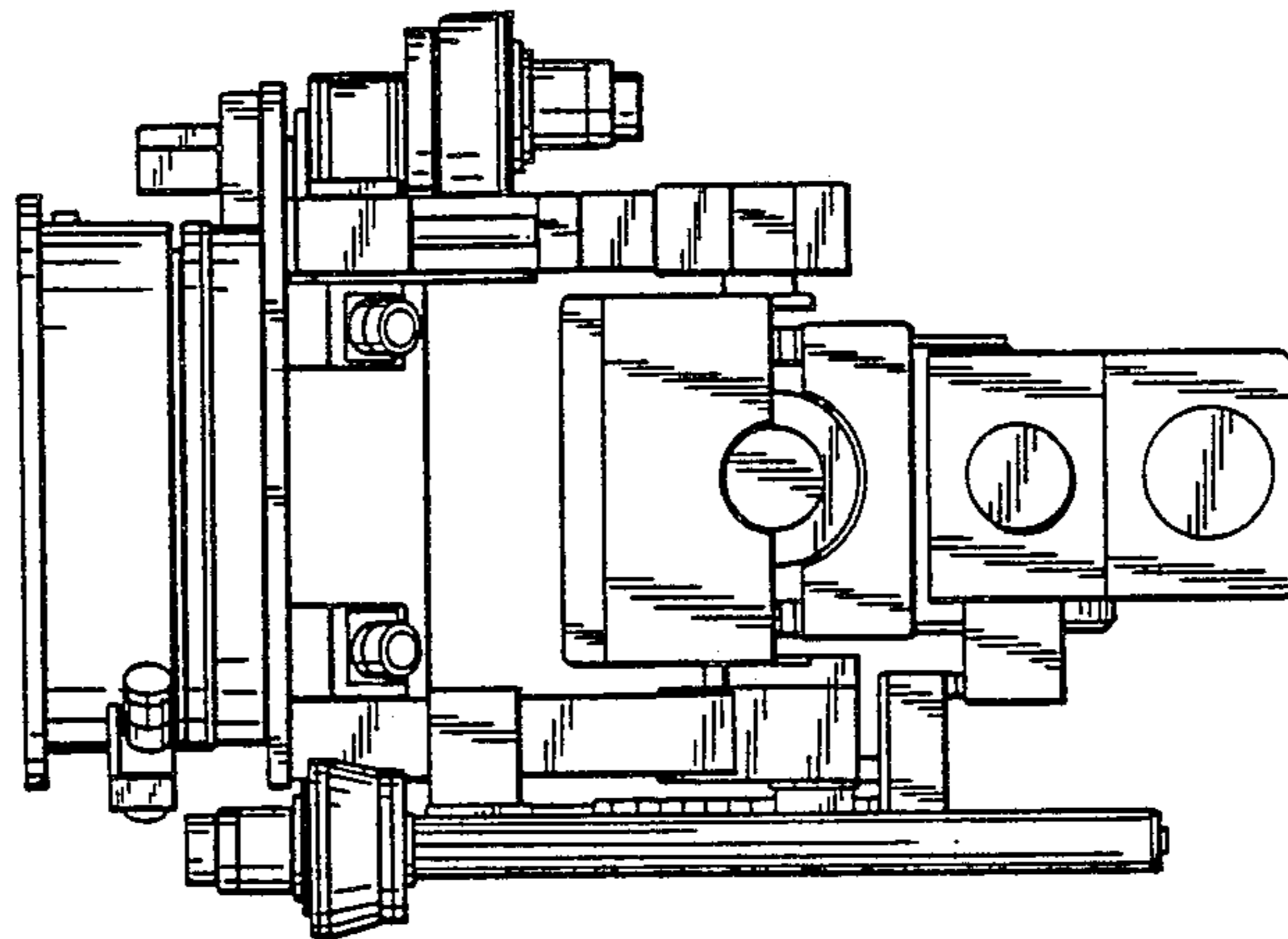


FIG. 5

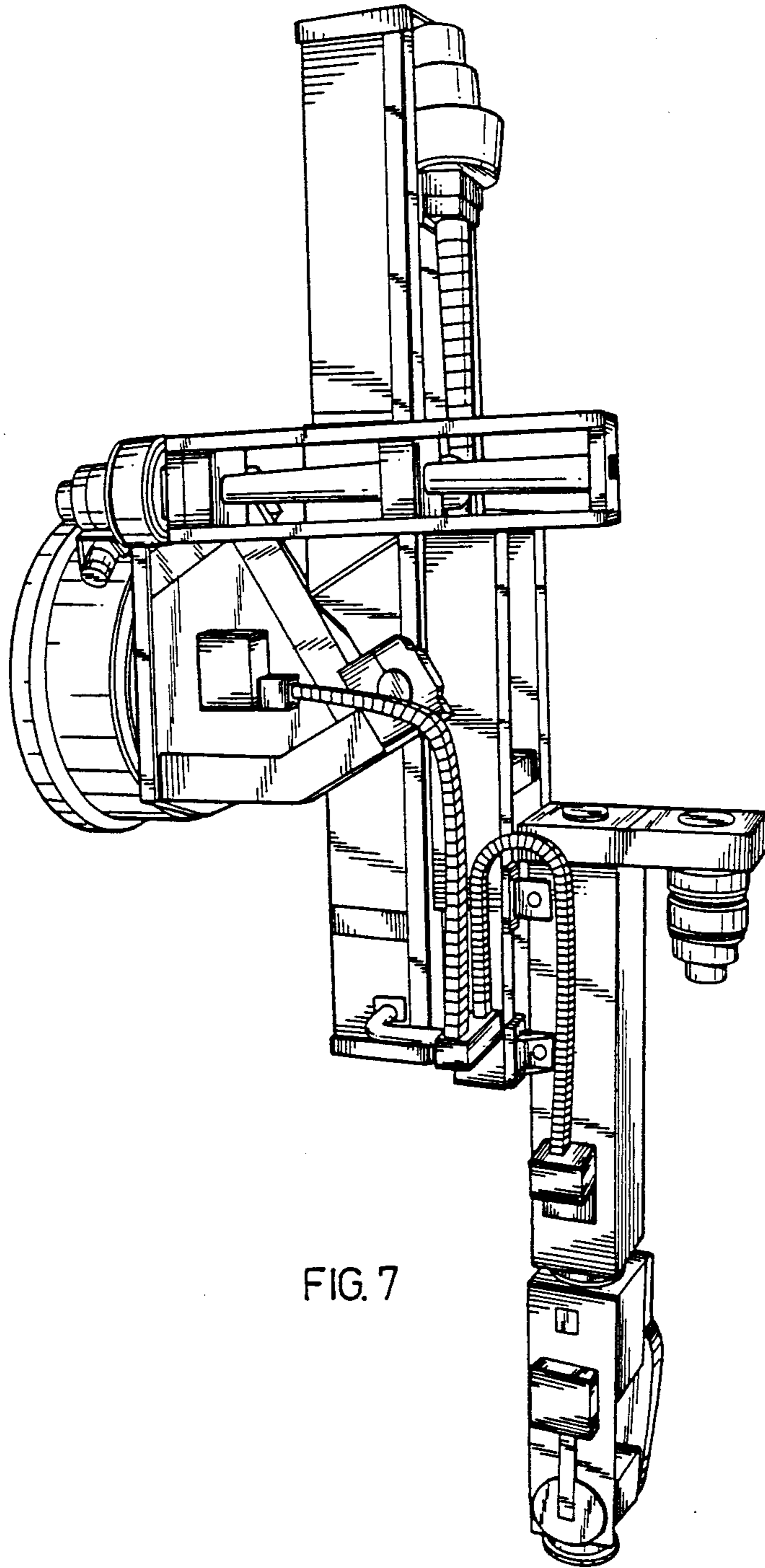


FIG. 7