

United States Patent [19]
Matsumoto

[11] **Patent Number: Des. 293,248**

[45] **Date of Patent: ** Dec. 15, 1987**

[54] **PRINTER**

D. 284,012 5/1986 Mitsubishi D14/111 X

[75] **Inventor: Nobuki Matsumoto, Kanagawa, Japan**

[73] **Assignee: Ricoh Company, Ltd., Tokyo, Japan**

[**] **Term: 14 Years**

[21] **Appl. No.: 733,598**

[22] **Filed: May 13, 1985**

[30] **Foreign Application Priority Data**

Nov. 13, 1984 [JP] Japan 59-46753

[52] **U.S. CL. D14/111**

[58] **Field of Search D14/100, 107, 111, 114;
D18/13, 22; 400/689-691**

[56] **References Cited**

U.S. PATENT DOCUMENTS

D. 283,823 5/1986 Mitsubishi D14/111 X

OTHER PUBLICATIONS

Infoworld, 12-18-1983, p. 21, Star TM Printer.

Primary Examiner—Susan J. Lucas
Attorney, Agent, or Firm—Oblon, Fisher, Spivak,
McClelland, & Maier

[57] **CLAIM**

The ornamental design for printer, as shown, and described.

DESCRIPTION

FIG. 1 is a front and top-left perspective view of a printer showing my new design;
FIG. 2 is a front elevational view thereof;
FIG. 3 is a top plan view thereof;
FIG. 4 is a right side elevational view thereof;
FIG. 5 is a left side elevational view thereof;
FIG. 6 is a rear elevational view thereof, and
FIG. 7 is a bottom plan view thereof.

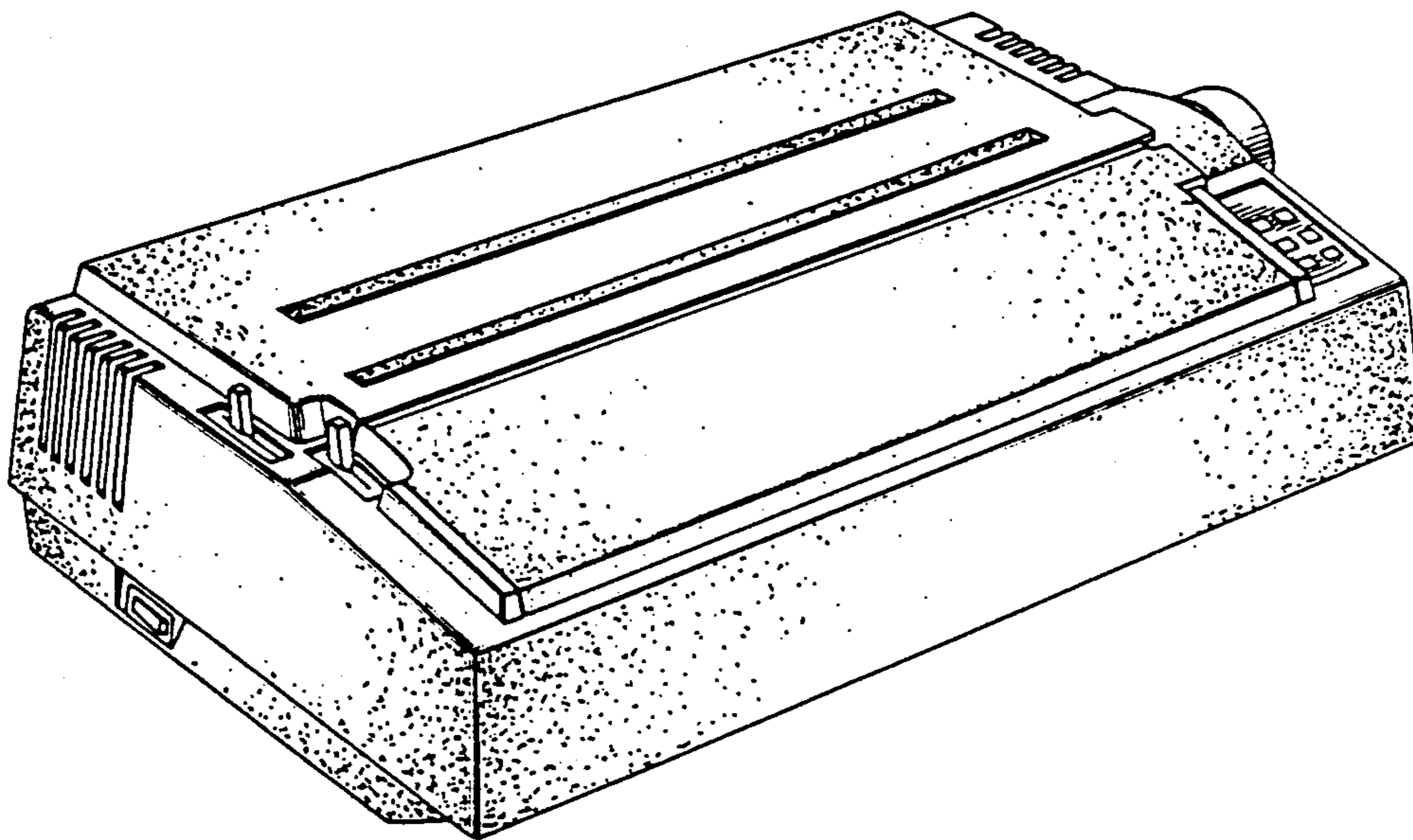


FIG. 1

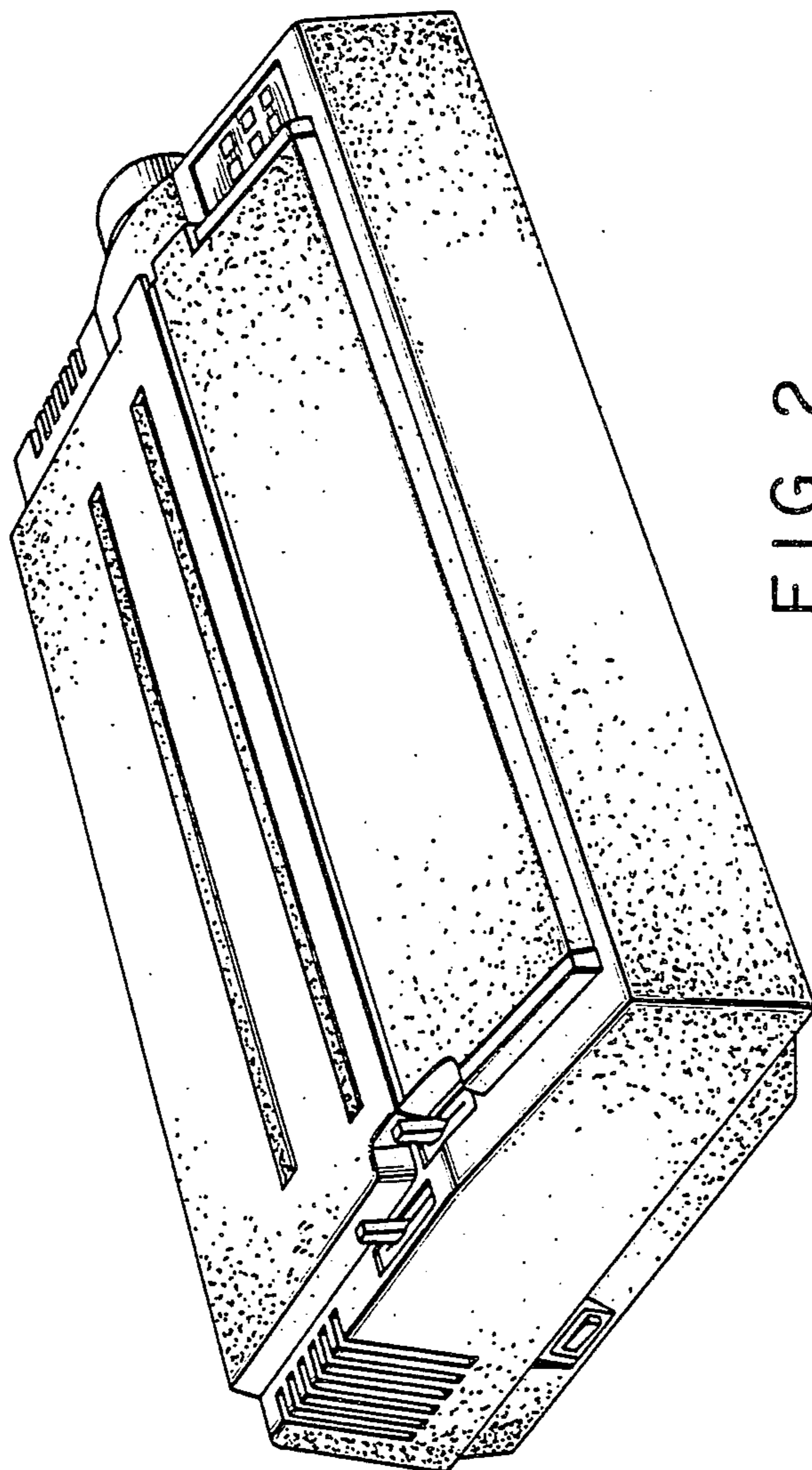
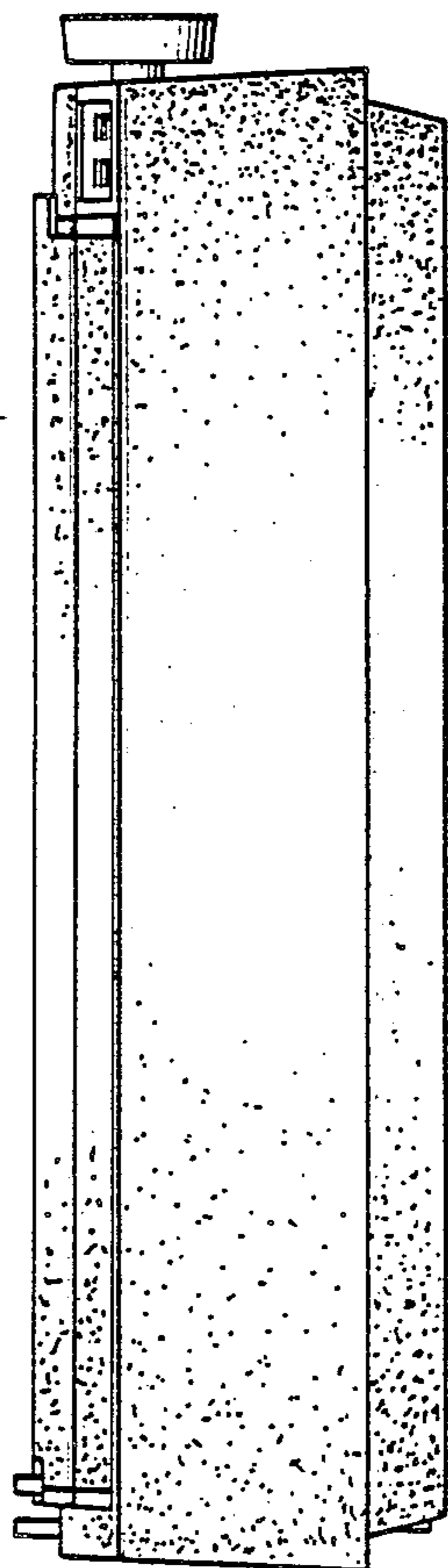


FIG. 2



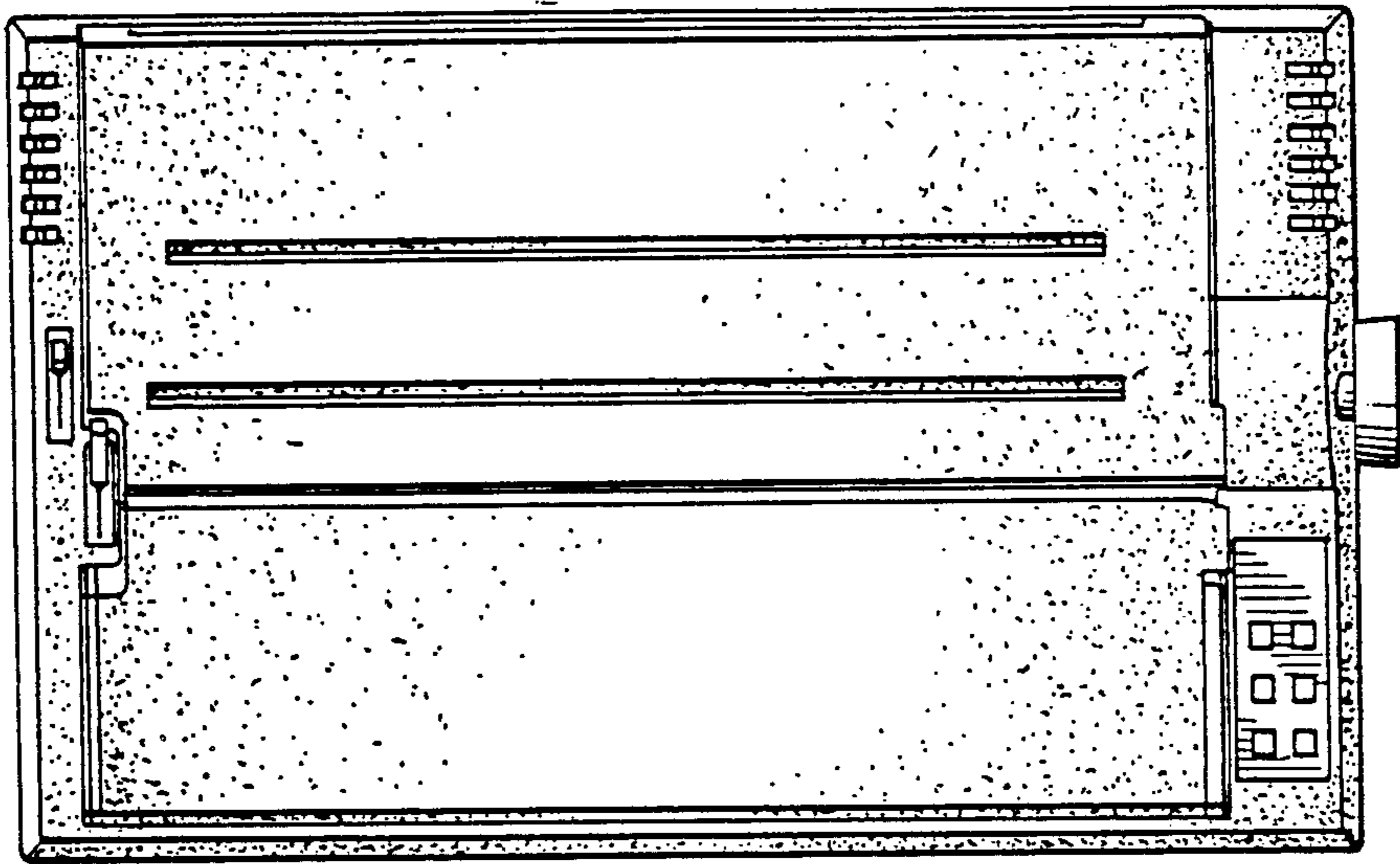


FIG. 3

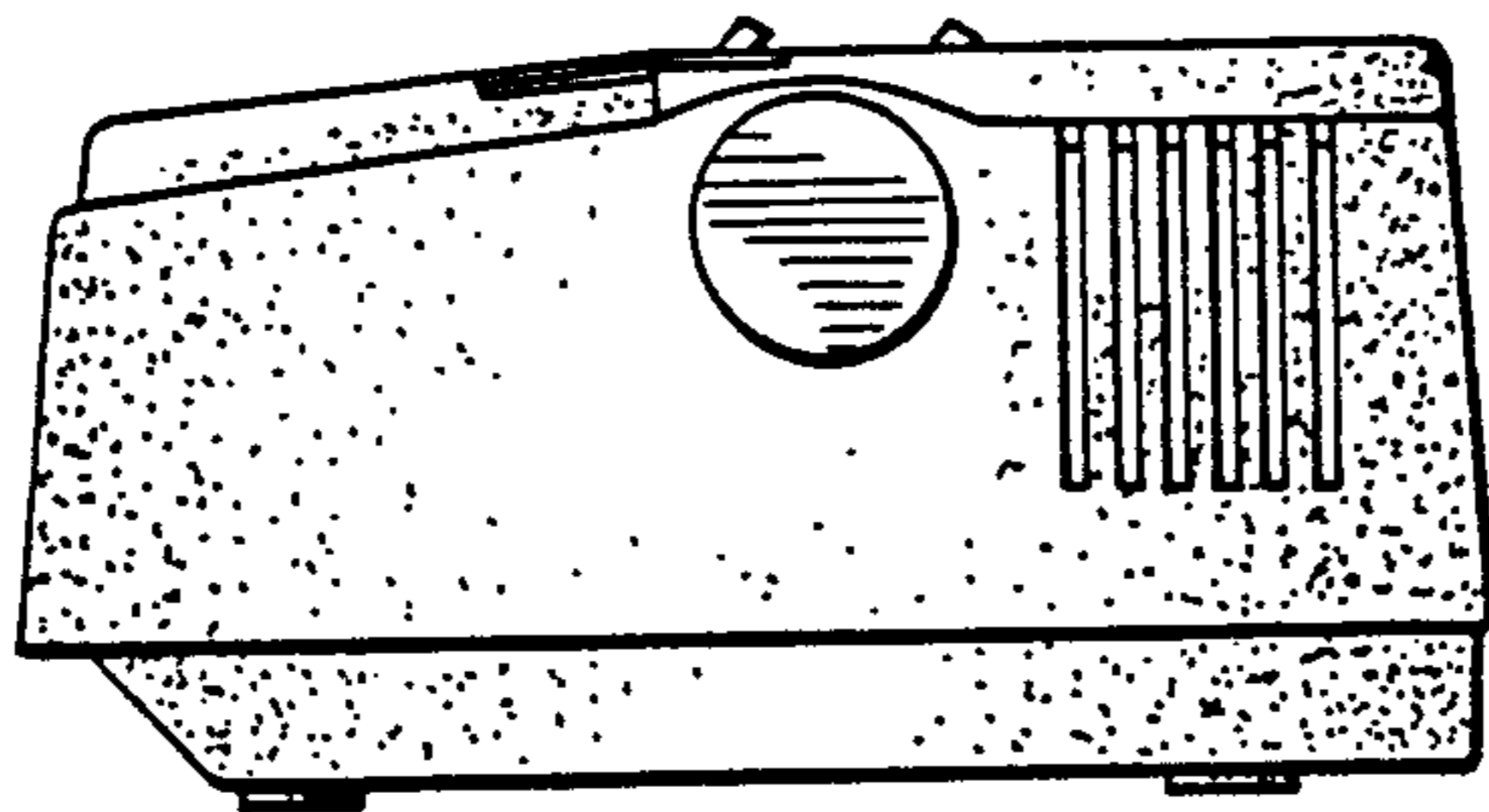


FIG. 4

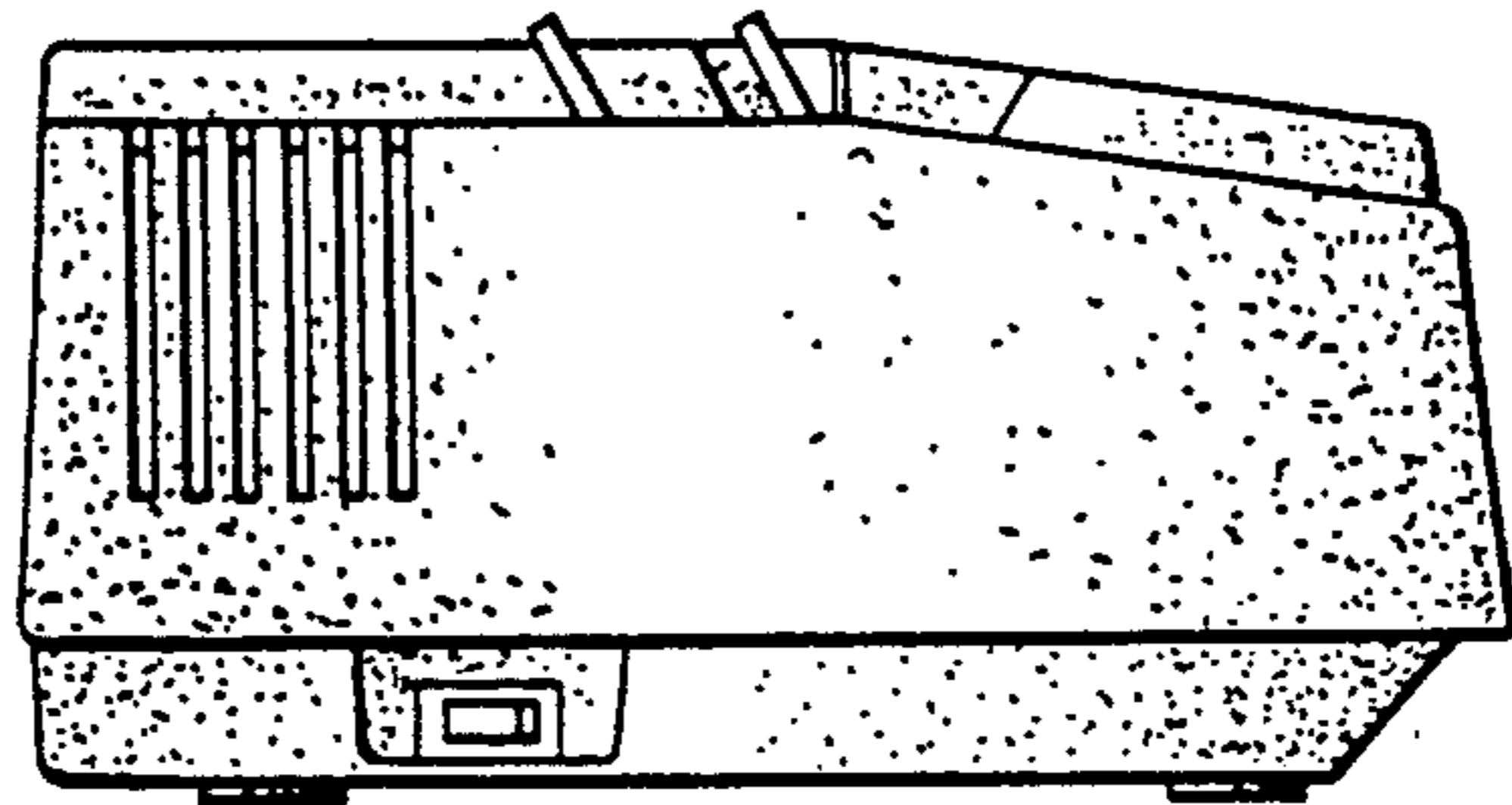


FIG. 5

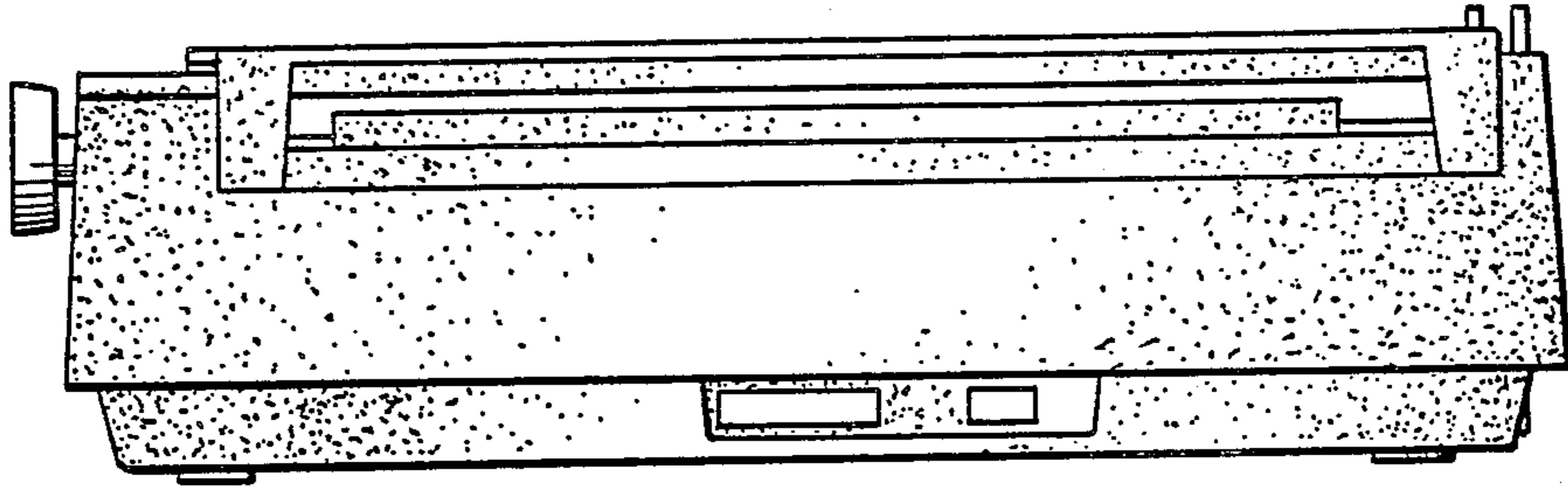


FIG. 6

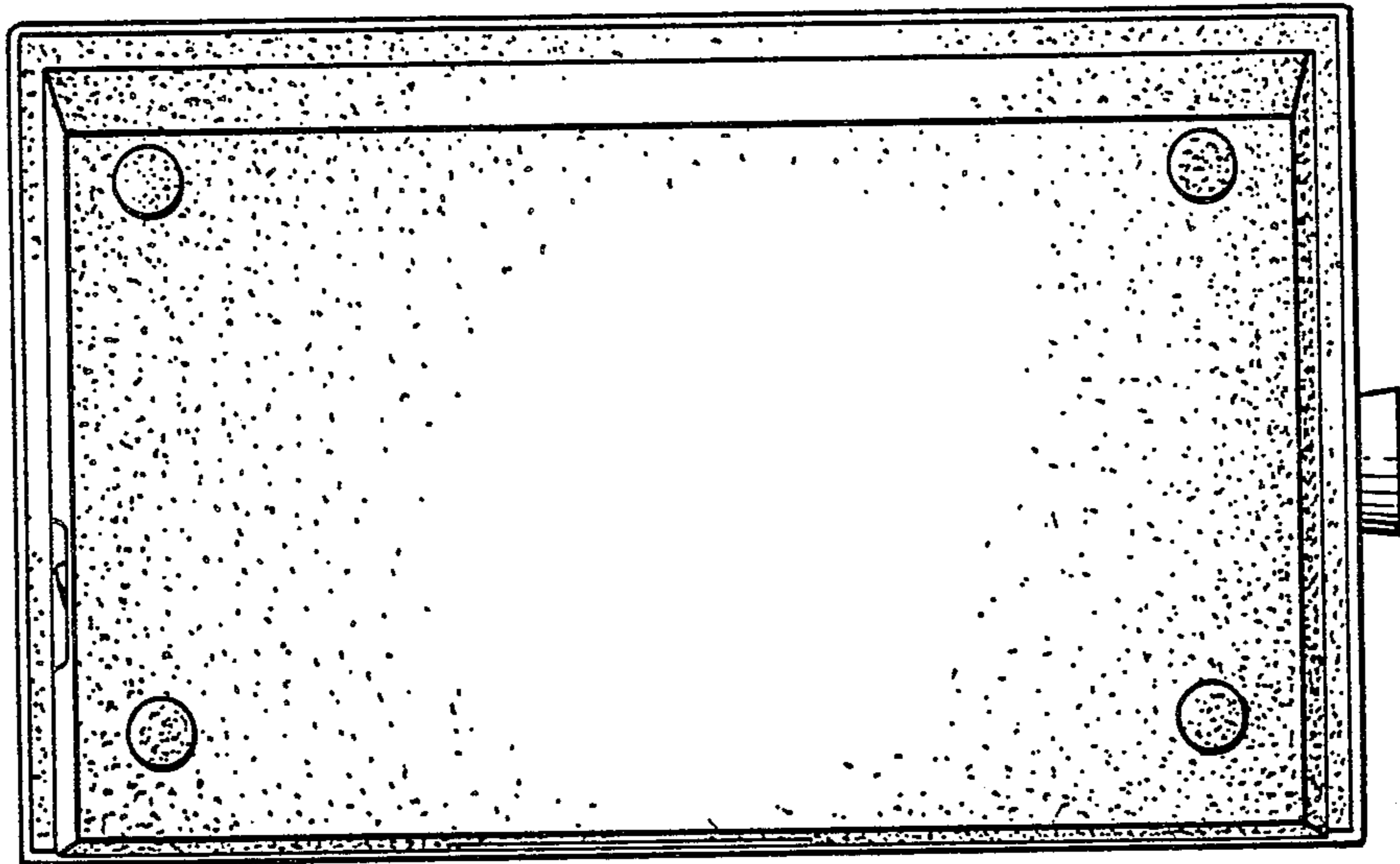


FIG. 7