

[54] **KEYBOARD OR SIMILAR ARTICLE**

[75] Inventors: Robin Chu, San Francisco; John W. Toor, Palo Alto, both of Calif.

[73] Assignee: Xerox Corporation, Stamford, Conn.

[\*\*] Term: 14 Years

[21] Appl. No.: 791,848

[22] Filed: Oct. 28, 1985

[52] U.S. Cl. .... D14/100

[58] Field of Search ..... D14/100, 101, 106, 107, D14/114, 115; 340/365 R, 711; 235/145 R, 146; 200/5 A; 400/682; 248/398

[56] **References Cited**

**U.S. PATENT DOCUMENTS**

D. 267,879	2/1983	Keely et al. ....	D14/100
D. 279,474	7/1985	Akagi et al. ....	D14/100
D. 281,246	11/1985	Lenzi, Jr. ....	D14/100
D. 284,009	5/1986	Anzelone ....	D14/115
D. 284,574	7/1986	Fischer ....	D14/100
D. 285,922	9/1986	Freige et al. ....	D14/100
4,527,149	7/1985	Swenson ....	340/365 R

**OTHER PUBLICATIONS**

Infoworld, 12-19-1983, p. 21, Hyperion® Computer Keyboard.

NEC Information Systems Brochure, 7-1983, Personal Computer Keyboard.

*Primary Examiner*—Susan J. Lucas

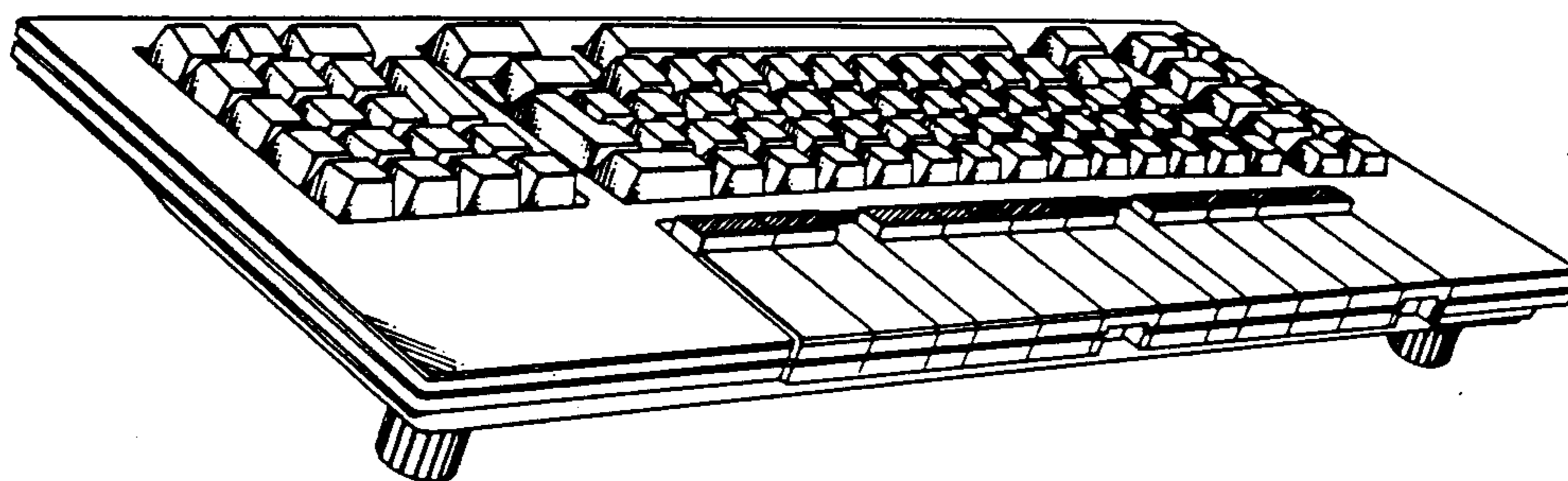
*Attorney, Agent, or Firm*—W. Douglas Carothers, Jr.

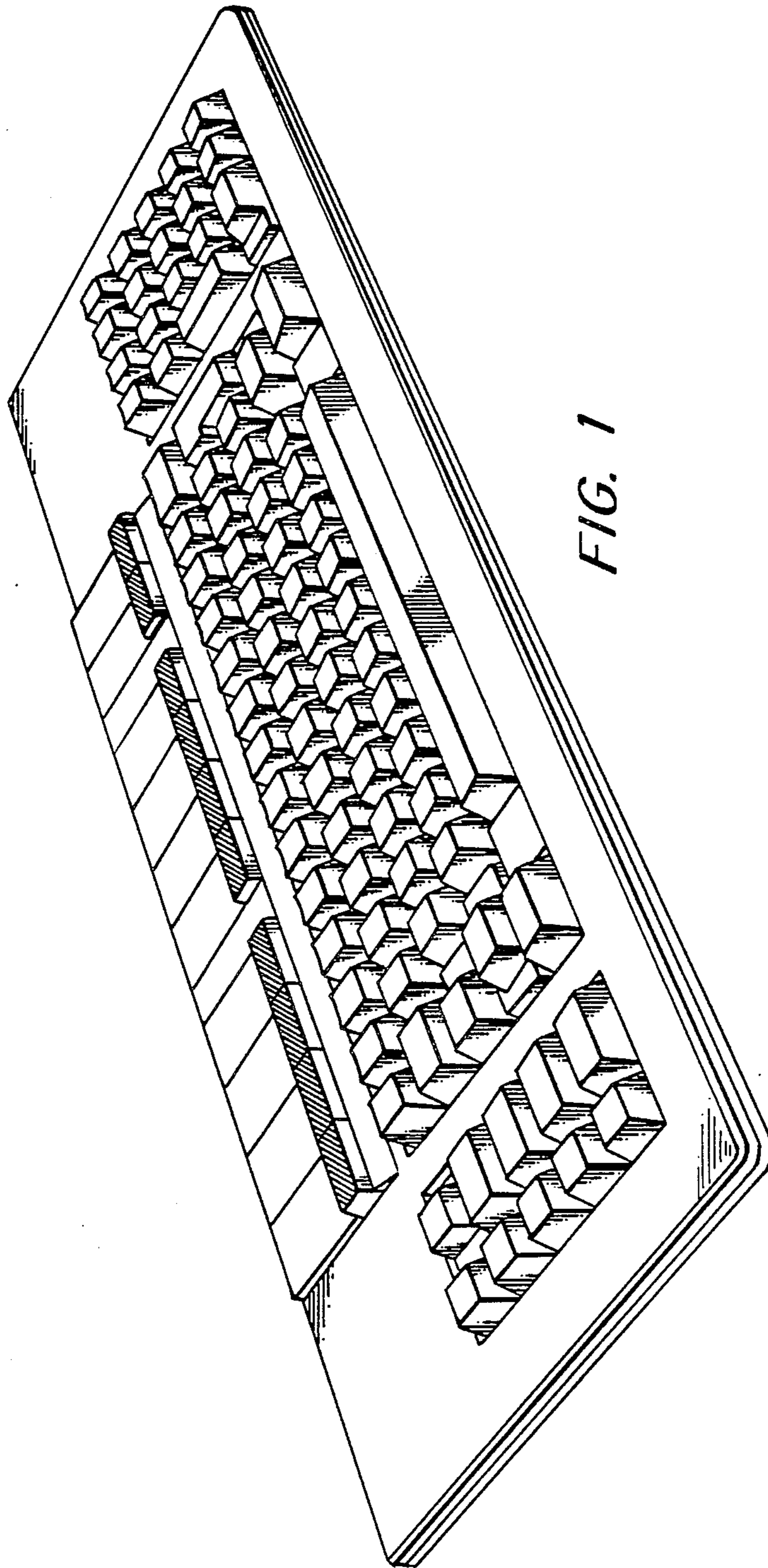
[57] **CLAIM**

The ornamental design for the keyboard or similar article, as shown and described.

**DESCRIPTION**

FIG. 1 is a front perspective view of a keyboard or similar article showing our new design;  
 FIG. 2 is a rear perspective view thereof;  
 FIG. 3 is a front elevational view thereof;  
 FIG. 4 is a right side elevational view thereof with the keyboard legs in the extended position;  
 FIG. 5 is a right side elevational view thereof with the keyboard legs in the retracted position;  
 FIG. 6 is a rear elevational view thereof with the keyboard legs in the extended position;  
 FIG. 7 is a rear elevational view thereof with the keyboard legs in retracted position;  
 FIG. 8 is a left side elevational view thereof with the keyboard legs in the extended position;  
 FIG. 9 is a left side elevational view thereof with the keyboard legs in the retracted position;  
 FIG. 10 is a top plan view thereof.





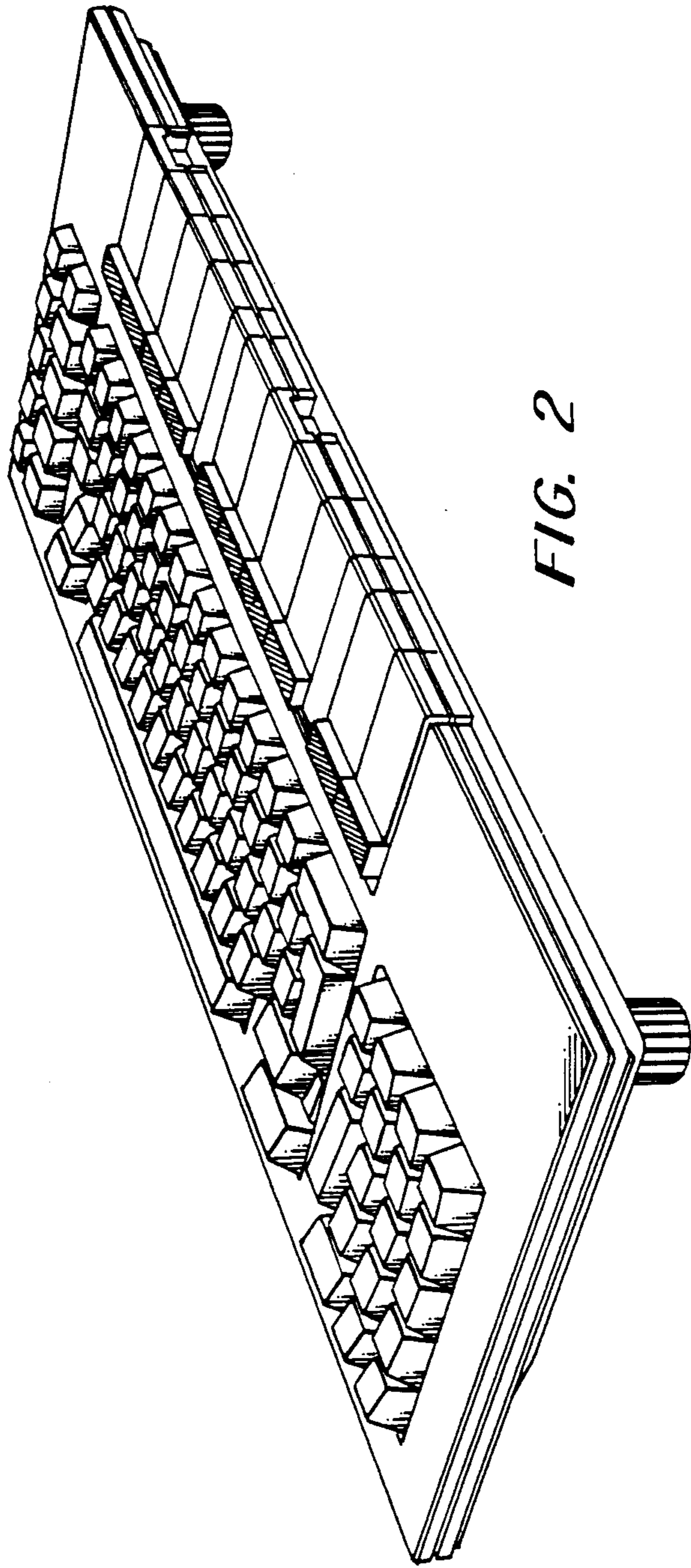


FIG. 2



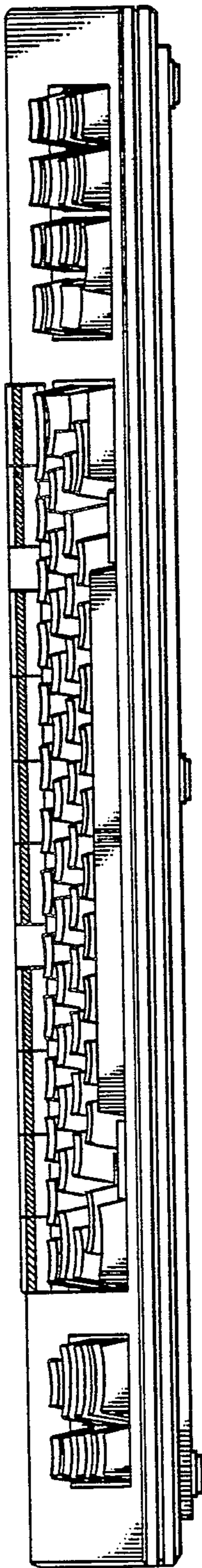
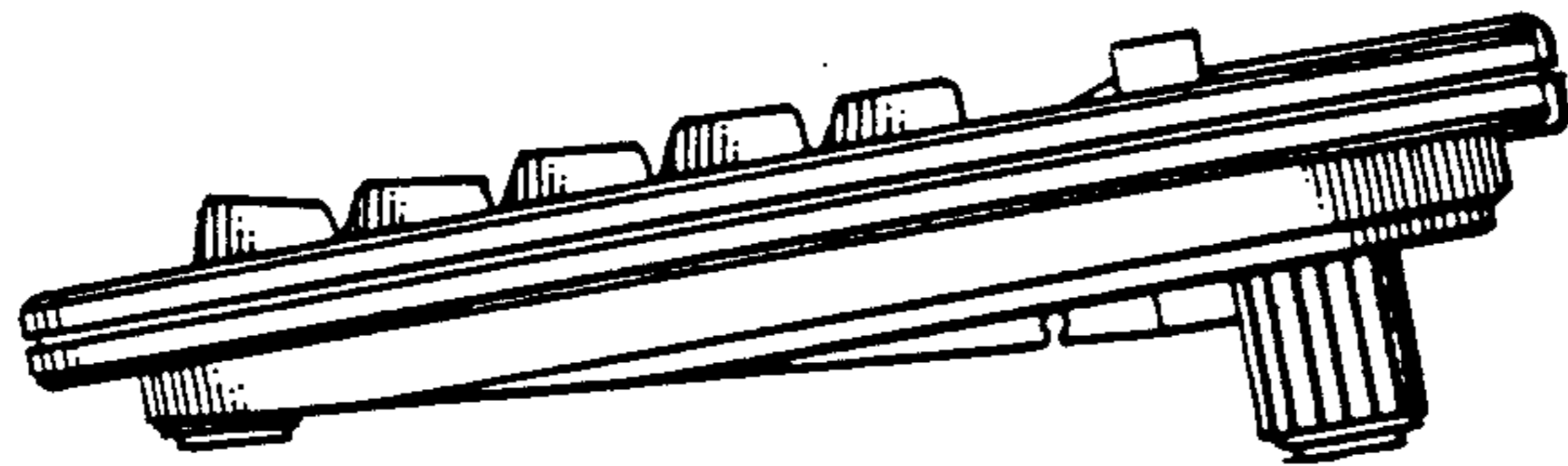
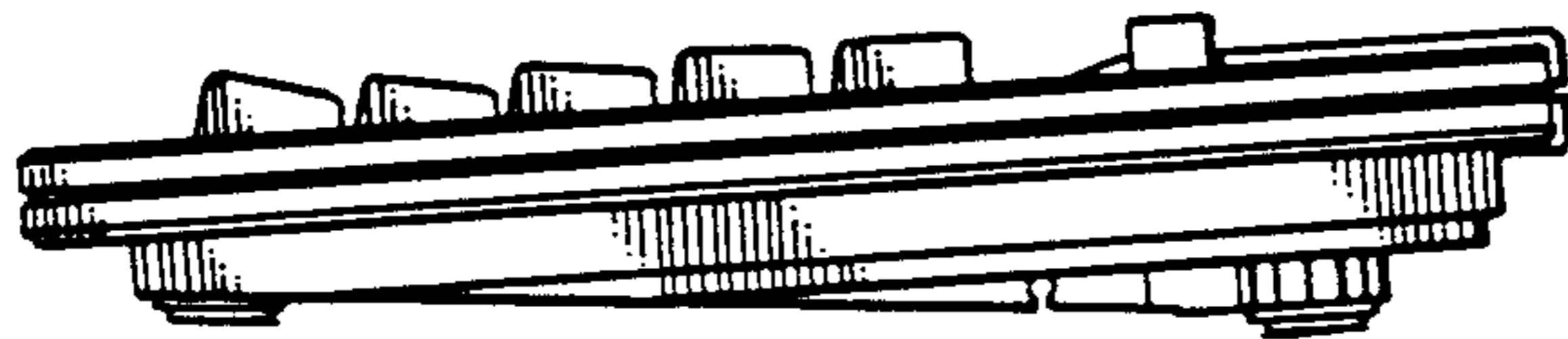


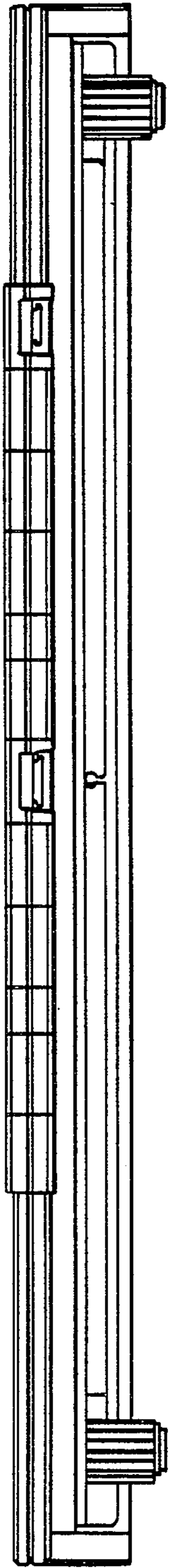
FIG. 3



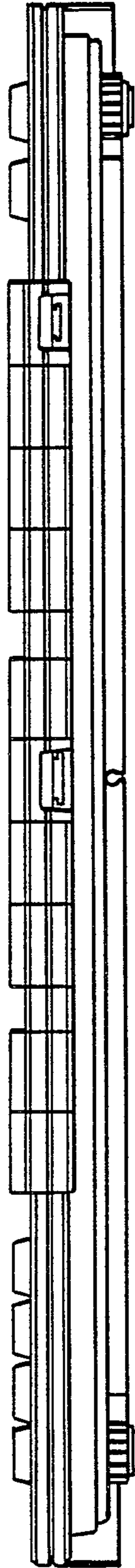
**FIG. 4**



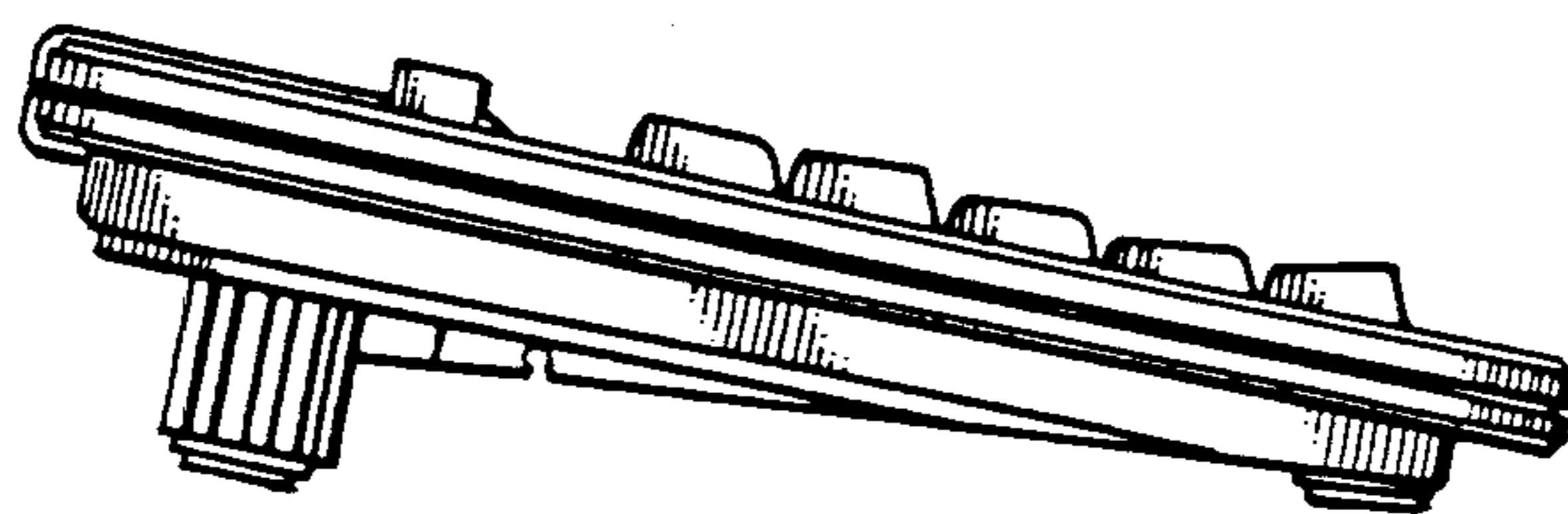
**FIG. 5**



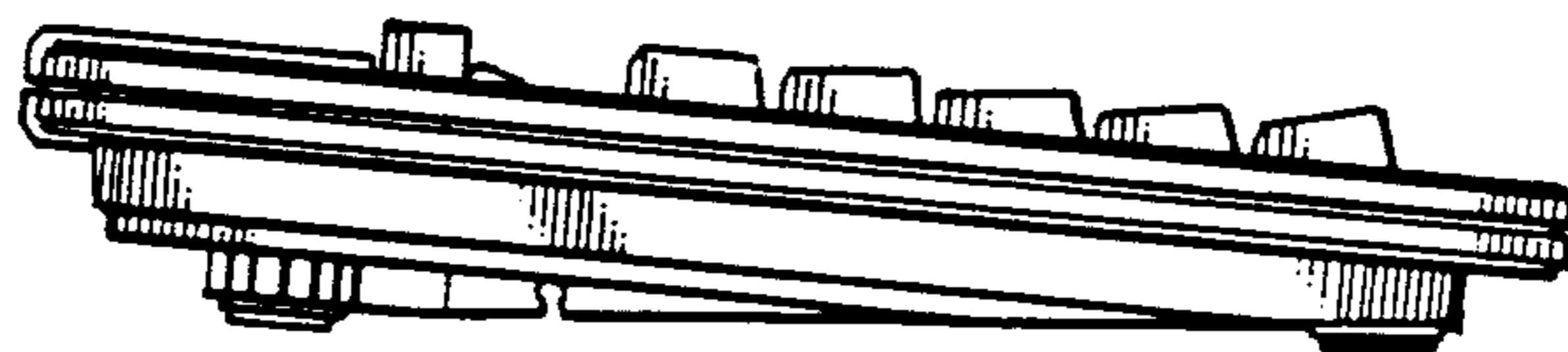
**FIG. 6**



**FIG. 7**



**FIG. 8**



**FIG. 9**

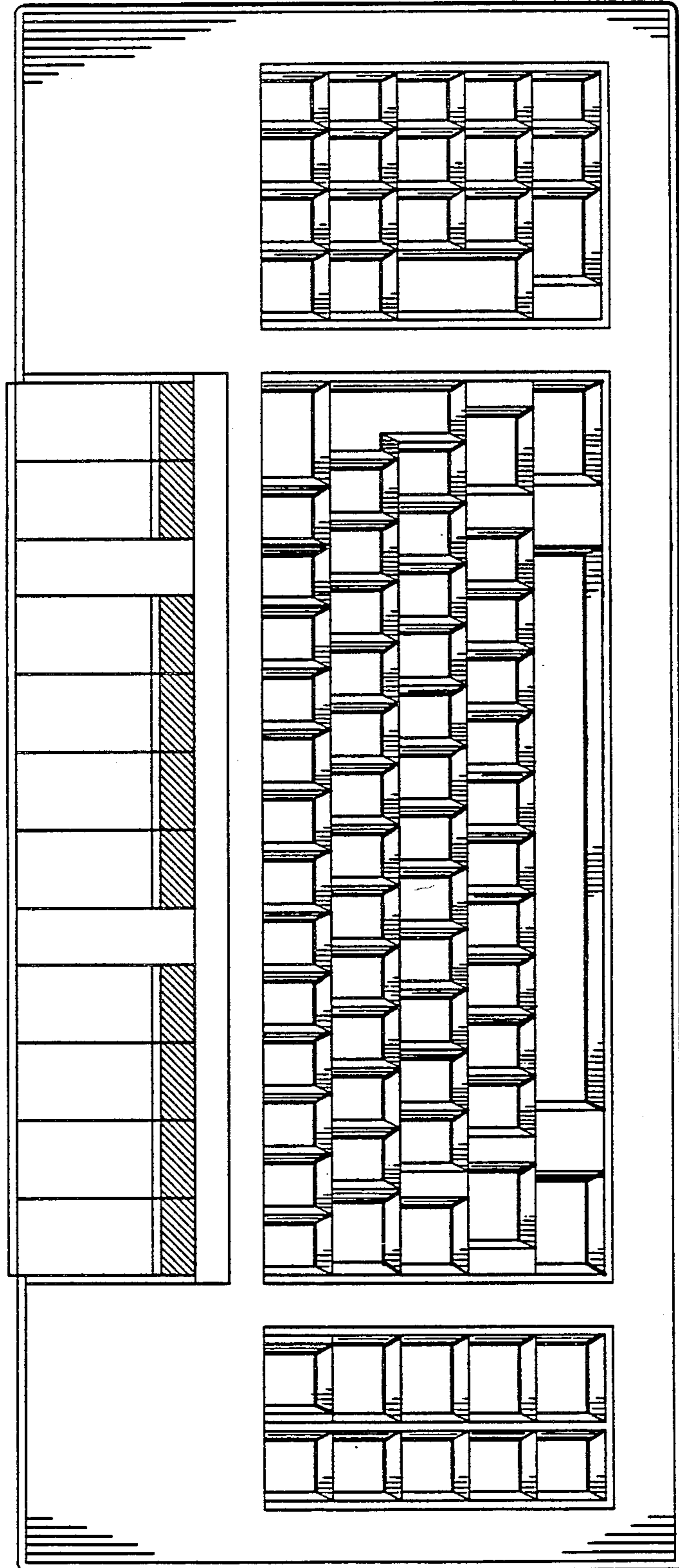


FIG. 10