

United States Patent [19]

Hujimori et al.

[11] Patent Number: Des. 293,242

[45] Date of Patent: ** Dec. 15, 1987

[54] CONTROLLER FOR A POINT-OF-SALES SYSTEM

[75] Inventors: Shirou Hujimori, Koganei;
Masayoshi Miyazaki, Hatano, both
of Japan

[73] Assignee: Hitachi, Ltd., Tokyo, Japan

[**] Term: 14 Years

[21] Appl. No.: 704,723

[22] Filed: Feb. 25, 1985

[30] Foreign Application Priority Data

Aug. 27, 1984 [JP] Japan 59-35415

[52] U.S. Cl. D14/100

[58] Field of Search D14/100, 102, 107, 111,
D14/109, 114; 174/52 R; 361/331, 332, 380,
381, 390; D13/40, 41

[56] References Cited

U.S. PATENT DOCUMENTS

D. 276,524 11/1984 Shibata D14/109

D. 282,664 2/1986 Aoyama D14/100

OTHER PUBLICATIONS

Intertec Data Systems, AD, 3-1983, Compustar © Disk Storage Systems.

Microsystems, 1-1984, p. 130, Octagon 8/16 Dual Processor.

Primary Examiner—Susan J. Lucas

Attorney, Agent, or Firm—Antonelli, Terry & Wands

[57] CLAIM

The ornamental design for a controller for a point-of-sales system, as shown.

DESCRIPTION

FIG. 1 is a top, front and right side perspective view of a controller for the point-of-sales system showing my new design;

FIG. 2 is a bottom, rear and left side perspective view thereof;

FIG. 3 is a front elevational view thereof on an enlarged scale;

FIG. 4 is a left side elevational thereof on an enlarged scale;

FIG. 5 is a right side elevational view thereof on an enlarged scale;

FIG. 6 is a top plan view thereof on an enlarged scale;

FIG. 7 is a rear elevational view thereof on an enlarged scale;

FIG. 8 is a bottom plan view thereof on an enlarged scale.

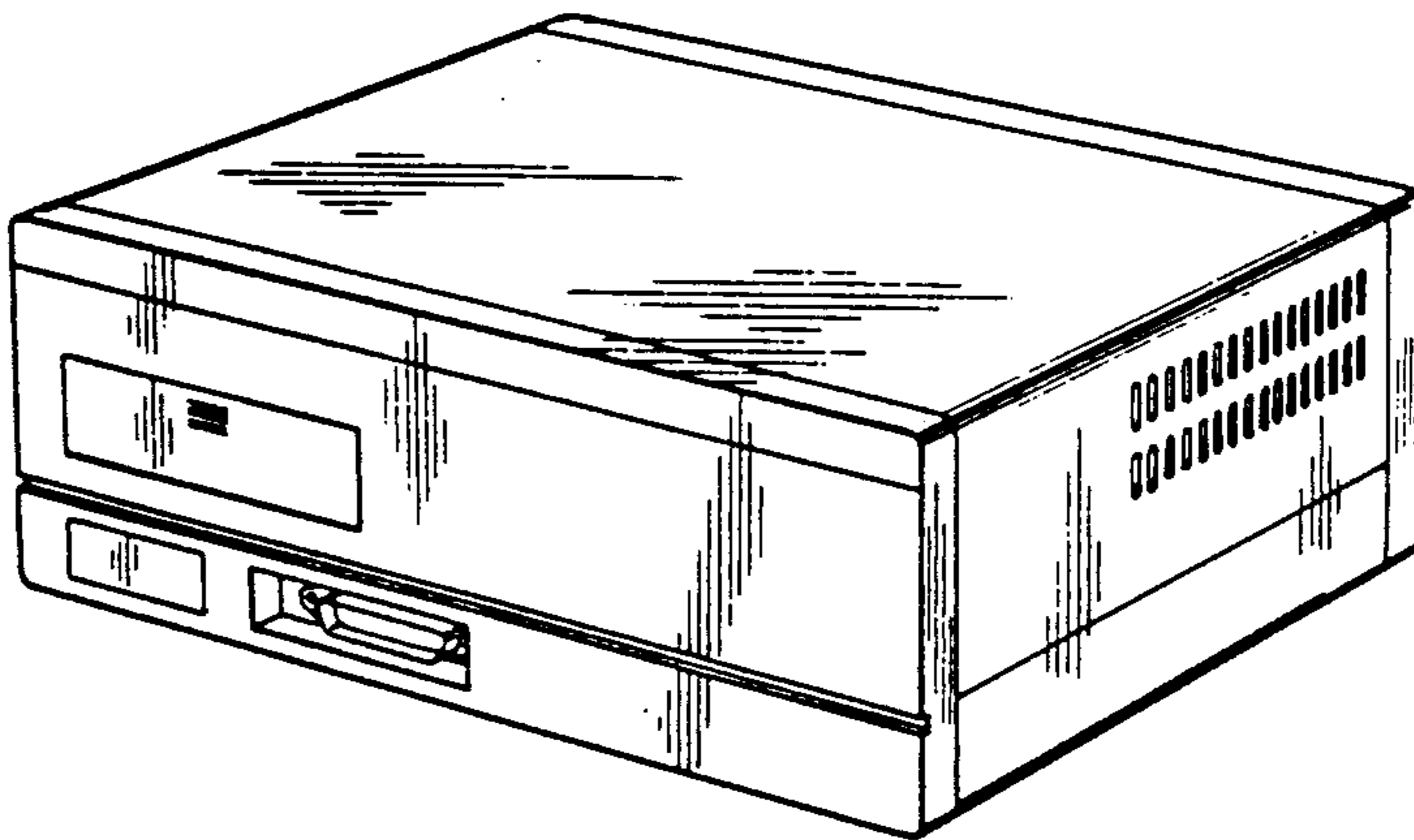


FIG. 1

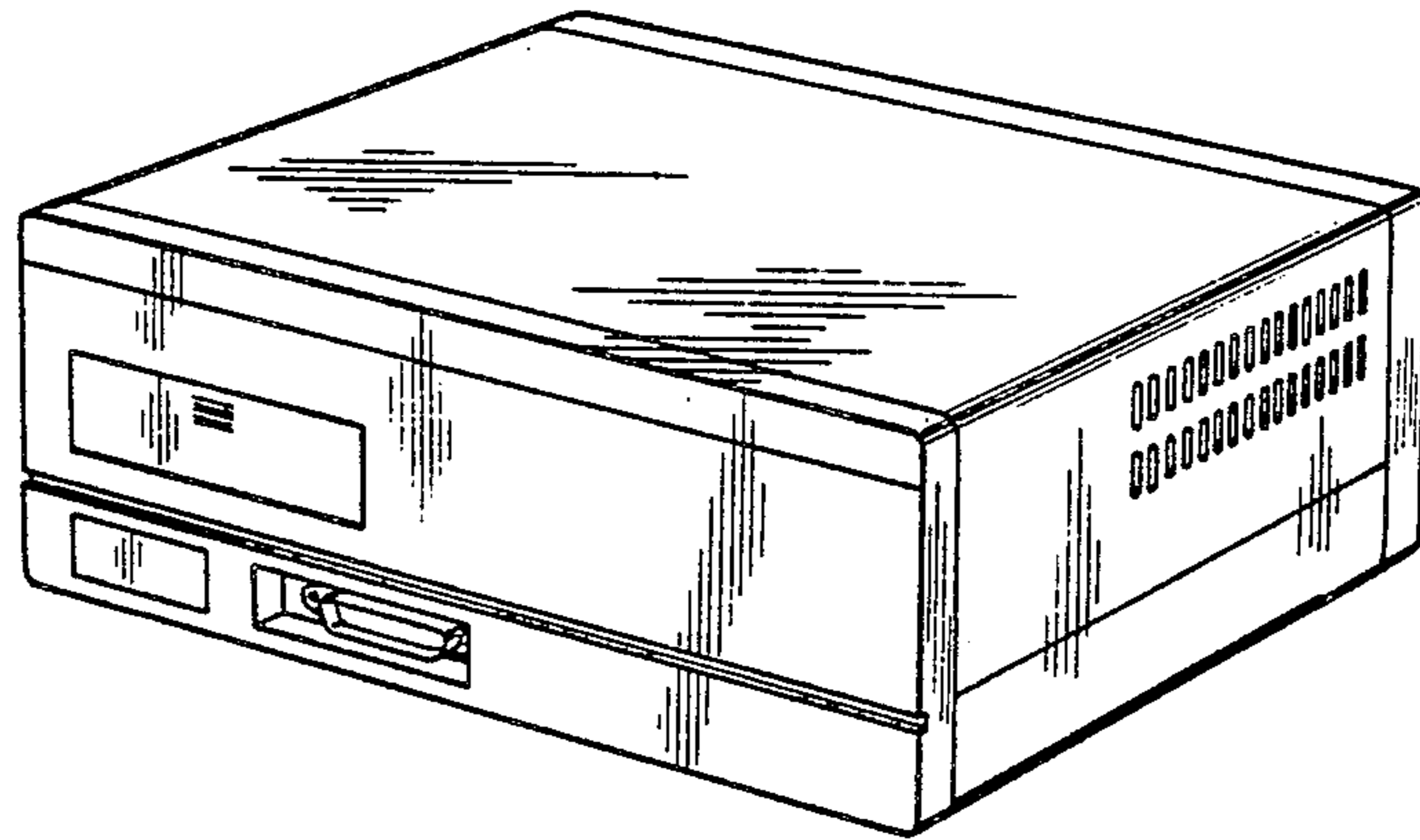


FIG. 2

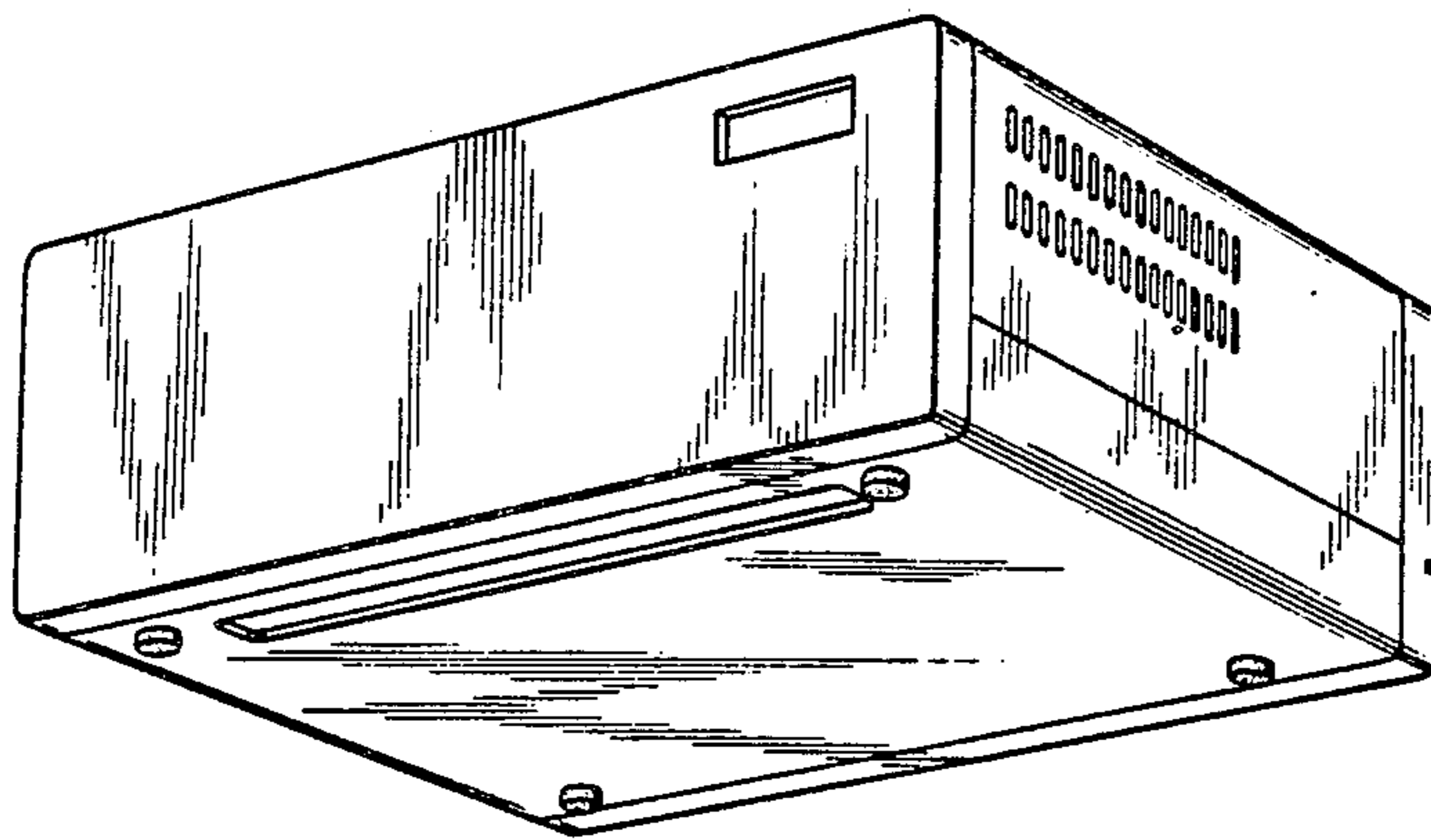


FIG. 3

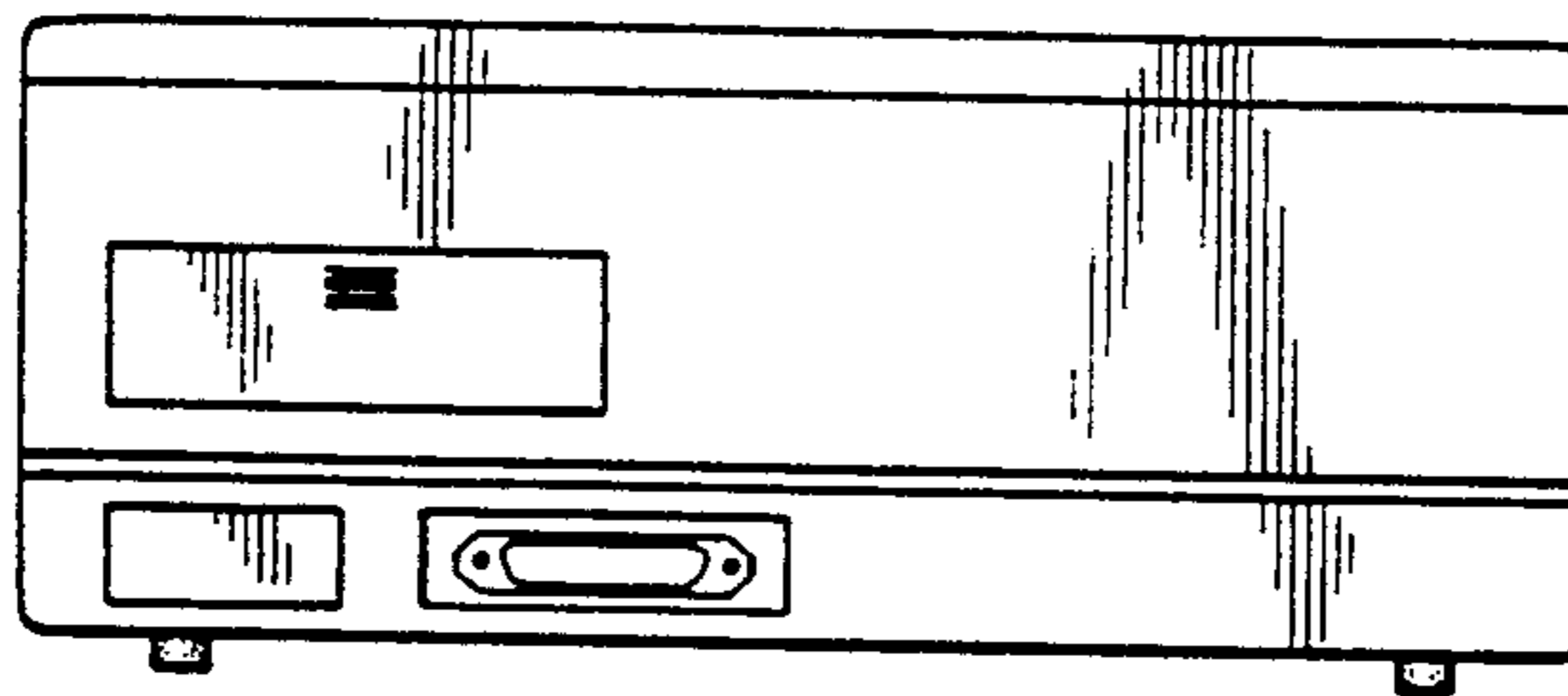


FIG. 4

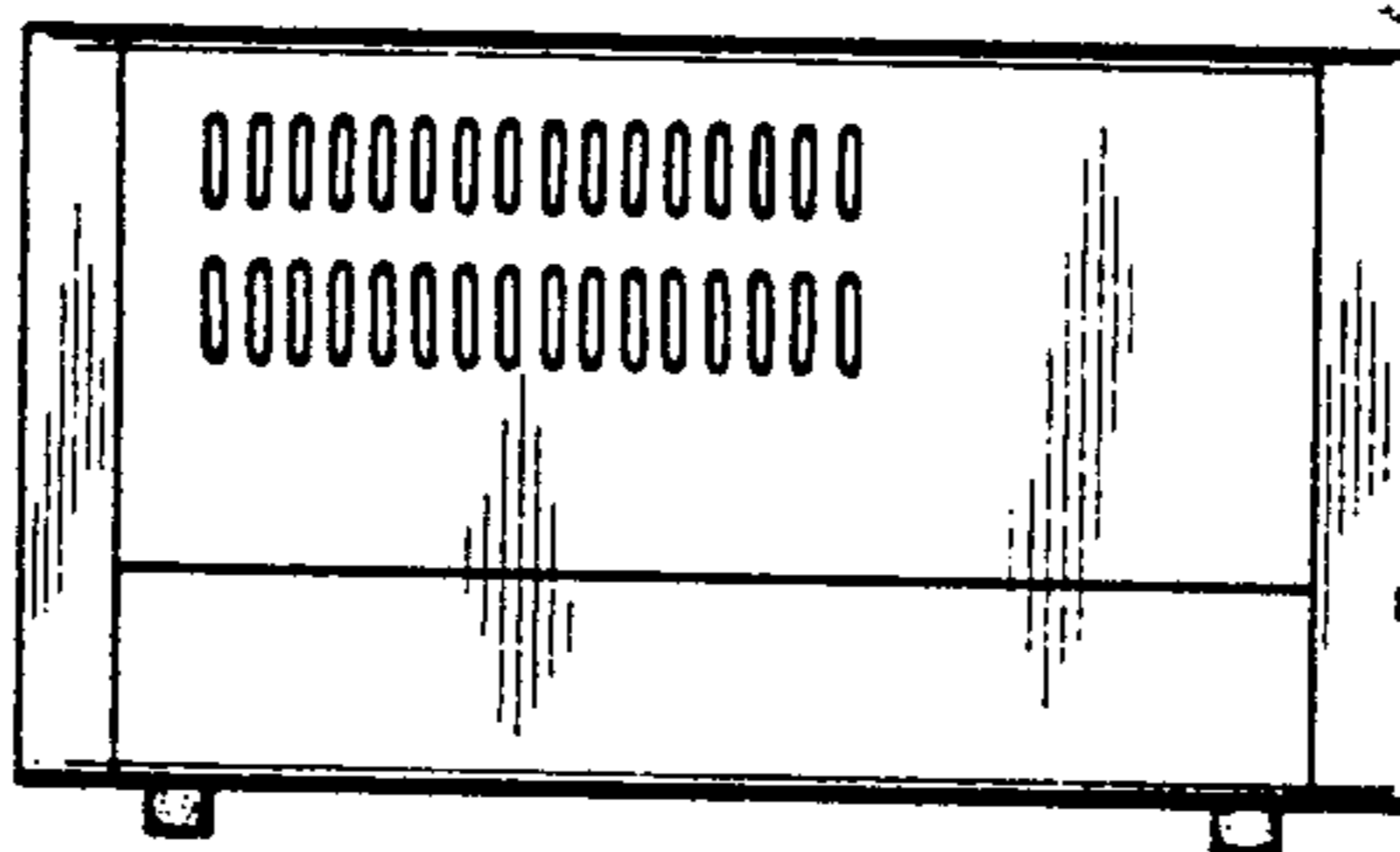


FIG. 5

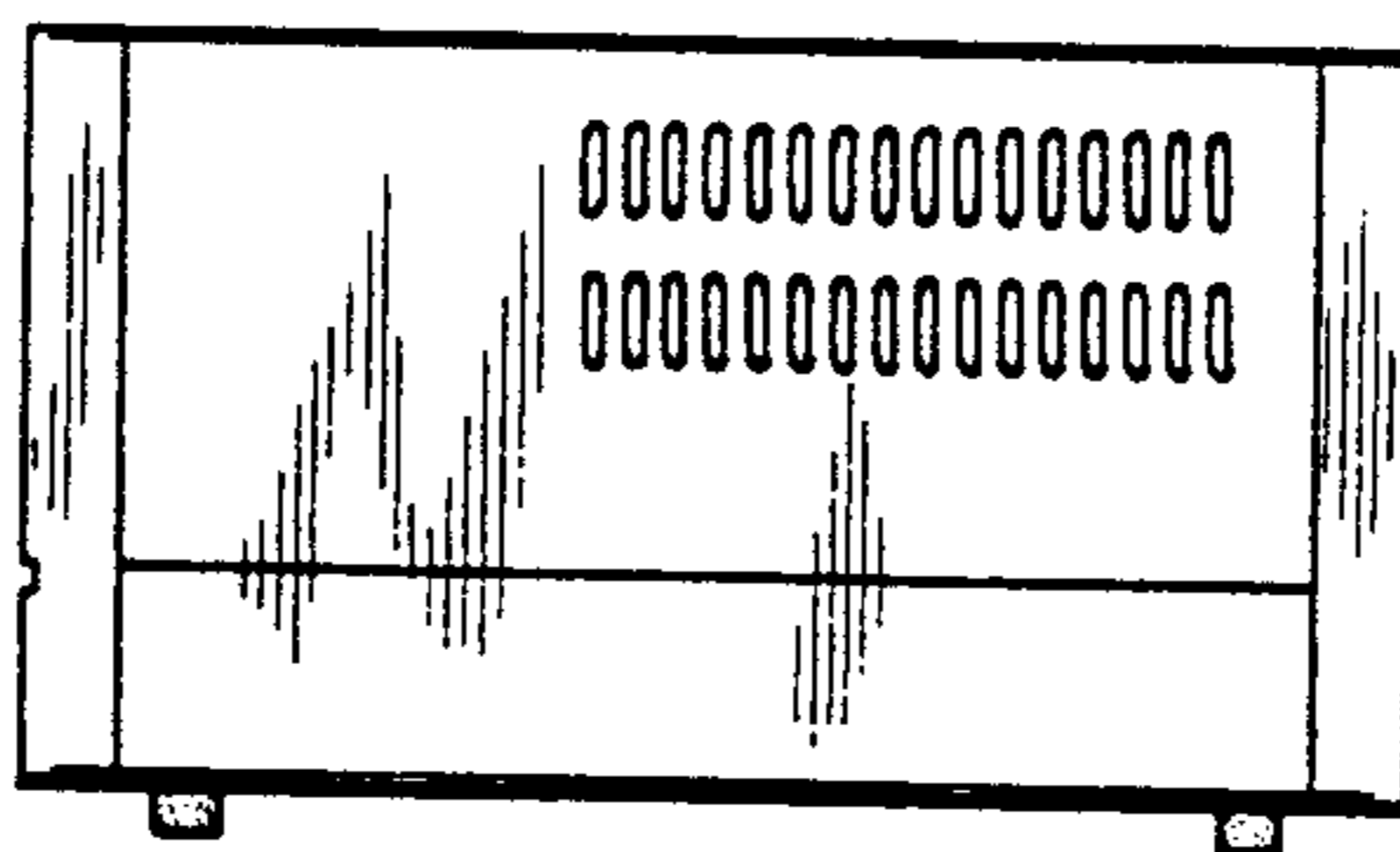


FIG. 6

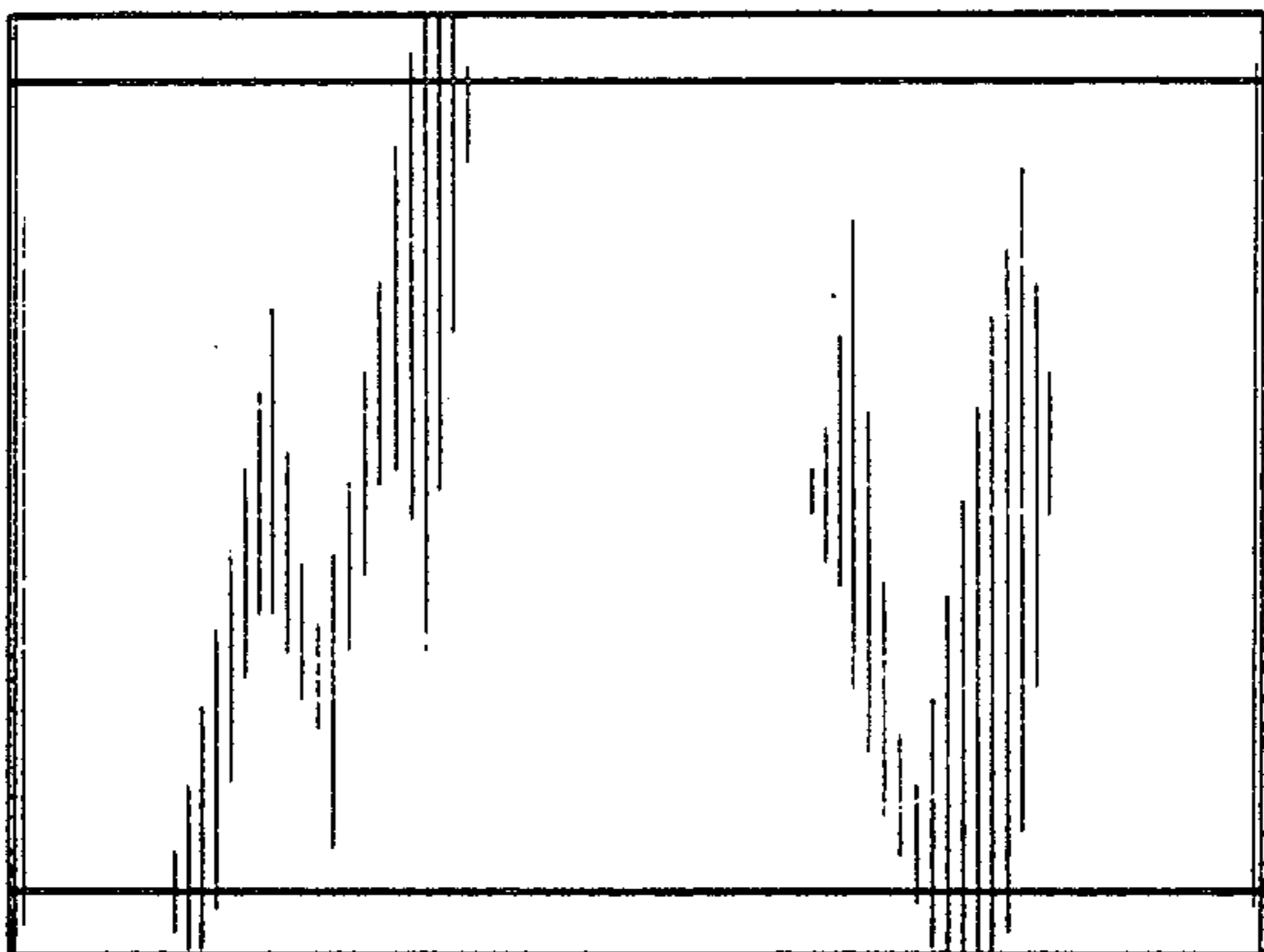


FIG. 7

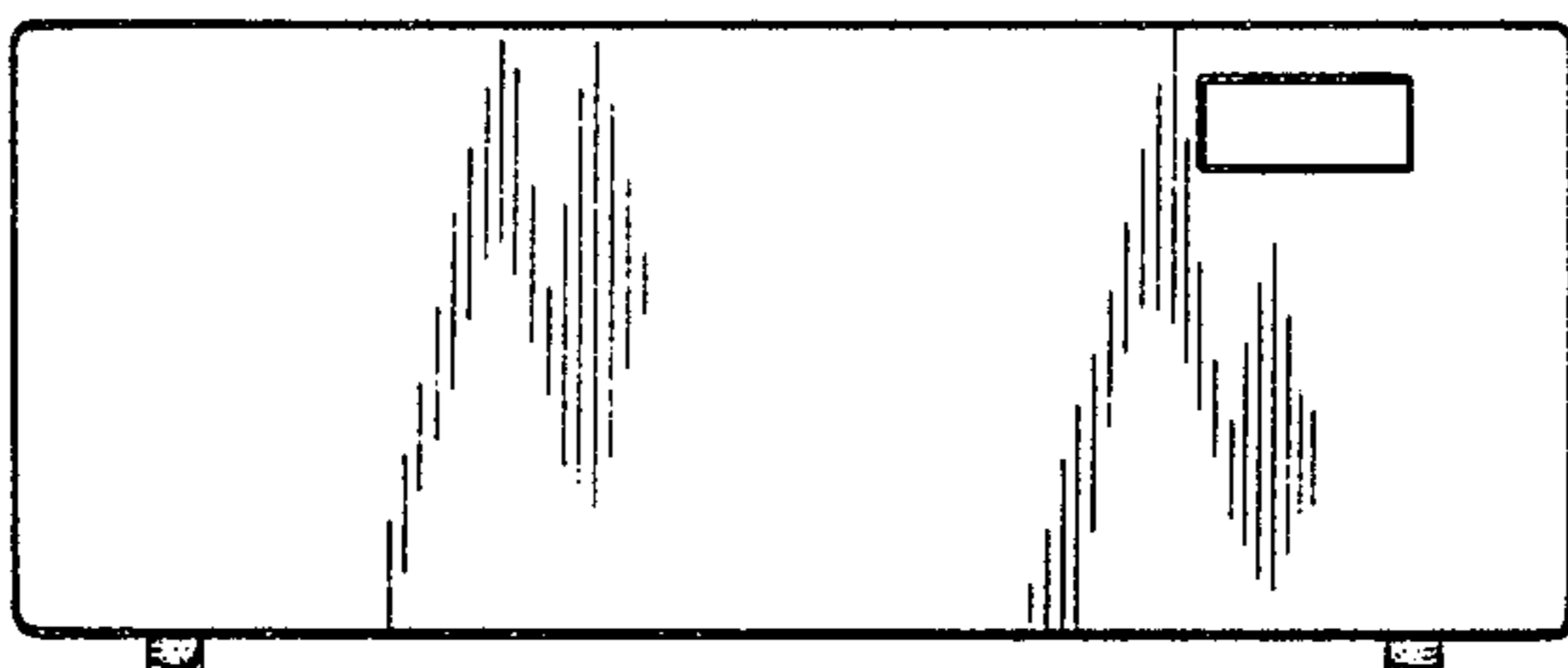


FIG. 8

