

United States Patent [19]
Hashimoto

[11] **Patent Number: Des. 293,240**
[45] **Date of Patent: ** Dec. 15, 1987**

[54] **FACSIMILE TRANSCEIVER/RECEIVER**

[75] **Inventor: Masanori Hashimoto, Kanagawa, Japan**

[73] **Assignee: Ricoh Company, Ltd., Tokyo, Japan**

[**] **Term: 14 Years**

[21] **Appl. No.: 760,494**

[22] **Filed: Jul. 30, 1985**

[30] **Foreign Application Priority Data**

Jan. 30, 1985 [JP] Japan 60-3110

[52] **U.S. Cl. D14/94; D16/31**

[58] **Field of Search D14/94, 99; D16/27, D16/30, 31, 32; 358/256, 285, 286**

[56] **References Cited**

U.S. PATENT DOCUMENTS

D. 262,967 2/1982 Fujiyama et al. D14/94

D. 263,592 3/1982 Barbera et al. D14/94
D. 267,799 2/1983 Esaki et al. D14/94
D. 272,625 2/1984 Suzuki et al. D14/94

Primary Examiner—Bernard Ansher
Assistant Examiner—Theodore M. Shooman
Attorney, Agent, or Firm—Oblon, Fisher, Spivak, McClelland & Maier

[57] **CLAIM**

The ornamental design for facsimile transceiver/receiver, as shown and described.

DESCRIPTION

FIG. 1 is a front and top right perspective view of a facsimile transceiver/receiver showing my new design; FIG. 2 is a front elevational view thereof; FIG. 3 is a top plan view thereof; FIG. 4 is a right side elevational view thereof; FIG. 5 is a left side elevational view thereof; FIG. 6 is a rear elevational view thereof; and FIG. 7 is a bottom plan view thereof.

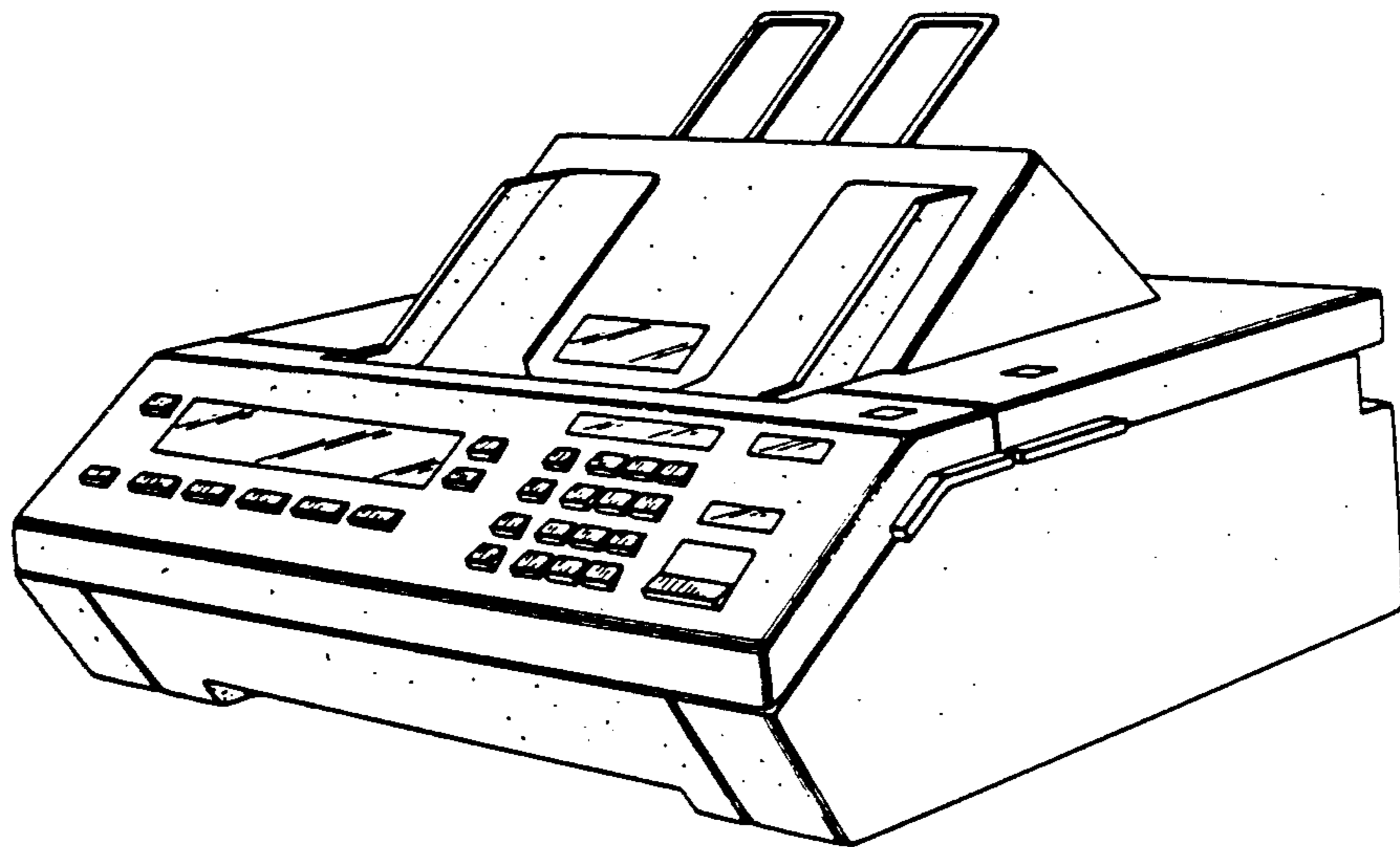


FIG. 1

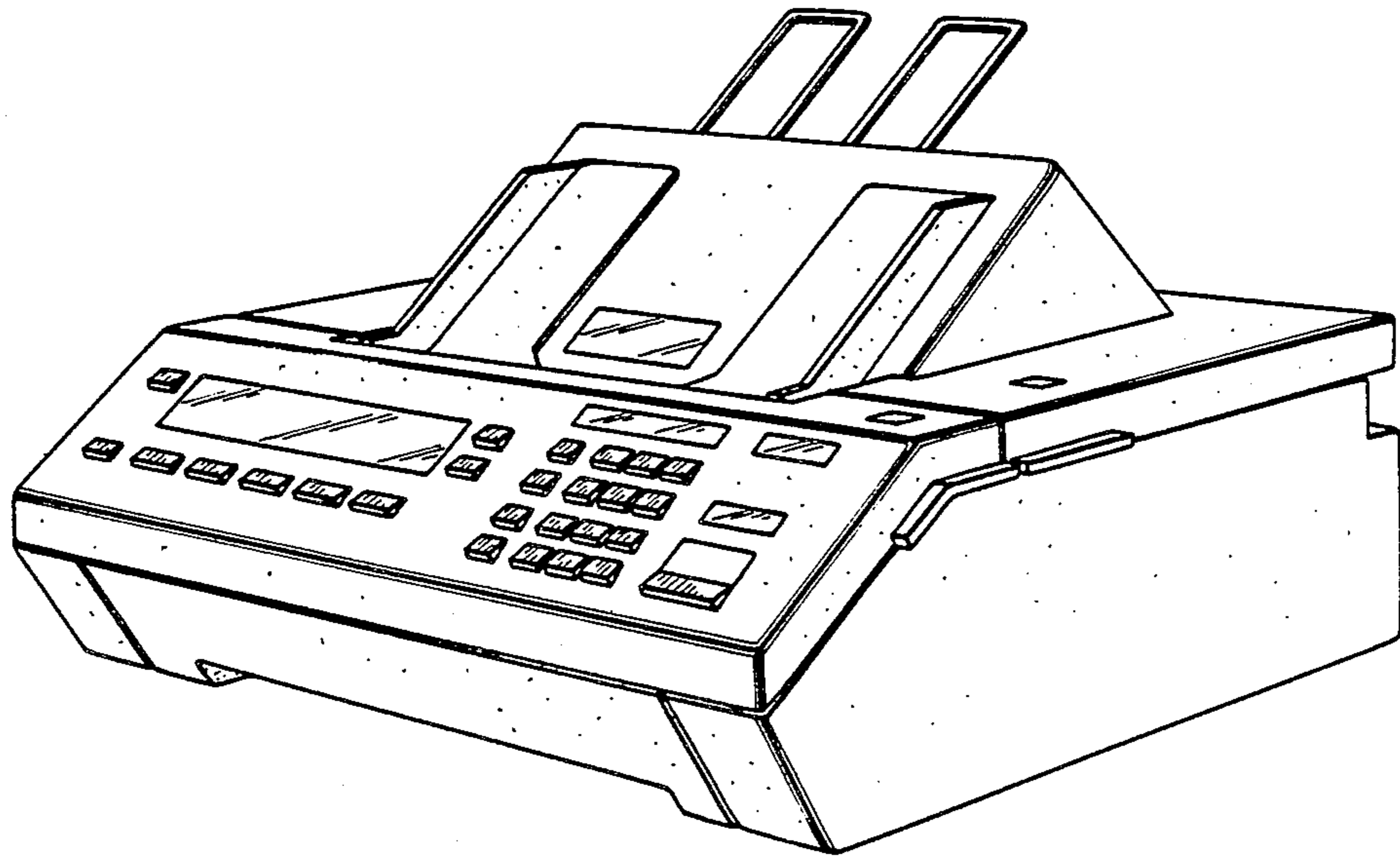


FIG. 2

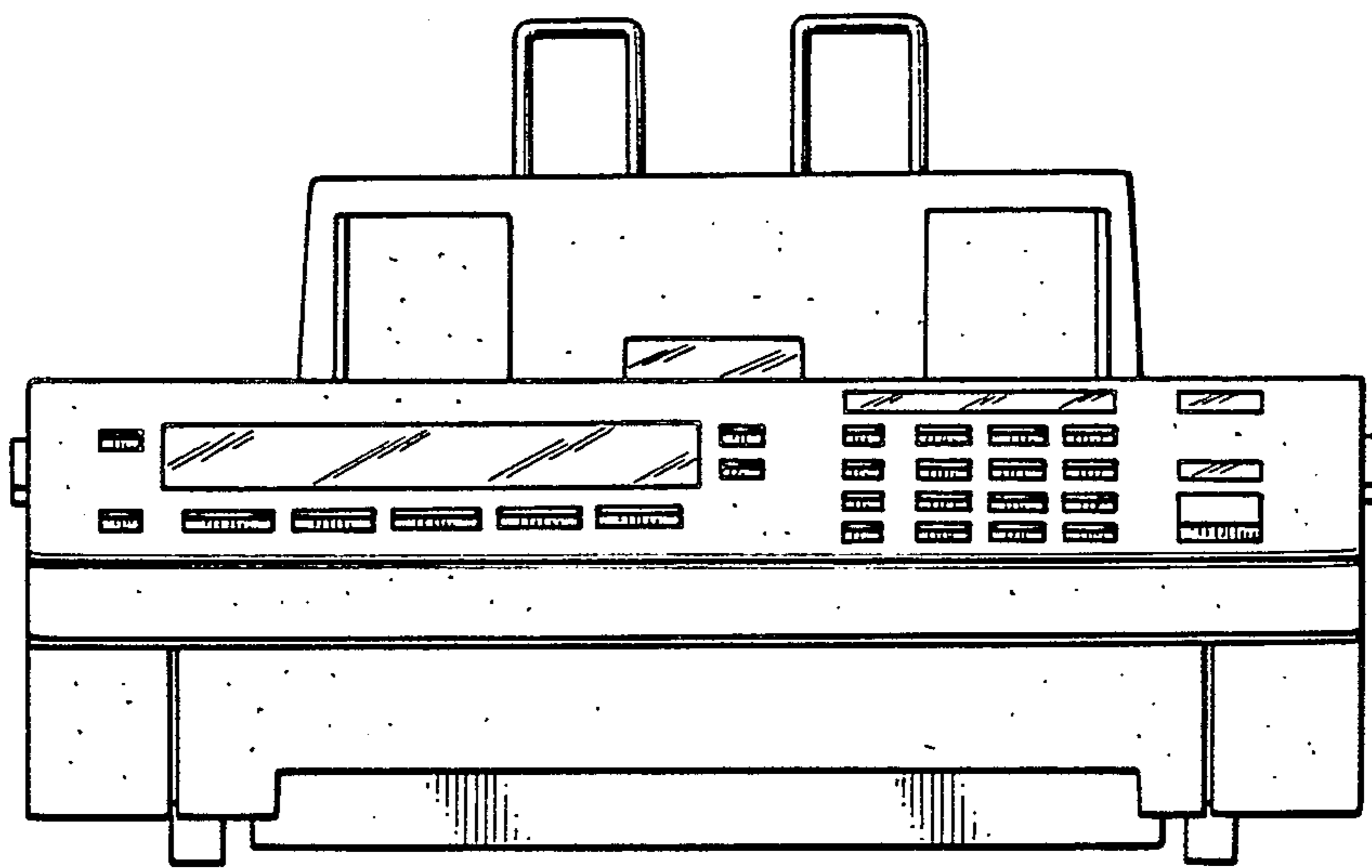


FIG. 3

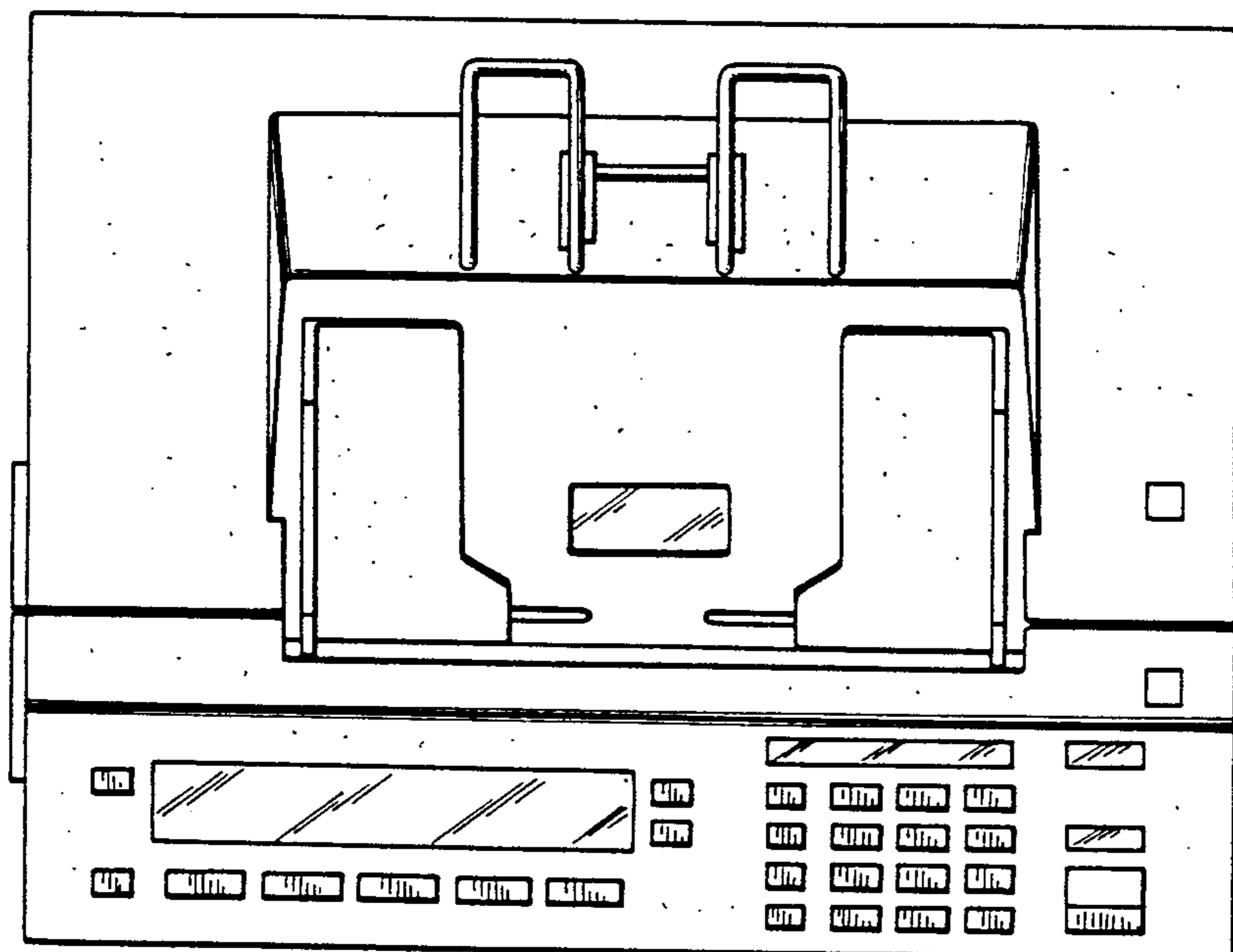


FIG. 4

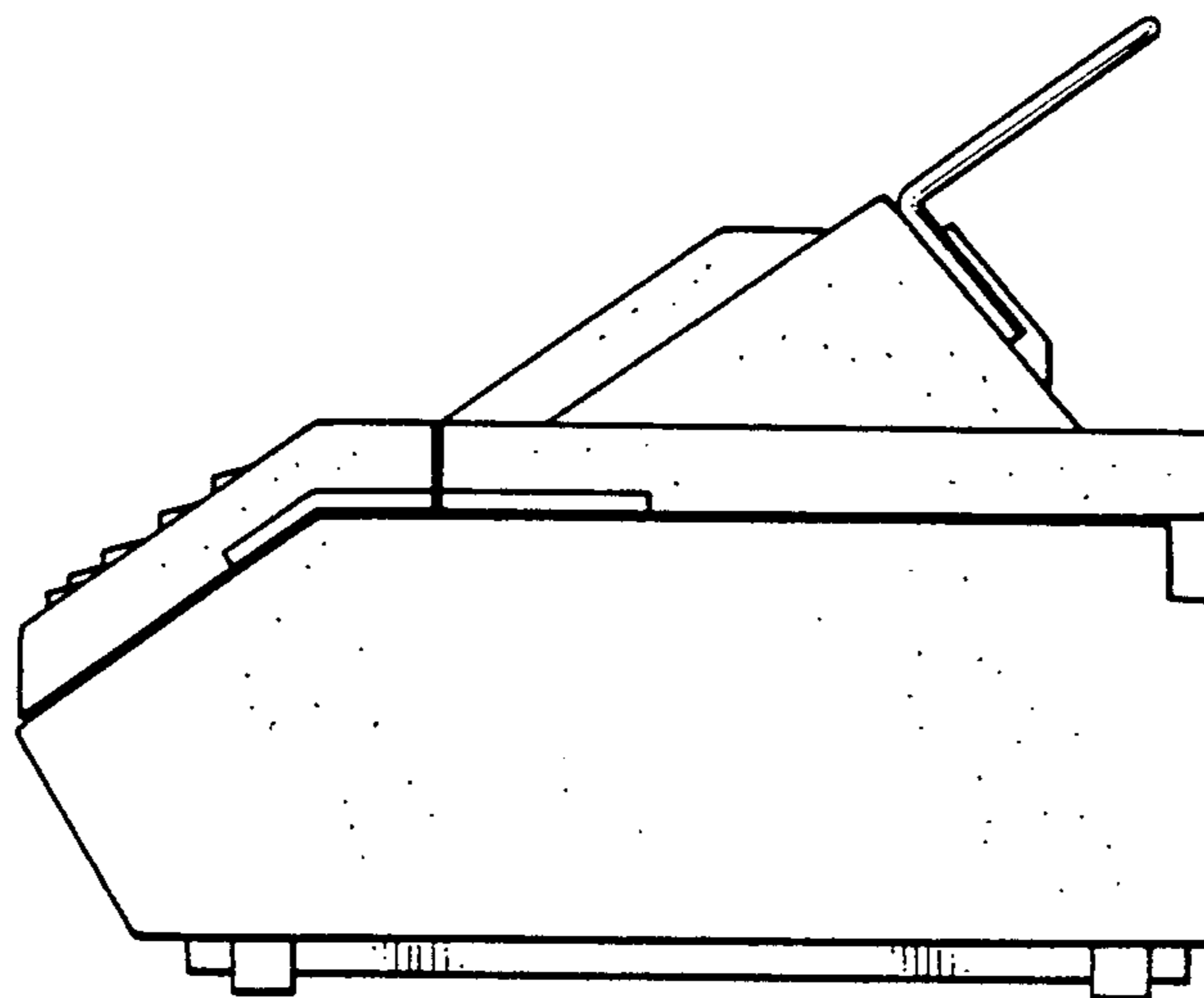


FIG. 5

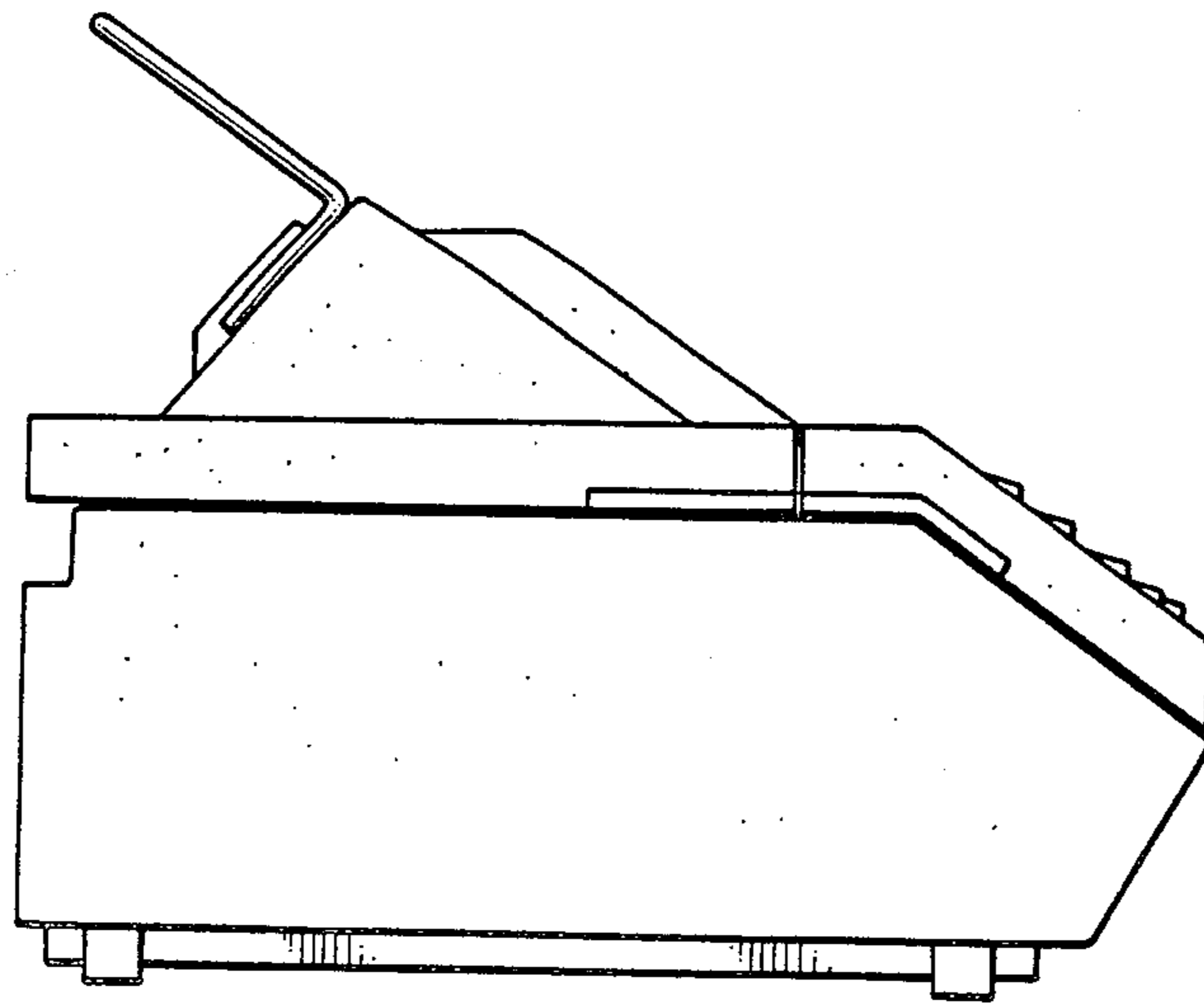


FIG. 6

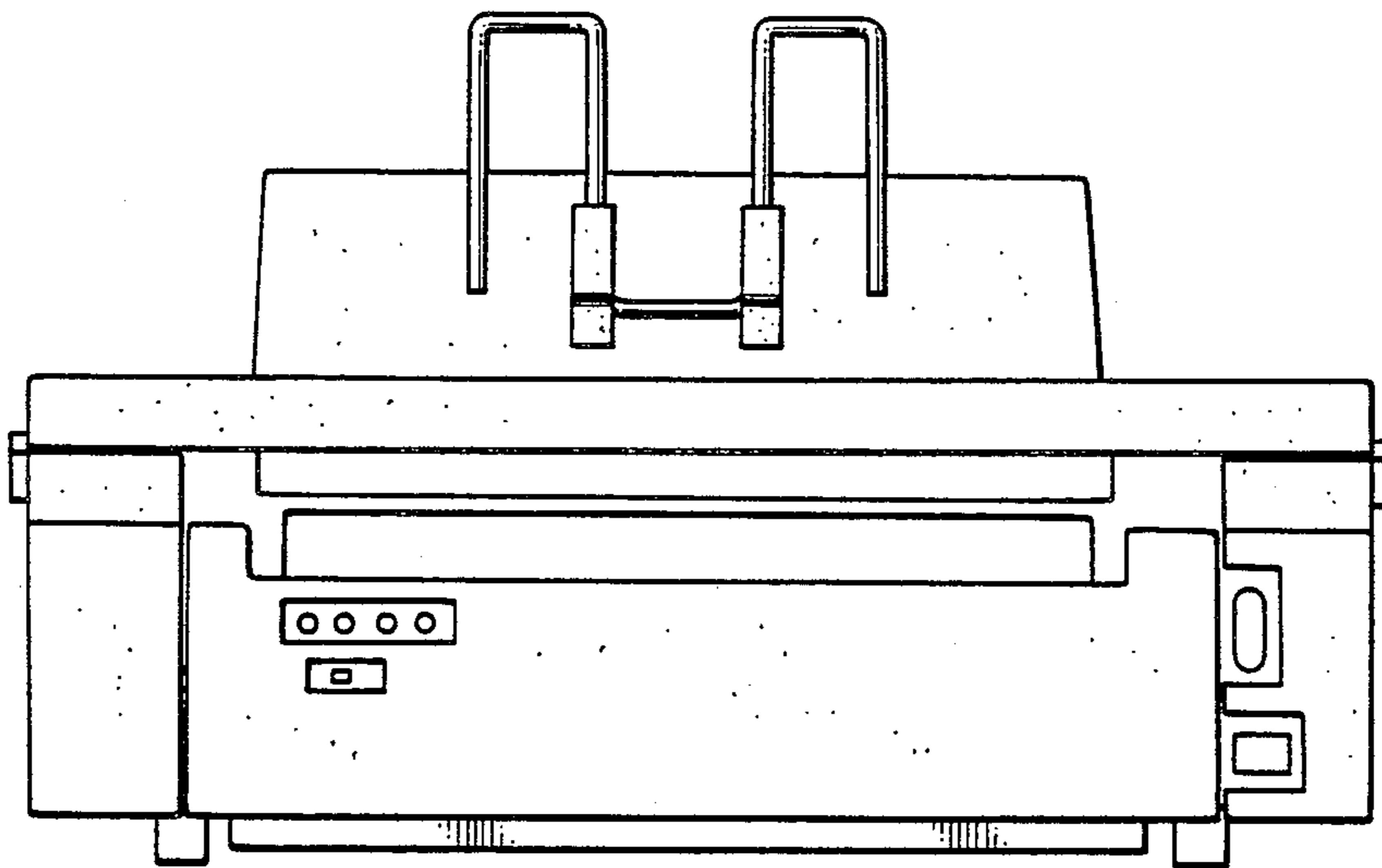


FIG. 7

