

United States Patent [19]
Loof

[11] **Patent Number: Des. 293,235**

[45] **Date of Patent: ** Dec. 15, 1987**

[54] **HOLDER FOR ELECTRICAL CABLE MARKERS**

[75] **Inventor: Torbjorn H. Loof, Otterbacken, Sweden**

[73] **Assignee: Partex Fabriksaktiebolag, Gullspang, Sweden**

[**] **Term: 14 Years**

[21] **Appl. No.: 648,107**

[22] **Filed: Sep. 7, 1984**

[30] **Foreign Application Priority Data**

Mar. 7, 1984 [SE] Sweden 84-0791

Mar. 7, 1984 [SE] Sweden 84-0792

Mar. 7, 1984 [SE] Sweden 84-0793

[52] **U.S. Cl. D13/13; D8/71**

[58] **Field of Search D8/71; D13/13; 211/60.1, 61, 67**

[56] **References Cited**

U.S. PATENT DOCUMENTS

4,520 8/1871 Cooley 211/67

D. 200,965 4/1965 Erbguth D11/147

D. 229,997 1/1974 Hoffman D8/71

Primary Examiner—Bernard Ansher

Assistant Examiner—Terry Pfeffer

Attorney, Agent, or Firm—Sughrue, Mion, Zinn, Macpeak and Seas

[57] **CLAIM**

The ornamental design for a holder for electrical cable markers, as shown and described.

DESCRIPTION

FIG. 1 is a top, perspective view of a holder for electrical cable markers showing my new design; and FIG. 2 is a bottom, perspective view thereof.

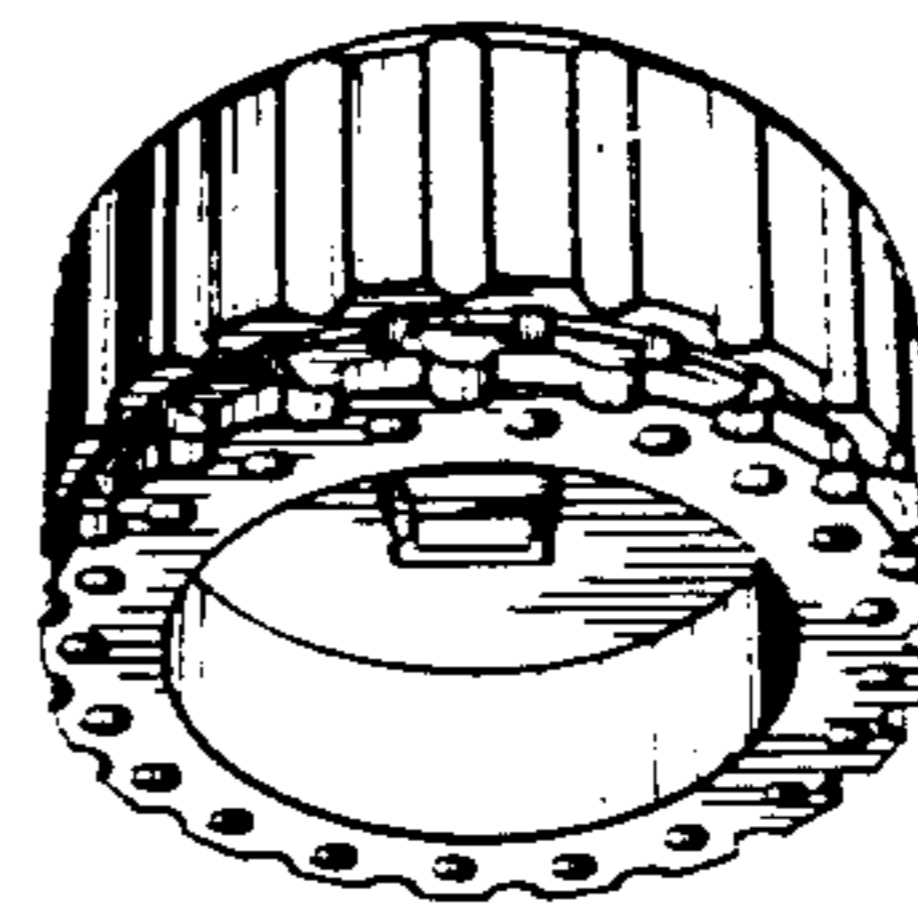
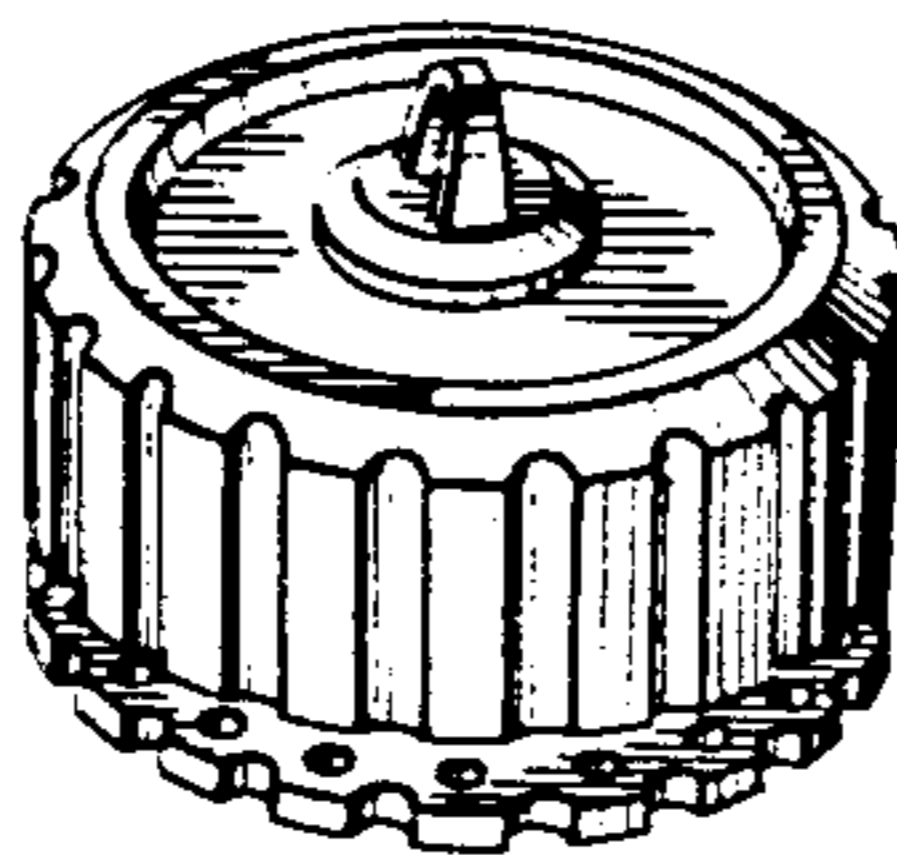


FIG. 1

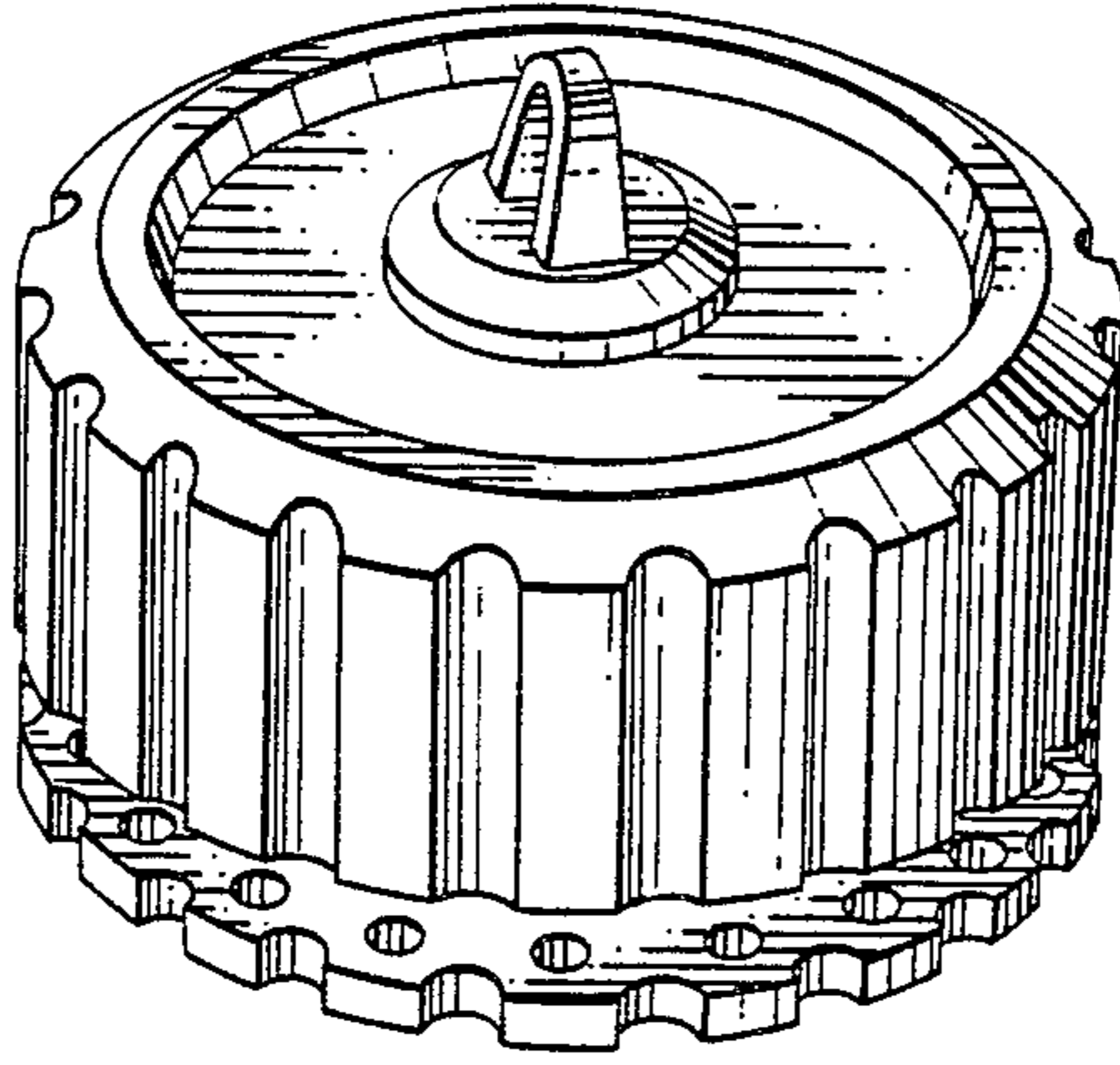


FIG. 2

