

United States Patent [19]
Helou et al.

[11] **Patent Number: Des. 293,234**
[45] **Date of Patent: ** Dec. 15, 1987**

[54] **BATTERY**
[75] **Inventors: Garry Helou, Merrylands; Kevin Whitley, South Hurstville, both of Australia**
[73] **Assignee: Repco Limited, Melbourne, Australia**
[**] **Term: 14 Years**
[21] **Appl. No.: 776,692**
[22] **Filed: Sep. 16, 1985**
[30] **Foreign Application Priority Data**
Mar. 18, 1985 [AU] Australia 0661/85
[52] **U.S. Cl. D13/8**
[58] **Field of Search D13/8-11;**
429/48, 96, 100, 163-165, 175, 176, 187, 159;
307/150; 320/2-5

[56] **References Cited**
U.S. PATENT DOCUMENTS
D. 93,366 9/1934 Ward et al. D13/9

3,397,089 8/1968 Sasagawa et al. 429/176
4,562,128 12/1985 Humphreys et al. 429/175

Primary Examiner—Wallace R. Burke
Assistant Examiner—C. E. Heflin
Attorney, Agent, or Firm—Nies, Webner, Kurz & Bergert

[57] **CLAIM**

The ornamental design for a battery, as shown and described.

DESCRIPTION

FIG. 1 is a top, front and left side perspective view of the battery showing our new design;
FIG. 2 is a top plan view thereof shown on a reduced scale;
FIG. 3 is a front elevational view thereof shown on a reduced scale;
FIG. 4 is a bottom plan view thereof shown on a reduced scale;
FIG. 5 is a side elevational view thereof shown on a reduced scale, the opposite side being identical.

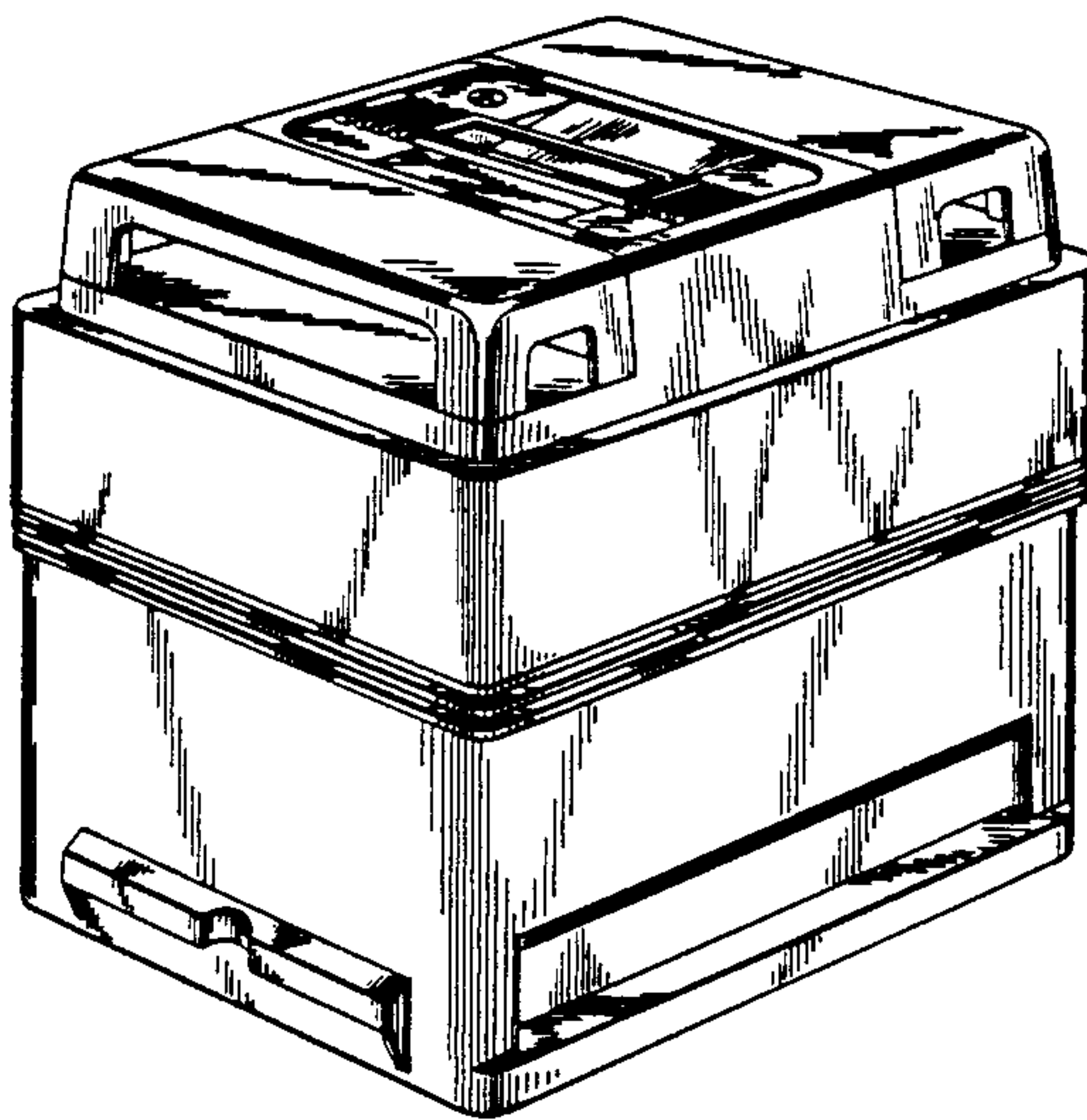
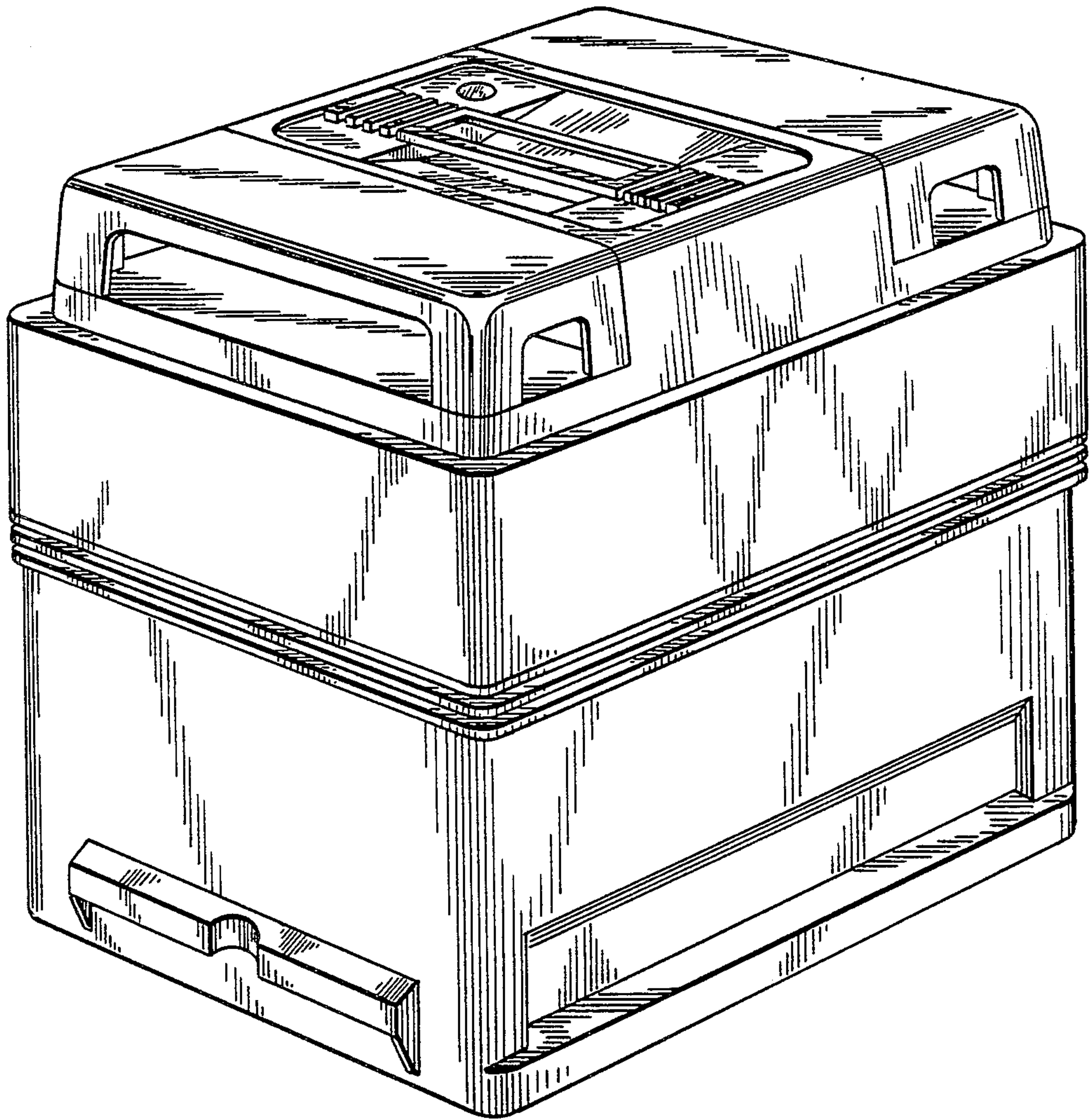


Fig. 1



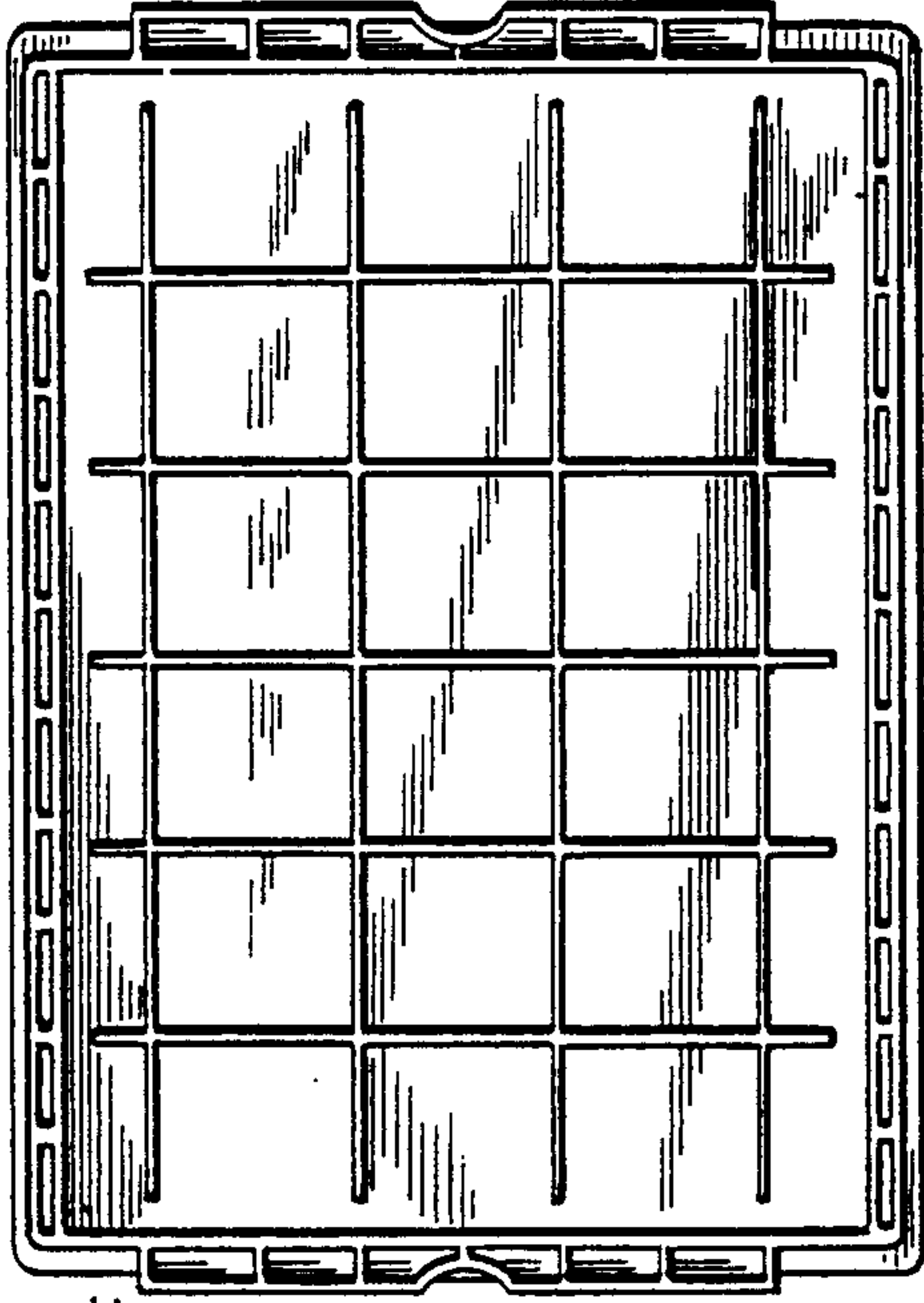


Fig. 4

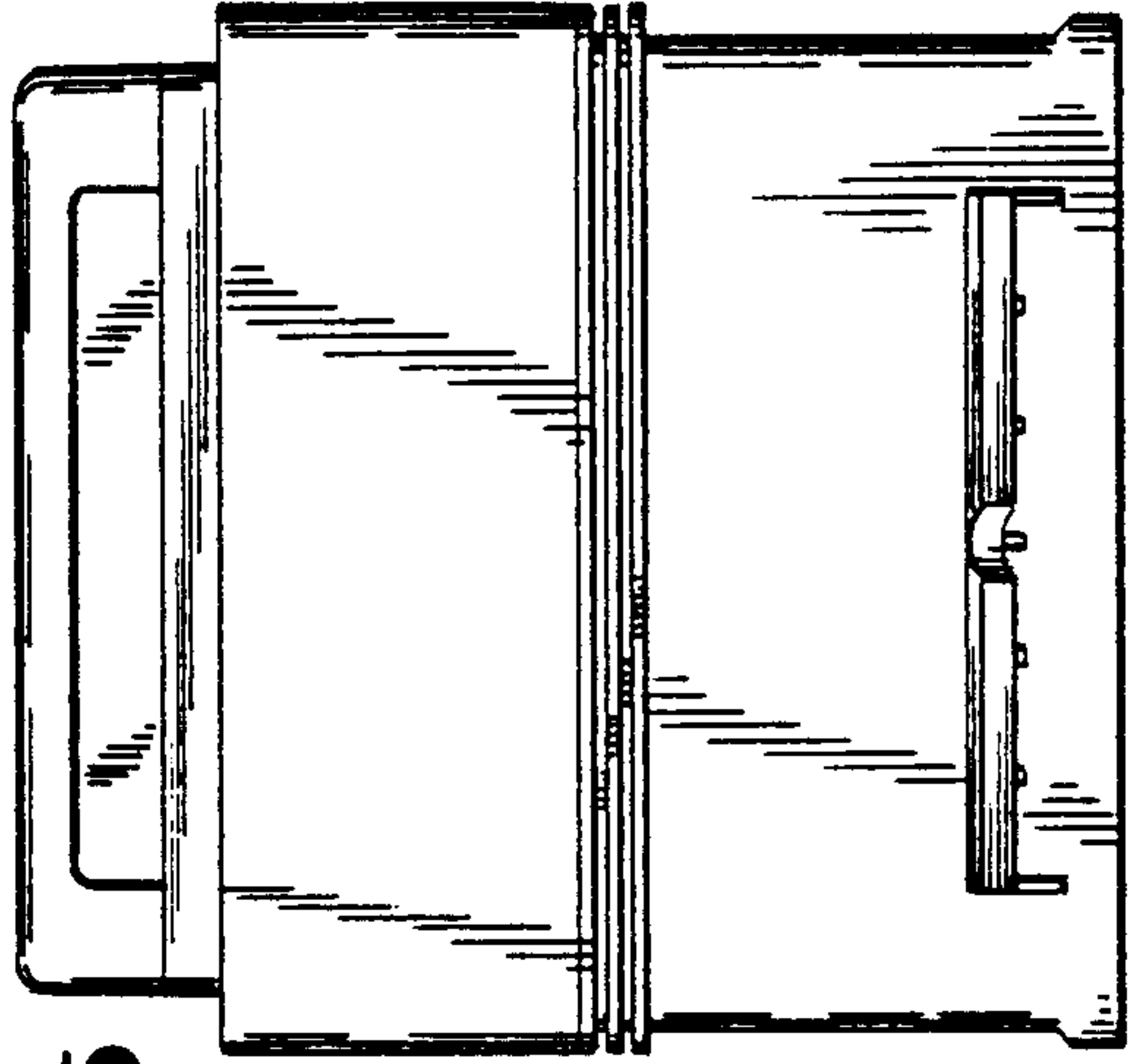


Fig. 5

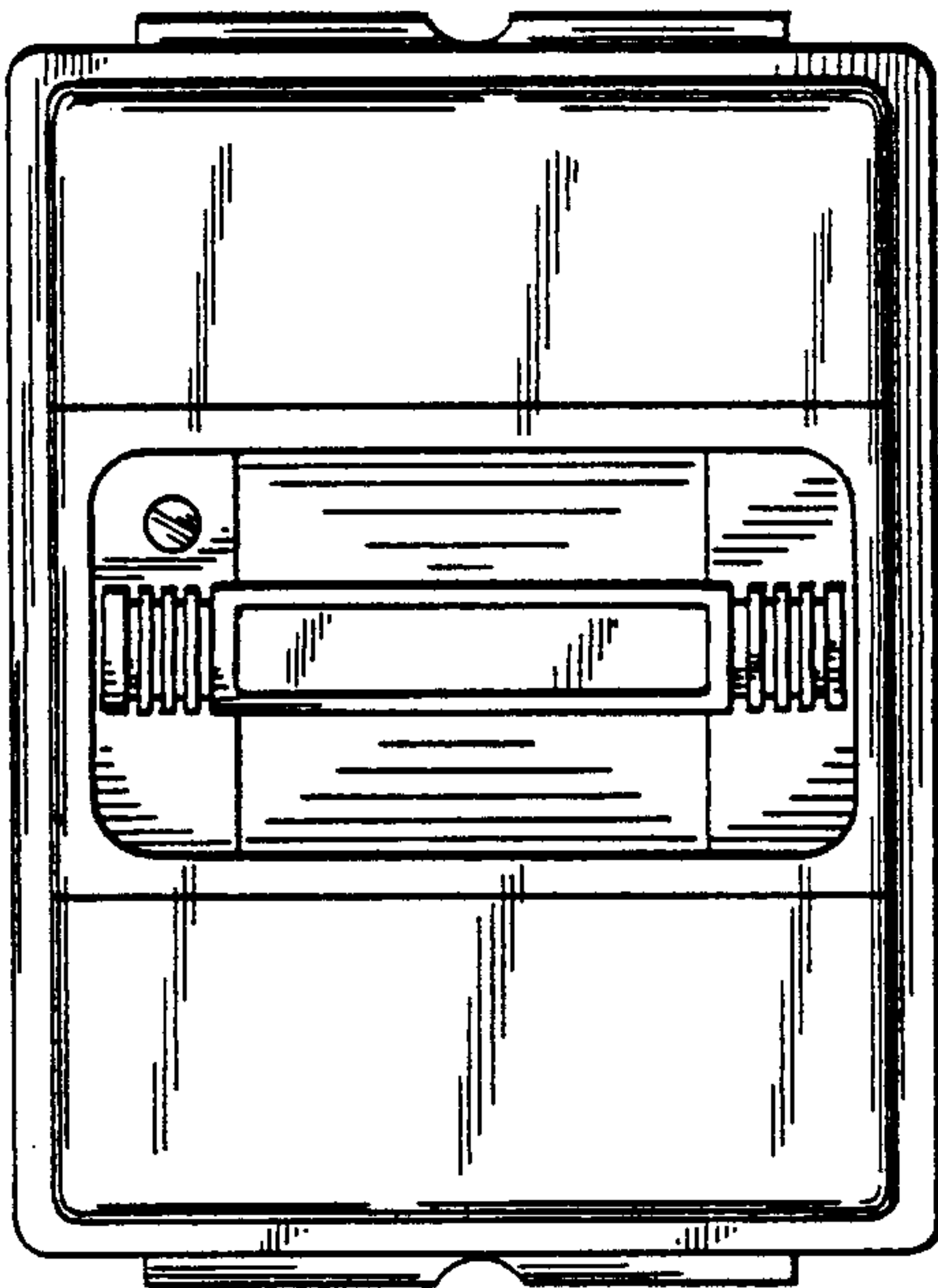


Fig. 2

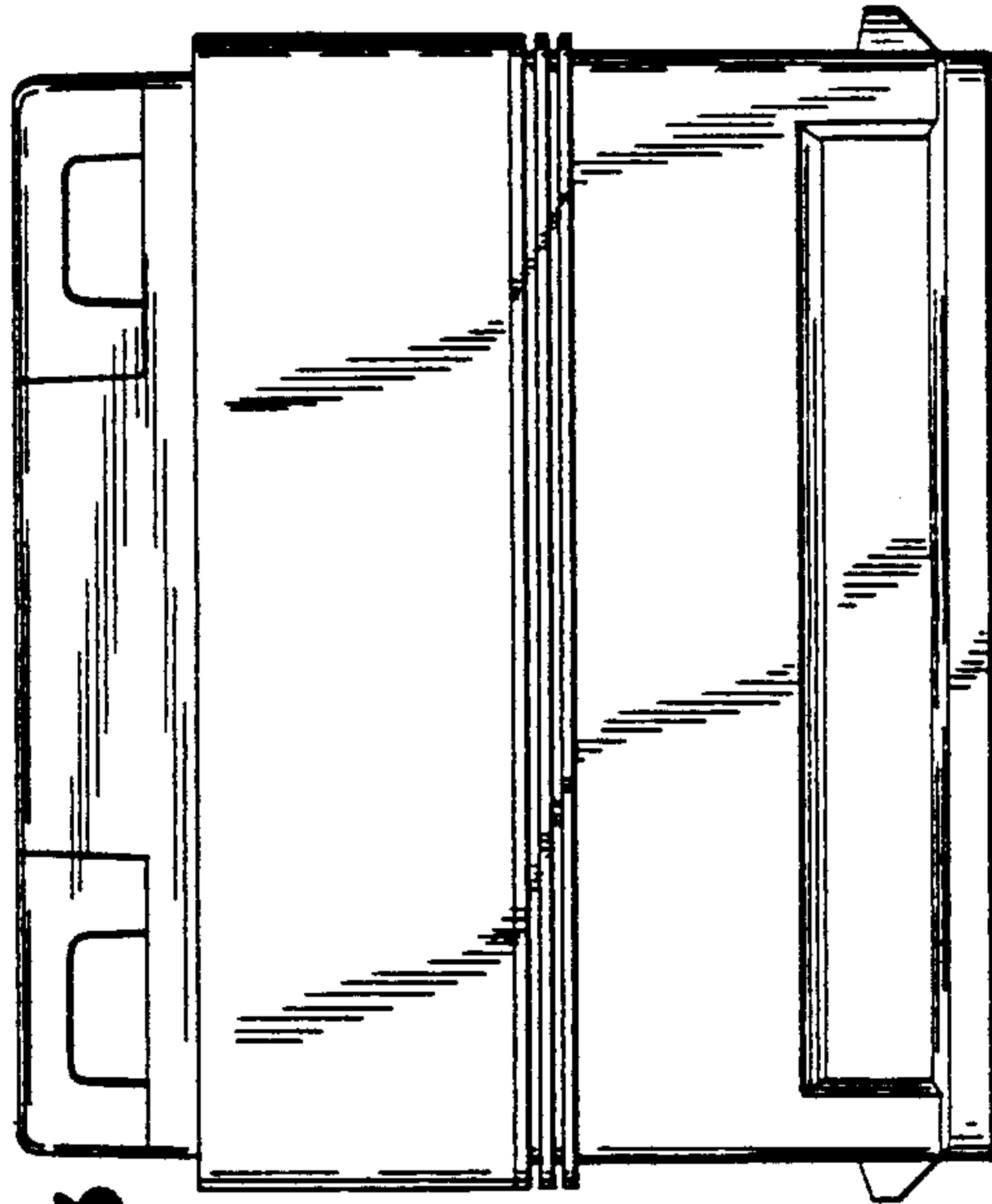


Fig. 3