

United States Patent [19]
McElhaney

[11] **Patent Number: Des. 293,227**
[45] **Date of Patent: ** Dec. 15, 1987**

- [54] **DOLL STROLLER**
[75] **Inventor: Craig J. McElhaney, East Aurora, N.Y.**
[73] **Assignee: The Quaker Oats Company, Chicago, Ill.**
[**] **Term: 14 Years**
[21] **Appl. No.: 762,138**
[22] **Filed: Aug. 2, 1985**
[52] **U.S. CL D12/129; D21/71; D21/134**
[58] **Field of Search D12/129; D21/71, 109, D21/134; 446/227, 269, 359, 450, 460, 465; D34/12; 280/642, 650**

- D. 157,085 1/1950 Pinkerton D12/129
D. 160,598 10/1950 Heideman D12/129
3,953,046 4/1976 Johansson D12/129
3,958,363 5/1976 Copeland et al. D12/129

OTHER PUBLICATIONS

Mattel Toys 1984 catalog, p. 62, #9284, Doll Stroller.

Primary Examiner—Charles A. Rademaker
Attorney, Agent, or Firm—Cumpston & Shaw

[57] **CLAIM**

The ornamental design for a doll stroller, substantially as shown and described.

DESCRIPTION

FIG. 1 right-side elevational view of a stroller showing my new design, the left side being substantially a mirror image;

FIG. 2 is a bottom plan view thereof;

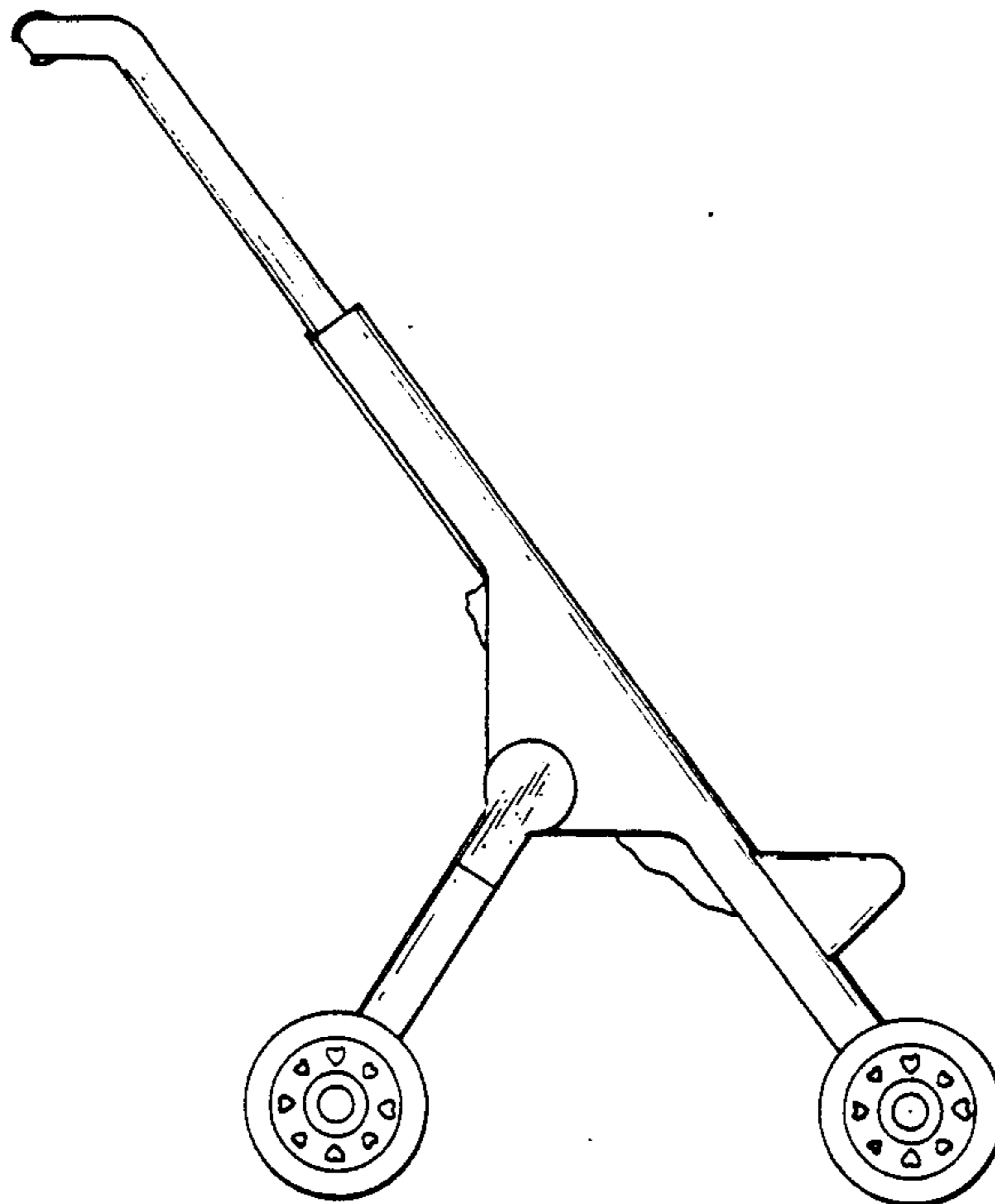
FIG. 3 is a front elevational view thereof; and

FIG. 4 is a rear elevational view thereof.

[56] **References Cited**

U.S. PATENT DOCUMENTS

- D. 79,294 8/1929 Haupt D12/129
D. 126,855 4/1941 Peltier D12/129



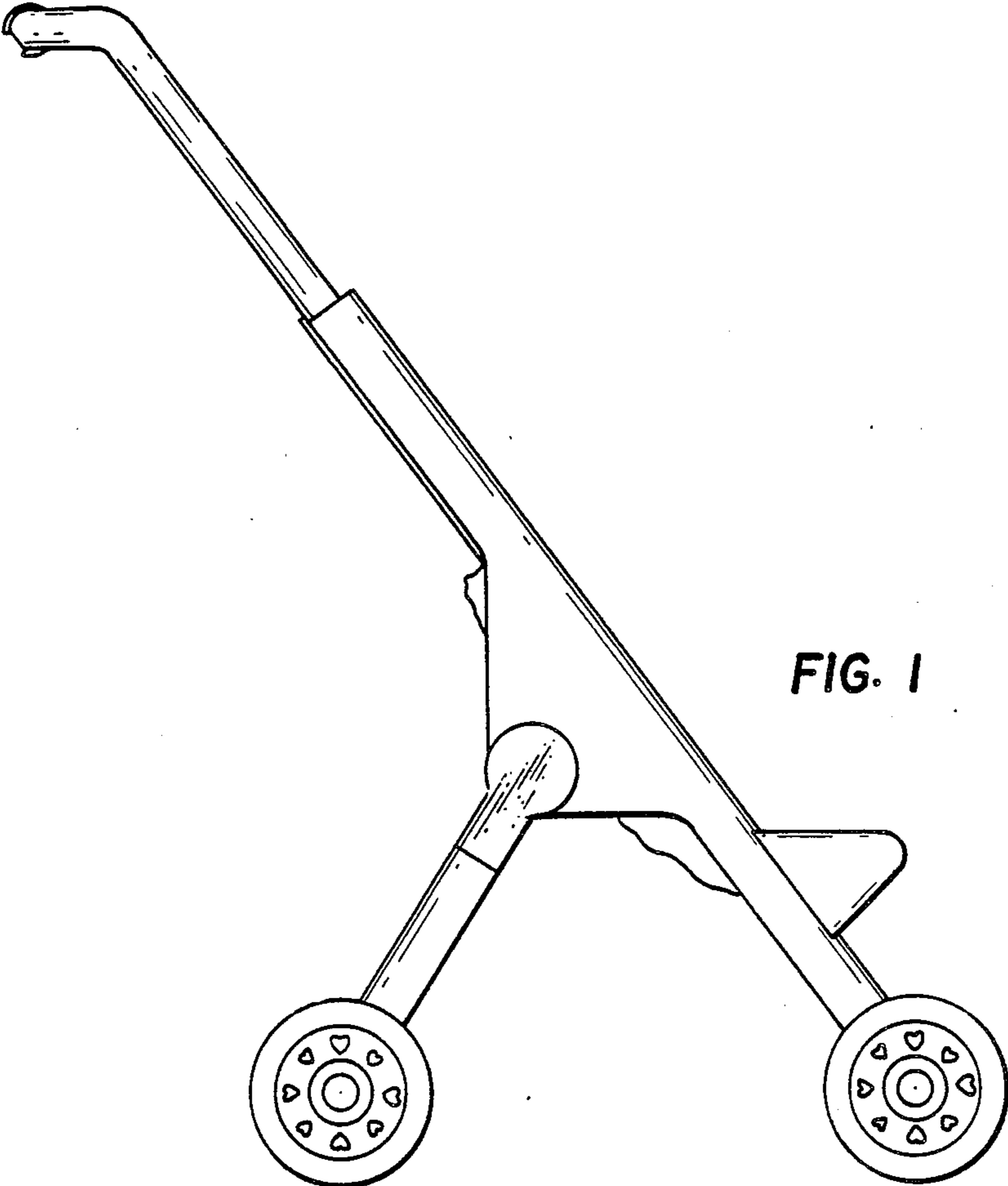


FIG. 1

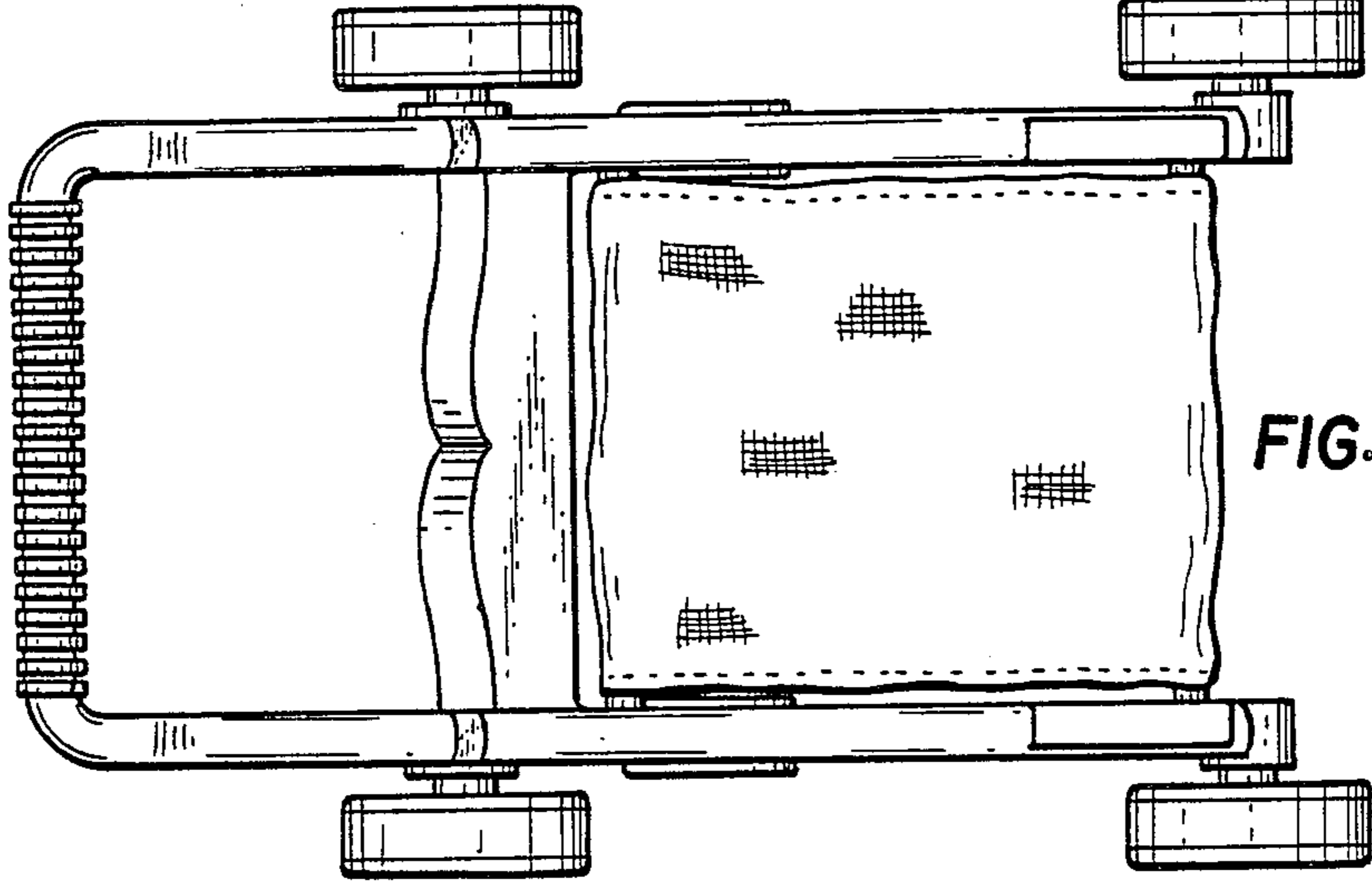


FIG. 2

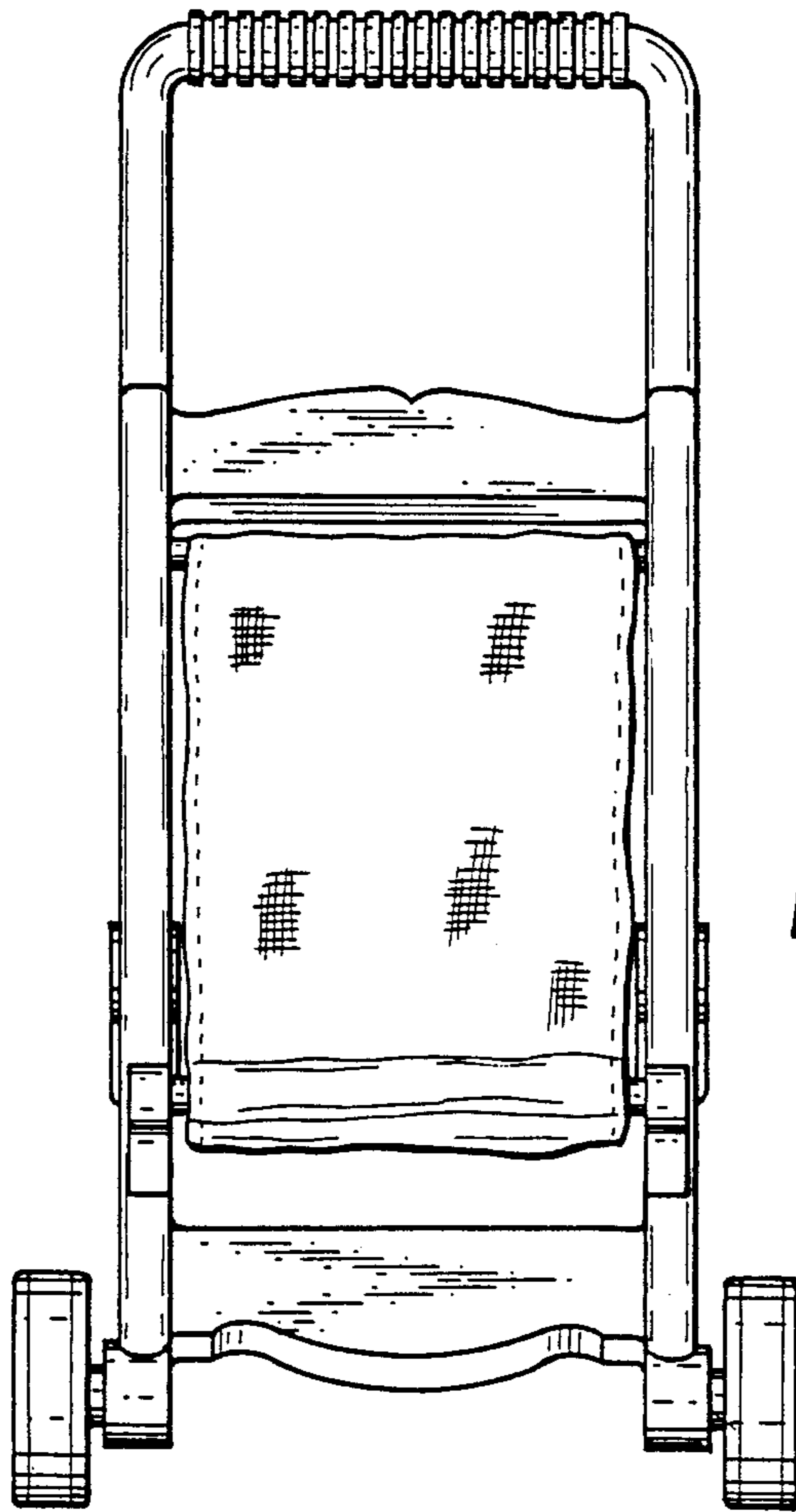


FIG. 3

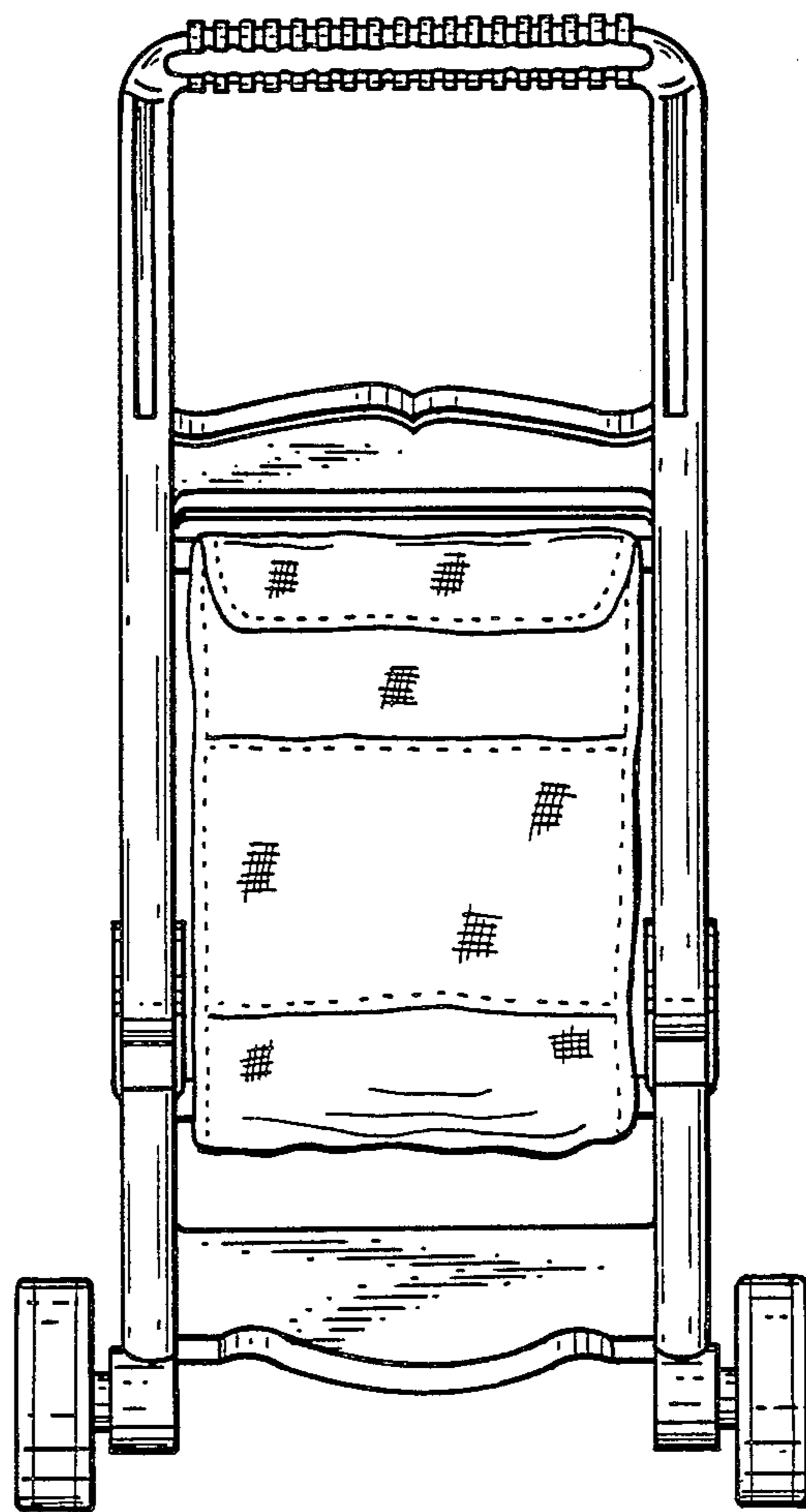


FIG. 4