

[54] **LINER FOR VEHICLE CARGO SPACE**

[76] **Inventor: Richard L. Whitson, Box 363, R.R. 6, Lawrence, Kans. 66044**

[**] **Term: 14 Years**

[21] **Appl. No.: 725,482**

[22] **Filed: Apr. 22, 1985**

[52] **U.S. Cl. D12/98; D12/155**

[58] **Field of Search D12/98, 155; 296/39 R**

[56] **References Cited**

U.S. PATENT DOCUMENTS

D. 271,009 10/1983 Fishler D12/98
D. 289,513 4/1987 Hankinson, Jr. D12/155

OTHER PUBLICATIONS

J. C. Whitney catalog No. 454D, 2/85, p. 76, Full-Cov-

erage 1-pc. Bed Protectors for all Pickup Trucks, top of page.

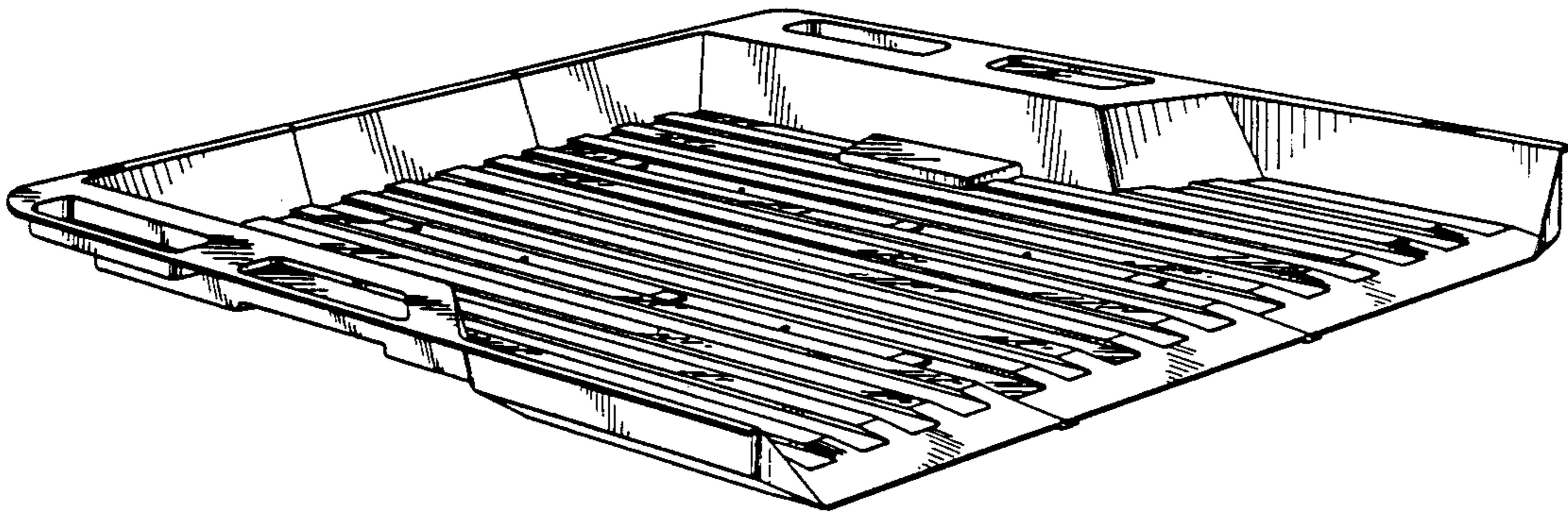
Primary Examiner—James M. Gandy
Attorney, Agent, or Firm—Kokjer, Kircher, Bradley, Wharton, Bowman & Johnson

[57] **CLAIM**

The ornamental design for a liner for vehicle cargo space, as shown and described.

DESCRIPTION

FIG. 1 is a perspective view of a liner for vehicle cargo space embodying my new design;
FIG. 2 is a side elevational view thereof;
FIG. 3 is a side elevational view thereof showing the side opposite that appearing in FIG. 2;
FIG. 4 is a rear elevational view thereof;
FIG. 5 is a front elevational view thereof; and
FIG. 6 is a top plan view thereof, the bottom of the liner not being visible in the normal use thereof.



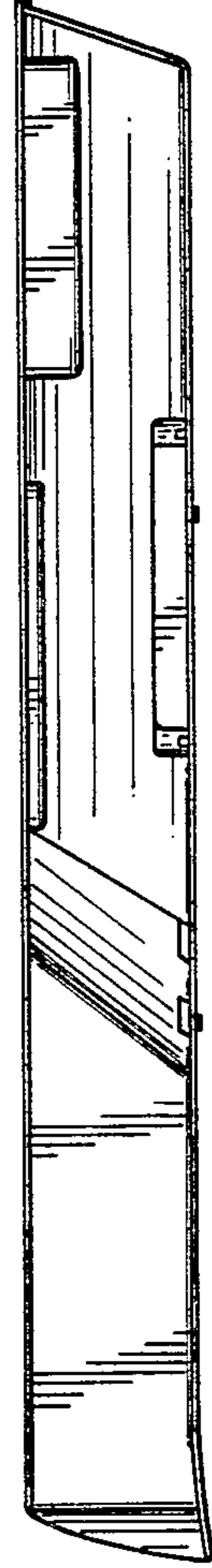
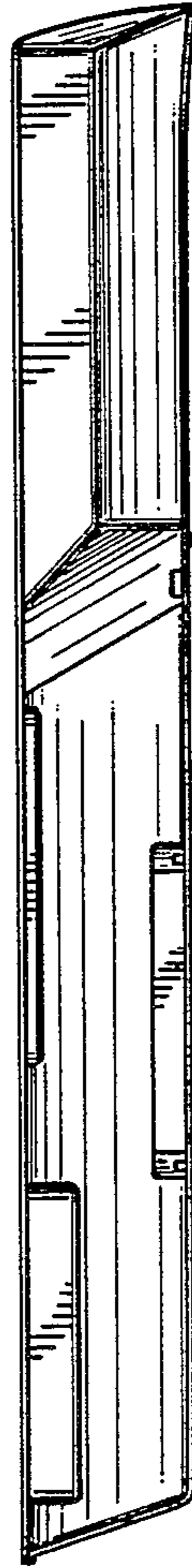
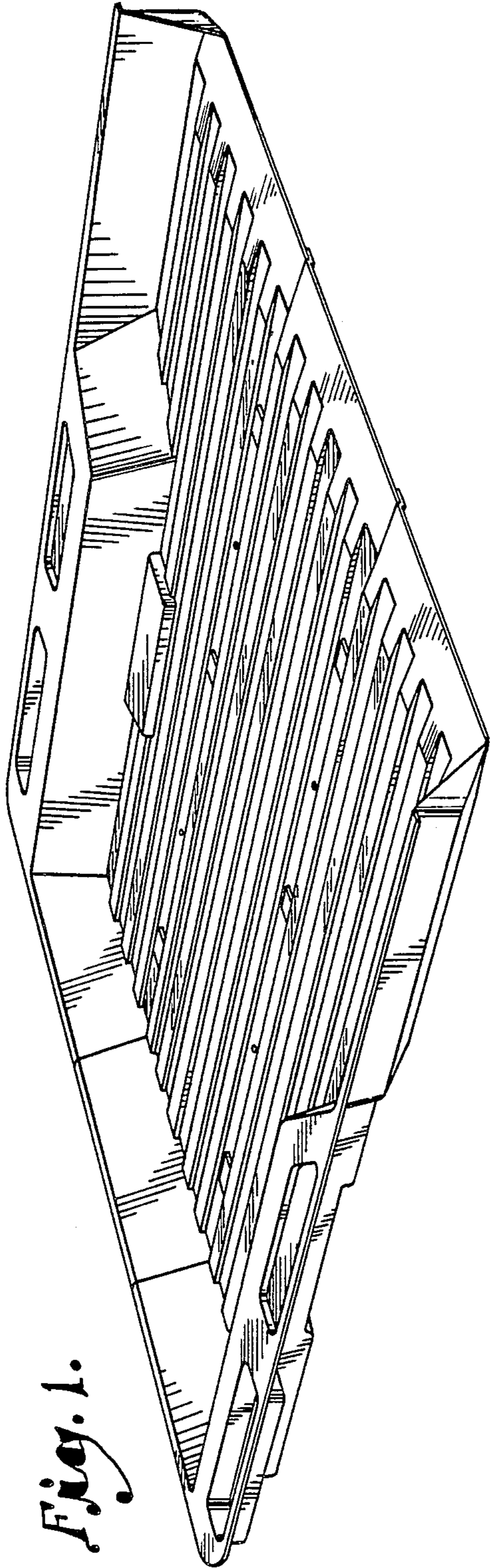


Fig. 2.

Fig. 3.

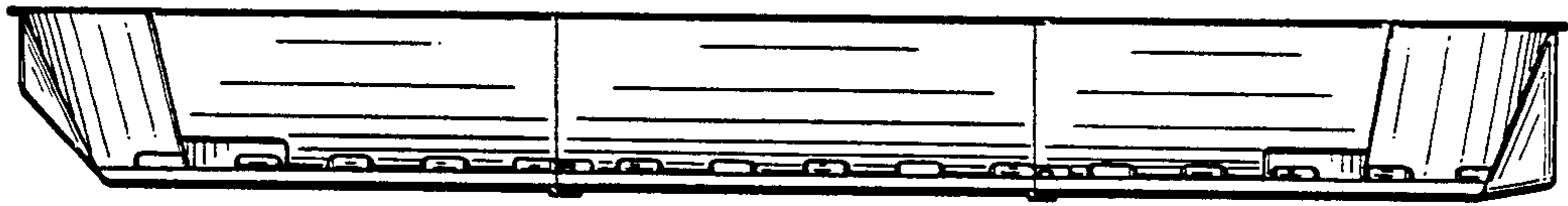


Fig. 4.

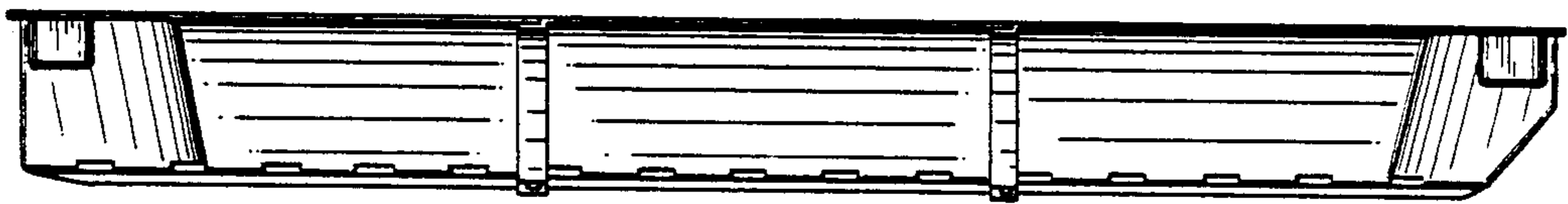


Fig. 5.

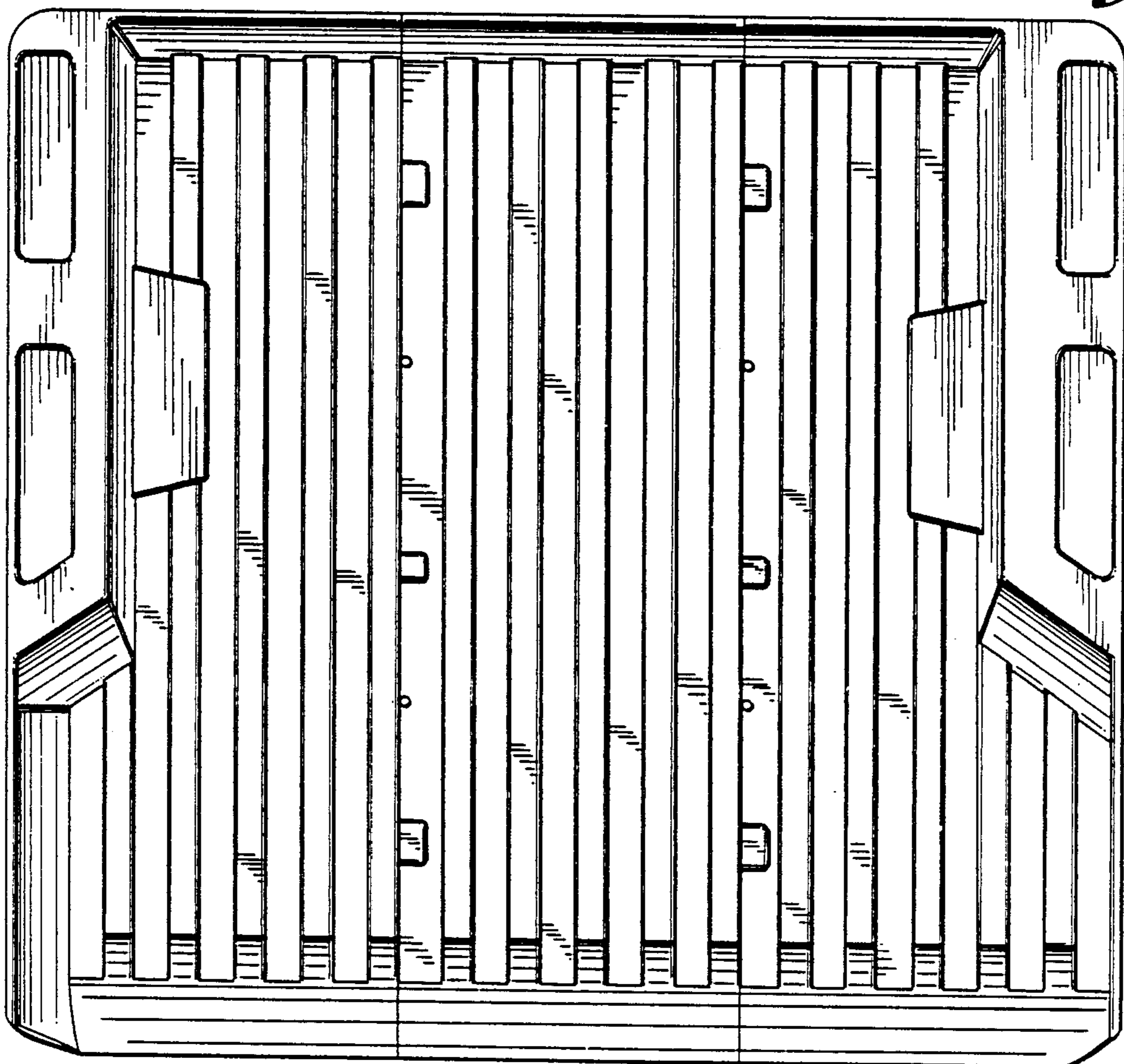


Fig. 6.