

# United States Patent [19]

Bruno et al.

[11] Patent Number: Des. 293,215

[45] Date of Patent: \*\* Dec. 15, 1987

[54] **ELECTRONIC THERMOMETER**

[75] Inventors: Robert H. Bruno, Avon; Laurie J. Burger, North Branford; Stuart Kipperman, Easton; Geoffrey R. Mayer, Trumbull; Donald E. Protzmann, Litchfield; Robert F. Uhl, Cheshire, all of Conn.

[73] Assignee: Sherwood Medical Co., St. Louis, Mo.

[\*\*] Term: 14 Years

[21] Appl. No.: 677,921

[22] Filed: Dec. 4, 1984

[52] U.S. Cl. .... D10/57; D10/103; D10/78

[58] Field of Search ..... D10/75, 78, 57, 60, D10/102, 103, 46; 374/185, 208

[56] **References Cited**

**U.S. PATENT DOCUMENTS**

- D. 222,504 10/1971 Sato ..... D10/57
- D. 227,500 6/1973 Sato ..... D10/57
- D. 249,475 9/1978 Turner ..... D10/57
- D. 250,753 1/1979 Turner ..... D10/60
- D. 255,997 7/1980 Maeda ..... D10/57

- D. 260,737 9/1981 Manno ..... D10/60 X
- D. 264,190 5/1982 Müller ..... D10/57
- D. 270,624 9/1983 Houlihan ..... D10/57

**OTHER PUBLICATIONS**

*New Equip. Digest*-6/78-p. 24-DIG. Thermometer at left-center.

*Data Precision-flyer-Temperature Meter*, model 940-2/1980.

*Primary Examiner*-Nelson C. Holtje  
*Attorney, Agent, or Firm*-Brumbaugh, Graves, Donohue & Raymond

[57] **CLAIM**

The ornamental design for an electronic thermometer, substantially as shown and described.

**DESCRIPTION**

FIG. 1 is a front and top left perspective view of an electronic thermometer showing our new design; FIG. 2 is a front elevational view thereof; FIG. 3 is a rear elevational view thereof; FIG. 4 is a right side elevational view thereof; FIG. 5 is a left side elevational views thereof; FIG. 6 is a bottom plan view thereof. The dot-dash showings of FIGS. 1-3 indicate that the cord is continuous and are for ease of illustration.

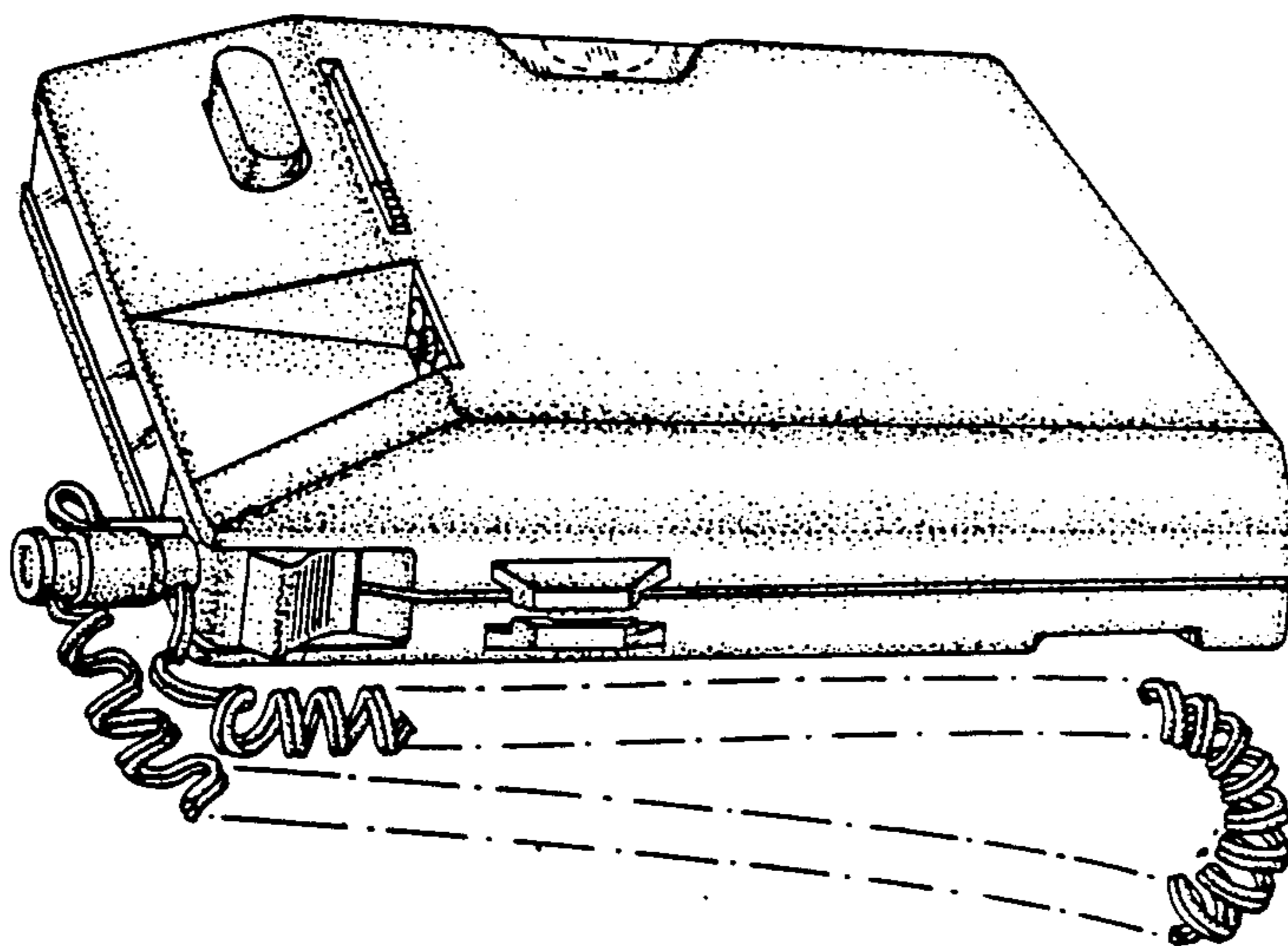


FIG. 1

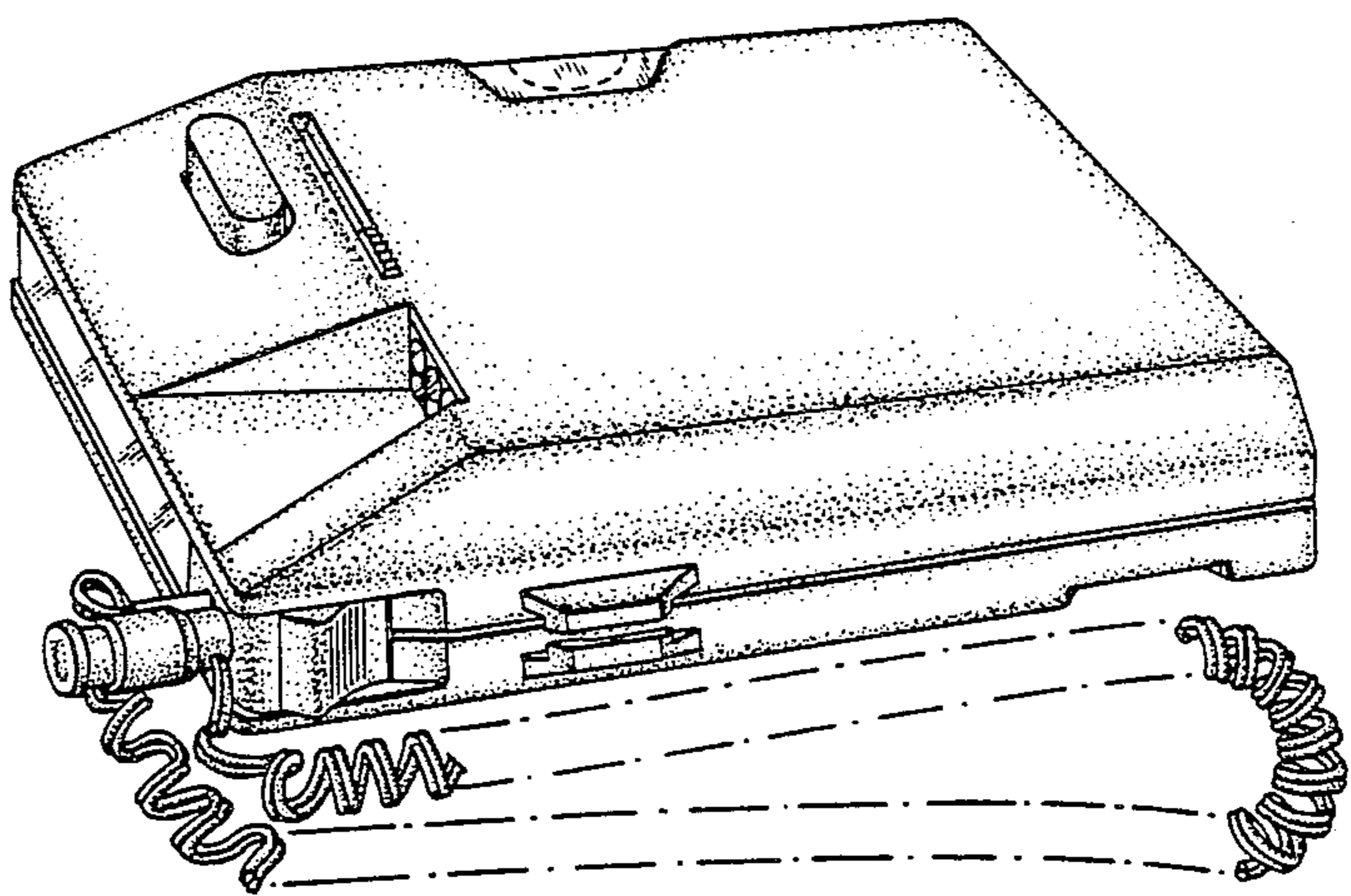


FIG. 2

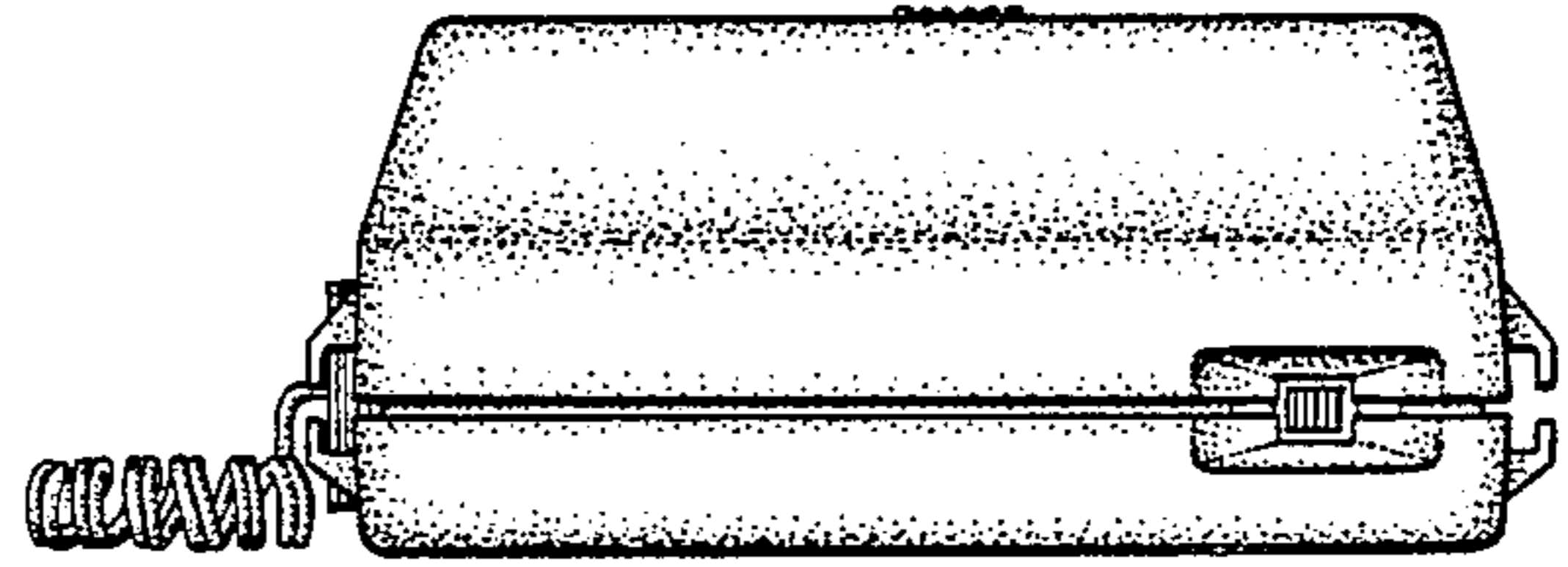
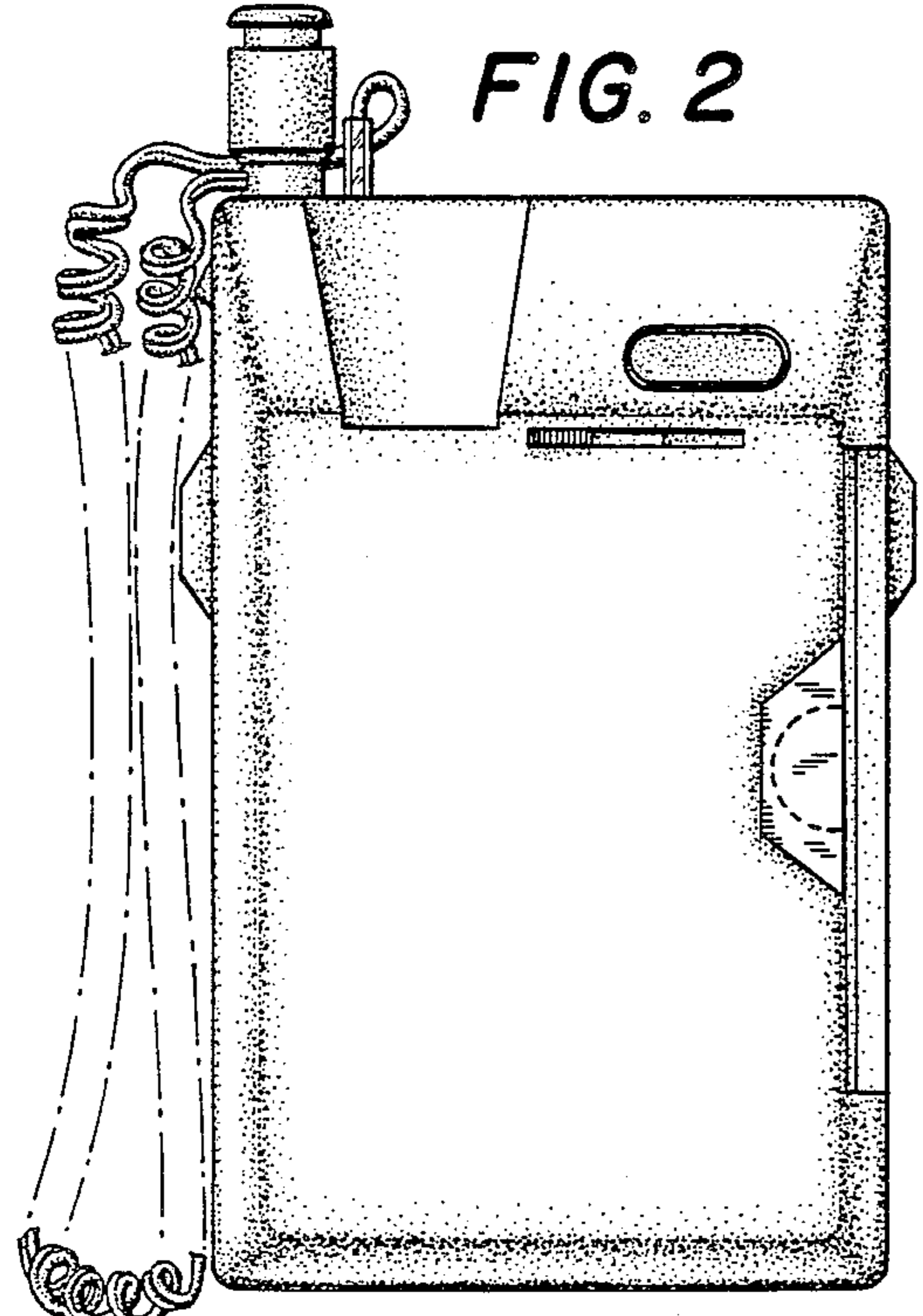


FIG. 6

FIG. 4

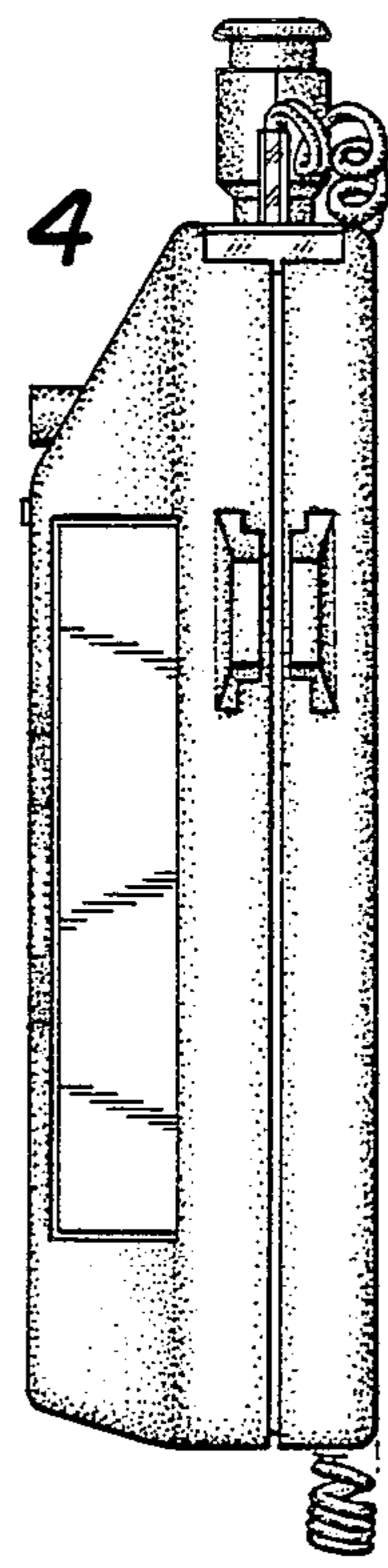


FIG. 5

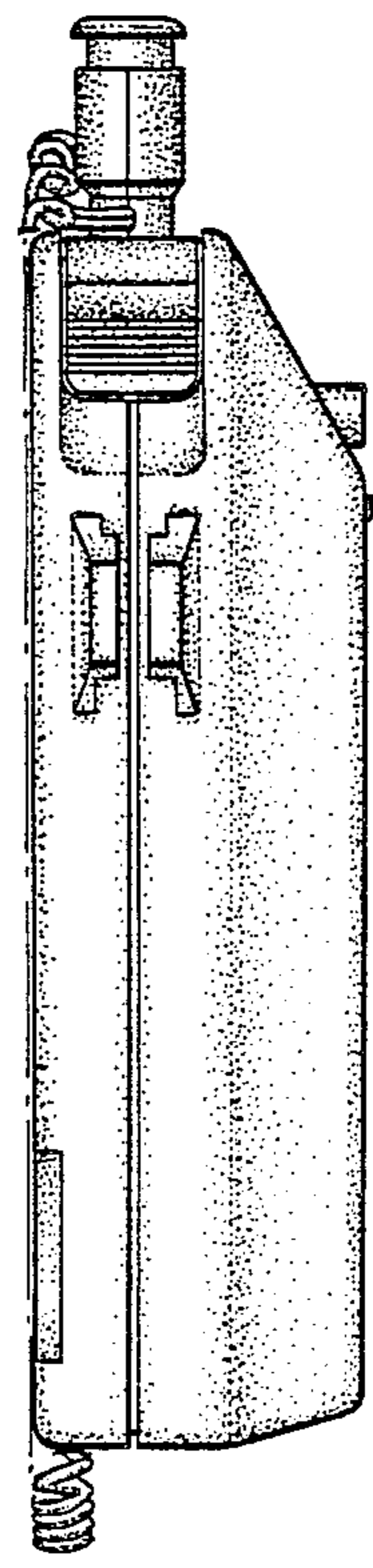


FIG. 3

