

United States Patent [19]
Crapser

[11] **Patent Number: Des. 293,214**
[45] **Date of Patent: ** Dec. 15, 1987**

[54] **VALVE ACTUATOR CAP**

[75] **Inventor: James R. Crapser, Racine County, Wis.**

[73] **Assignee: S. C. Johnson & Son, Inc., Racine, Wis.**

[**] **Term: 14 Years**

[21] **Appl. No.: 724,378**

[22] **Filed: Apr. 18, 1985**

[52] **U.S. Cl. D9/448**

[58] **Field of Search D9/300, 448, 449, 450, D9/445; 222/182, 631, 635**

[56]

References Cited

U.S. PATENT DOCUMENTS

D. 182,045 2/1958 Soffer et al. D9/448
D. 230,830 3/1974 Douglas D9/448
D. 277,648 2/1985 Jones D9/445

Primary Examiner—Robert C. Spangler

[57]

CLAIM

The ornamental design for a valve actuator cap, as shown and described.

DESCRIPTION

FIG. 1 is an elevational view of a valve actuator cap showing my new design with a container being shown in broken lines to show environmental use only; FIG. 2 is a perspective view; FIG. 3 is a top plan view; FIG. 4 is a perspective view showing the side opposite that seen in FIG. 2; and, FIG. 5 is a bottom plan view.

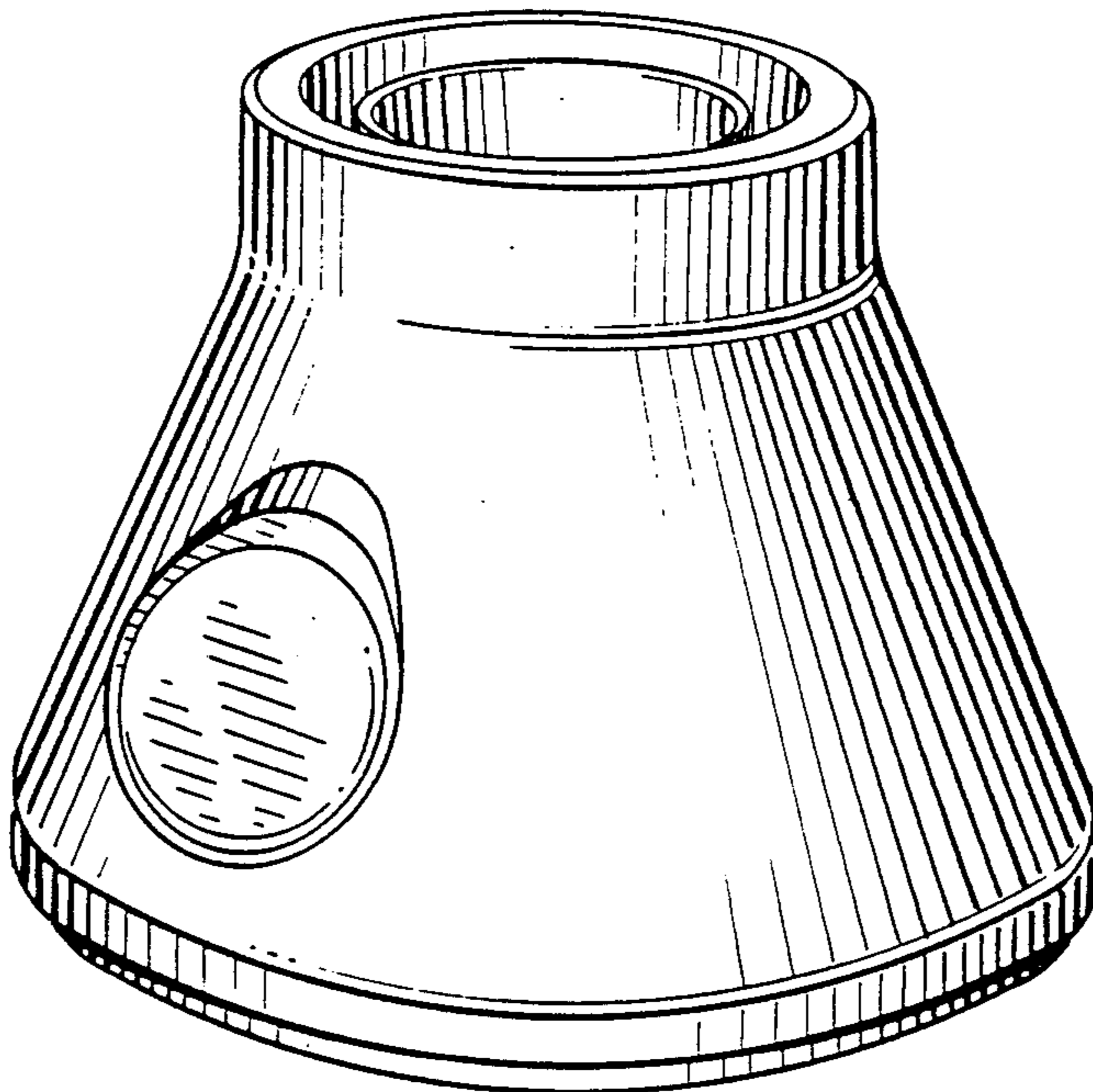


Fig. 1

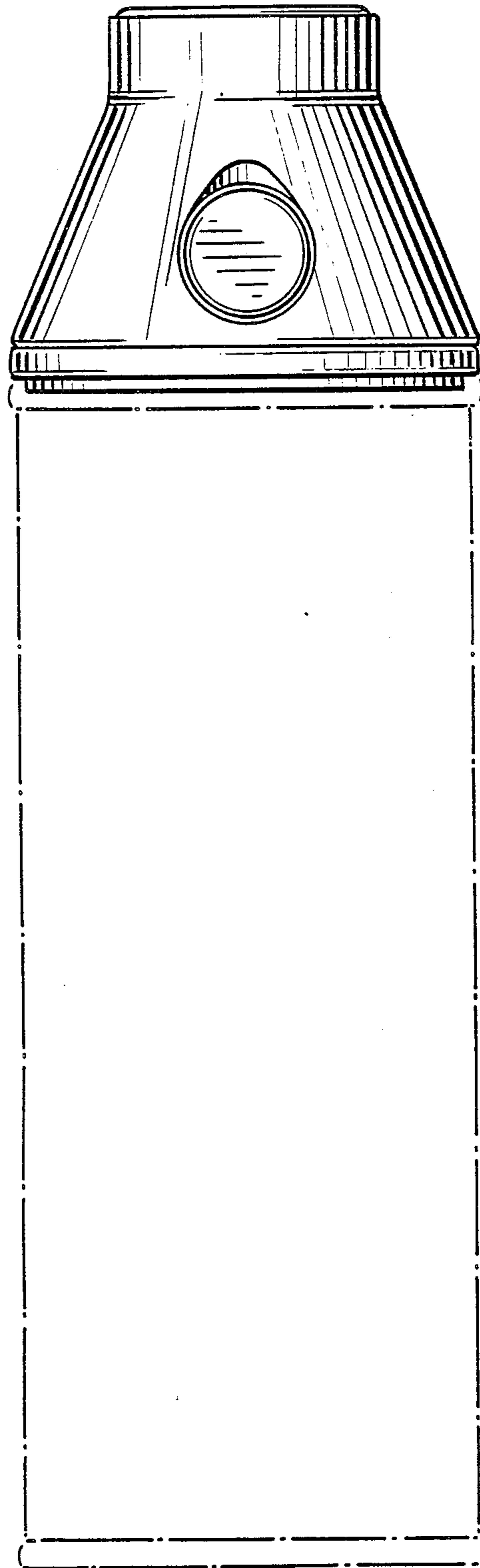


Fig. 2.

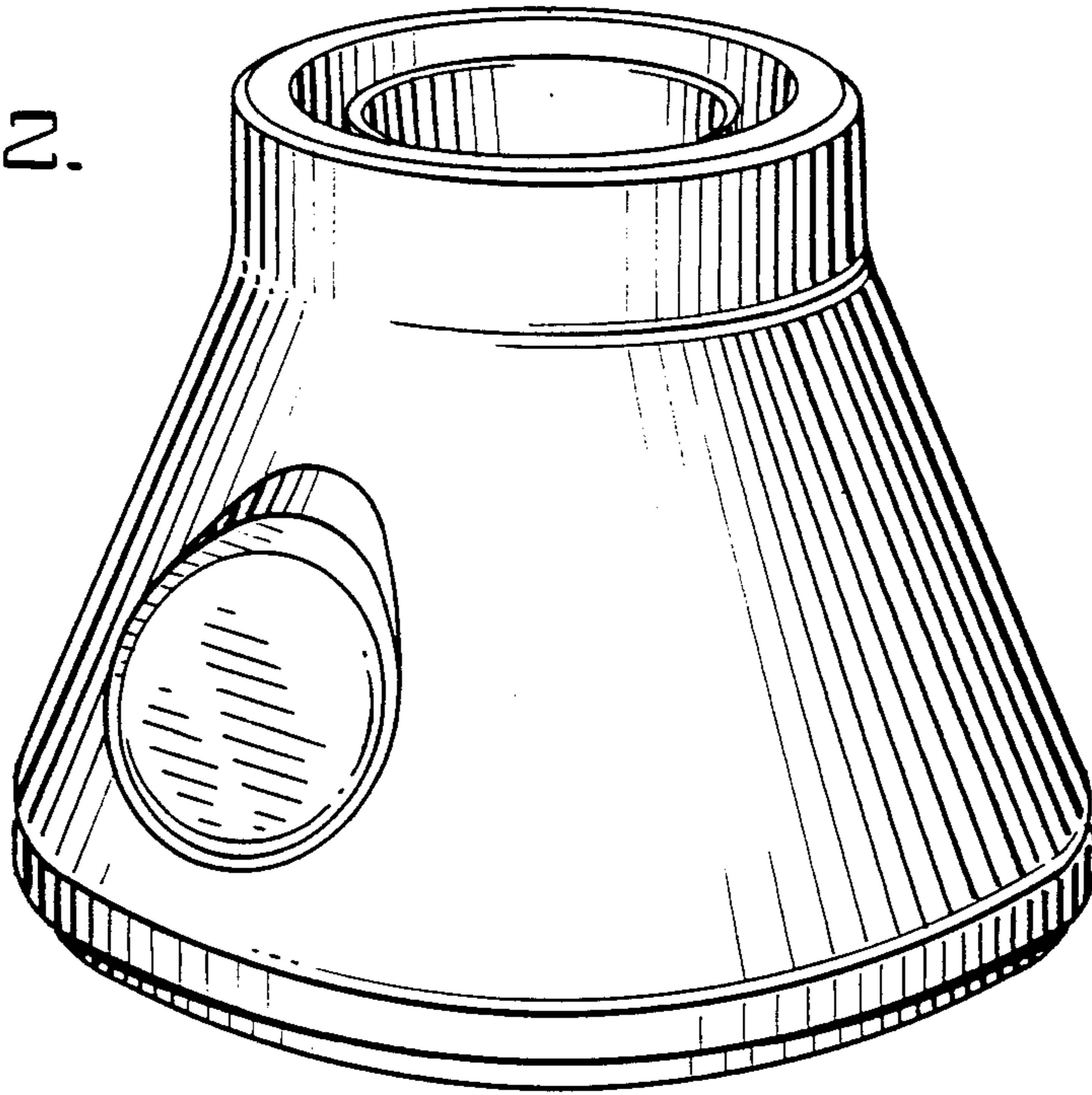


Fig. 3.

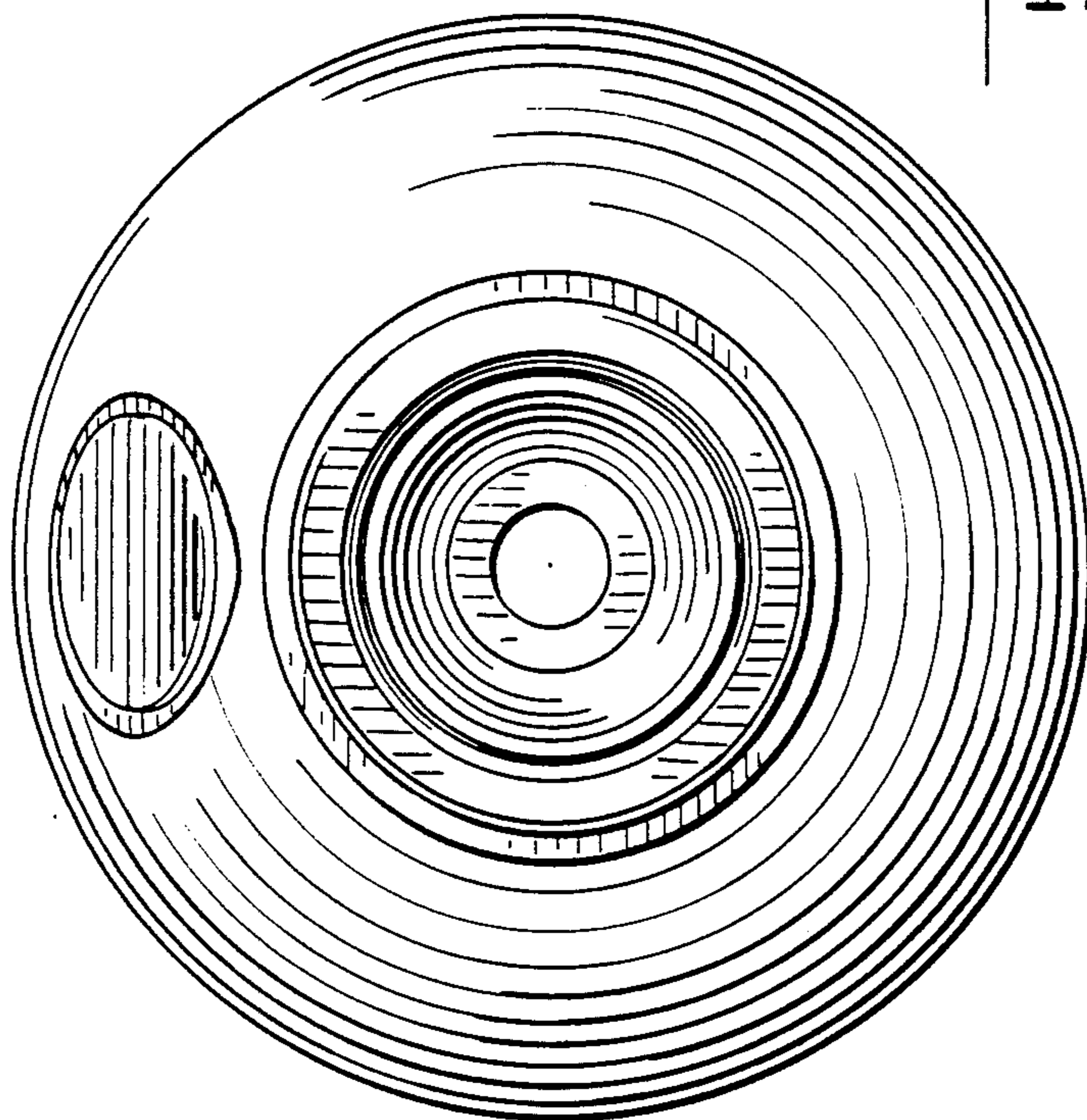


Fig. 4.

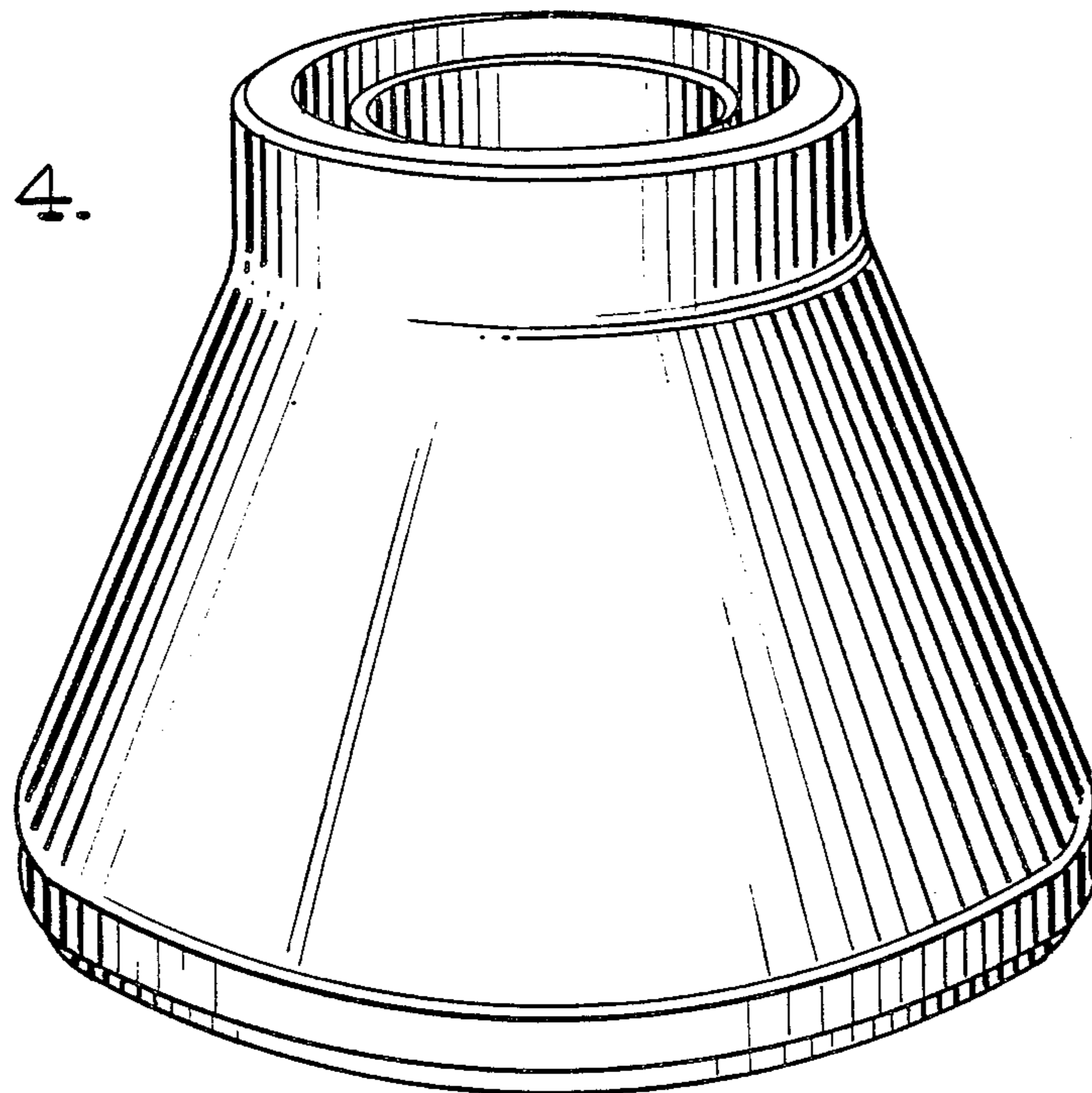


Fig. 5.

