

United States Patent [19]

Beaty et al.

[11] Patent Number: Des. 293,206

[45] Date of Patent: ** Dec. 15, 1987

[54] ILLUMINATION ATTACHMENT CLIP FOR FIREARMS

4,002,349 1/1977 Dopp D8/395
4,026,055 5/1977 Weast 42/101
4,348,716 9/1982 Storm et al. 362/188

[76] Inventors: David L. Beaty, 958 W. Emerald Cir.;
William W. Loughrige, 965 W. Enid Cir., both of Mesa, Ariz. 85202

[**] Term: 14 Years

[21] Appl. No.: 791,717

[22] Filed: Oct. 28, 1985

[52] U.S. Cl. D8/395; D8/396;
D22/110

[58] Field of Search D8/394, 395, 396;
D22/110; 362/110, 396, 188; 42/101, 100;
24/335, 336, 339

[56] References Cited

U.S. PATENT DOCUMENTS

D. 259,204	5/1981	Weast	D22/110
D. 260,113	8/1981	Ross	D22/110
D. 270,748	9/1983	Bechtel	D22/110
1,088,502	2/1914	Williams	.	
1,107,040	8/1914	Conde	.	
1,215,171	2/1917	Lewis	362/110
1,452,651	4/1923	Norrlin	.	
1,464,382	8/1923	Eaton	.	
1,610,092	12/1926	Hise	.	
1,702,101	2/1929	Basterreix	.	
2,108,475	2/1938	Cooper	.	
2,236,736	4/1941	Scott	.	
2,314,061	3/1943	Whaley	.	
2,597,565	5/1952	Chandler et al.	.	
3,106,348	10/1963	Robinson	.	
3,222,511	12/1965	Breeding	.	

OTHER PUBLICATIONS

"The B.E.A.M." advertisement appearing in *S.W.A.T.* (Apr. 1986) p. 12.

"LPC Sure Fire," advertisement appearing in *Police Product News* (Jan. 1986), pp. 16, 31, 57-58.

"Light Mount" advertisement appearing in *Soldier of Fortune*, Apr. 1985 issue, p. 93.

"SWAT Combat Light Mount" advertisement appearing in *The Shotgun News*, October 10, 1985 issue, p. 211.

Primary Examiner—B. J. Bullock

Attorney, Agent, or Firm—Workman, Nydegger & Jensen

[57] CLAIM

The ornamental design for an illumination attachment clip for firearms, as shown and described.

DESCRIPTION

FIG. 1 is a perspective view of the illumination attachment clip for firearms showing our new design; the broken line showing of a hand gun and light being for illustrative purposes only;

FIG. 2 is an enlarged perspective view thereof;

FIG. 3 is an enlarged top plan view thereof;

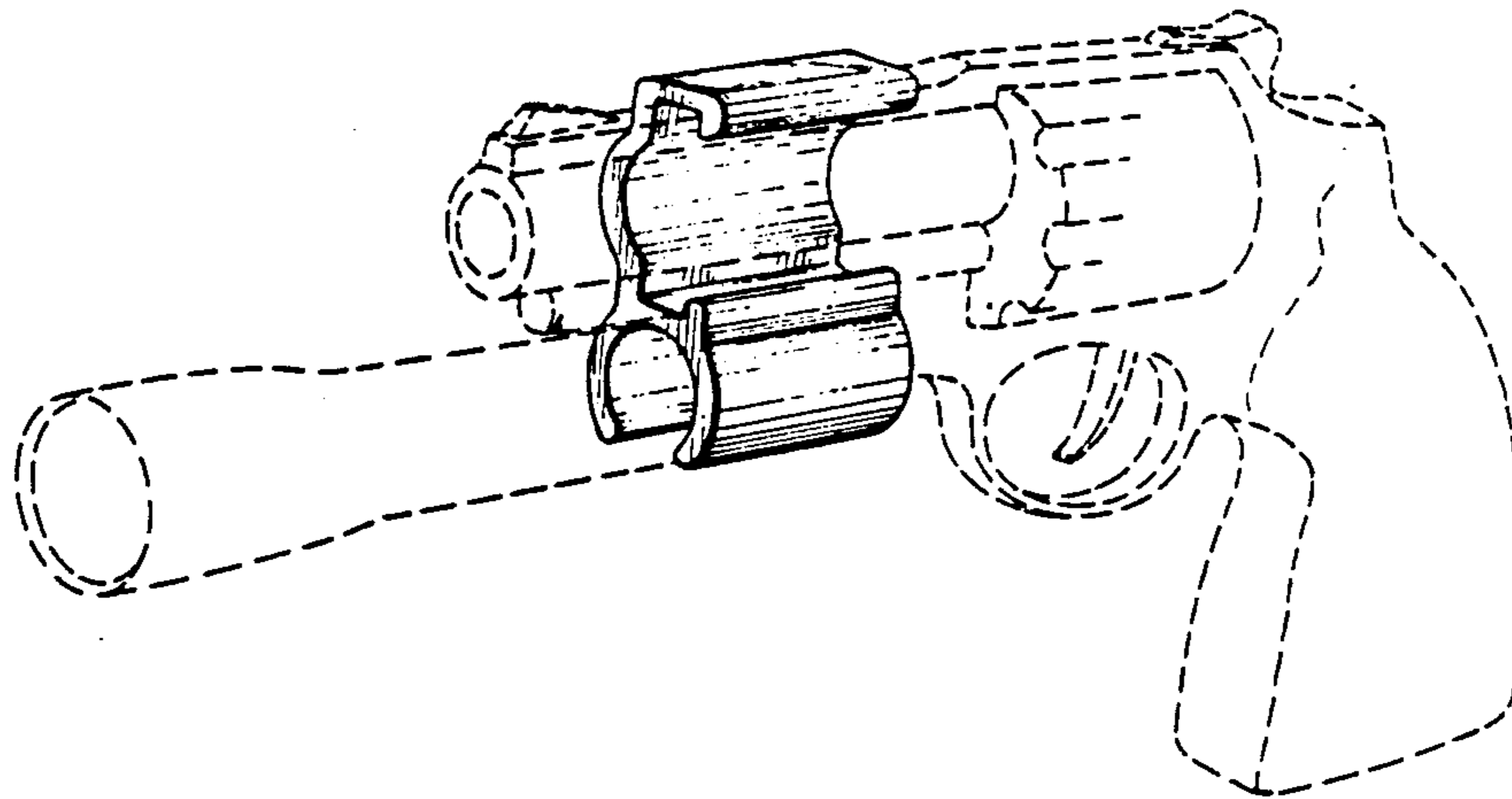
FIG. 4 is an enlarged bottom plan view thereof;

FIG. 5 is an enlarged left end elevational view thereof;

FIG. 6 is an enlarged front elevational view thereof;

FIG. 7 is an enlarged right side elevational view thereof;

FIG. 8 is an enlarged rear elevational view thereof.



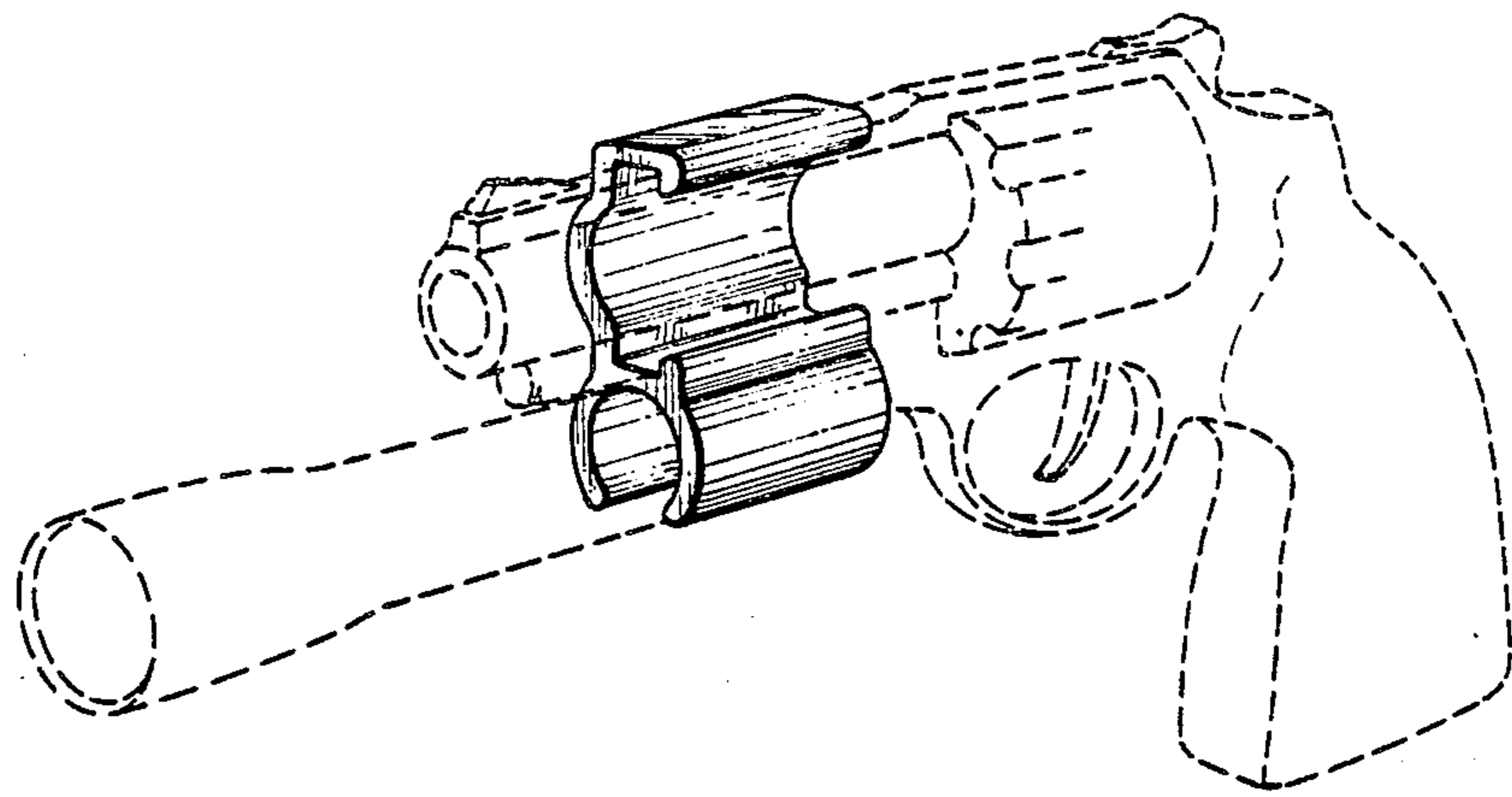


FIG. 1

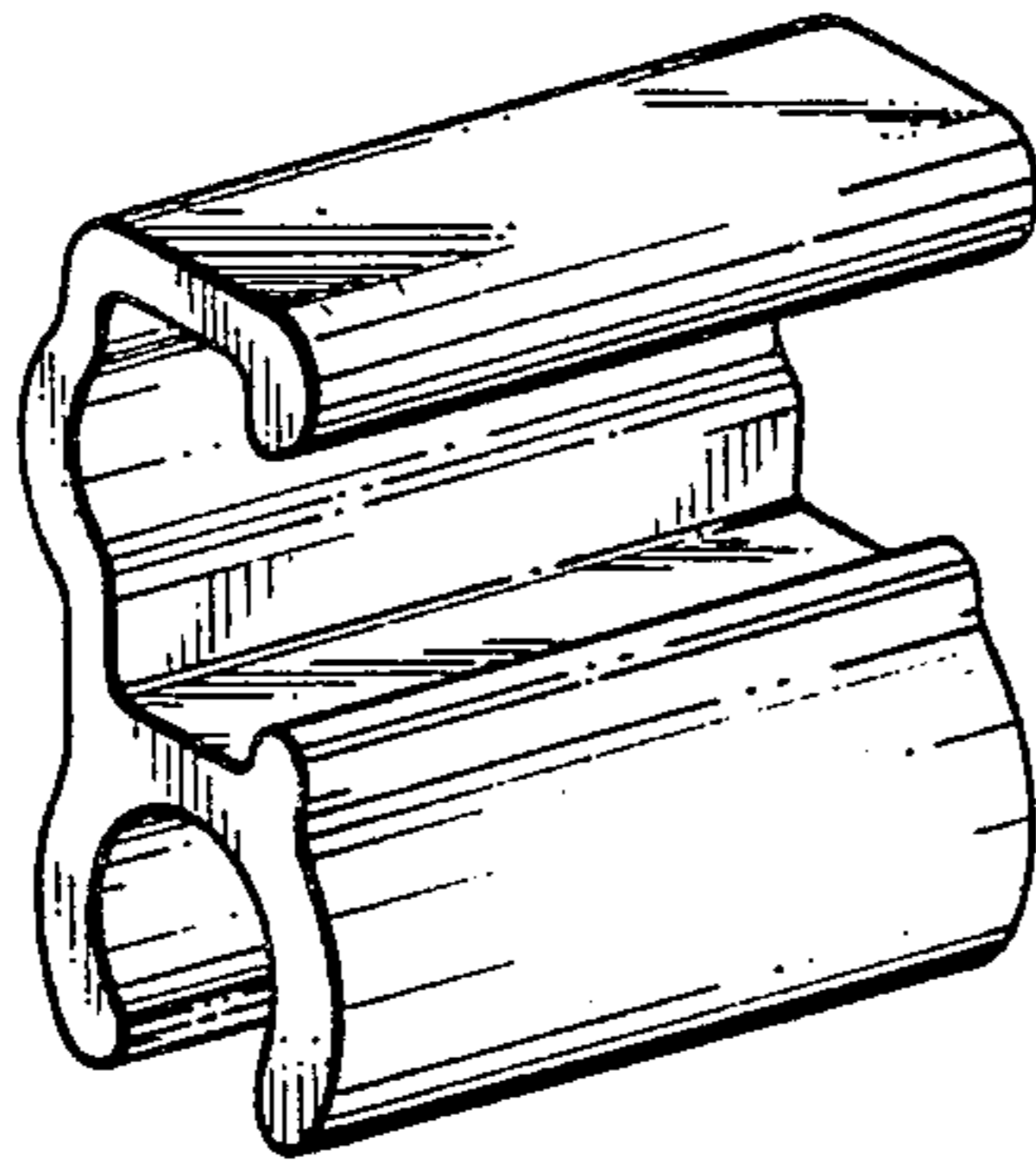


FIG. 2



FIG. 3

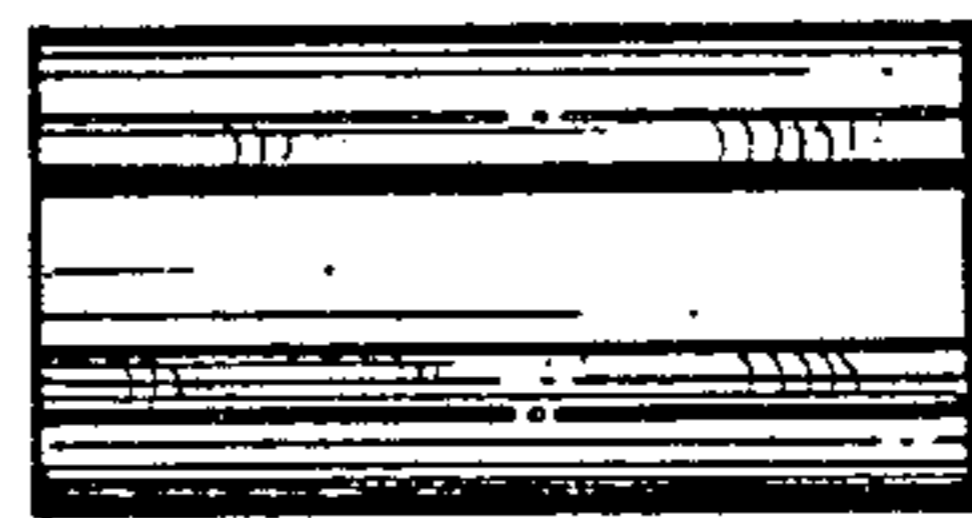


FIG. 4

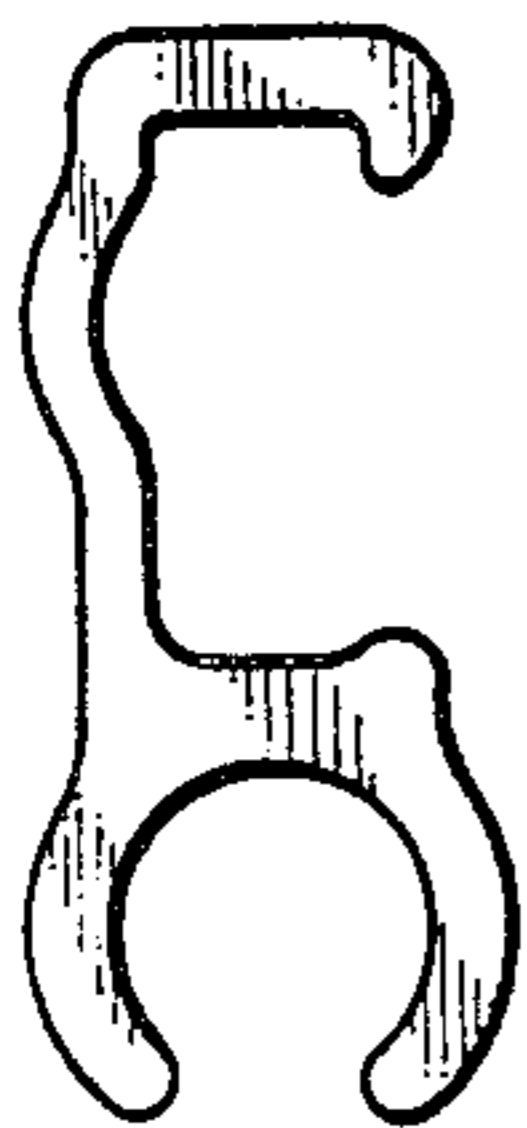


FIG. 5

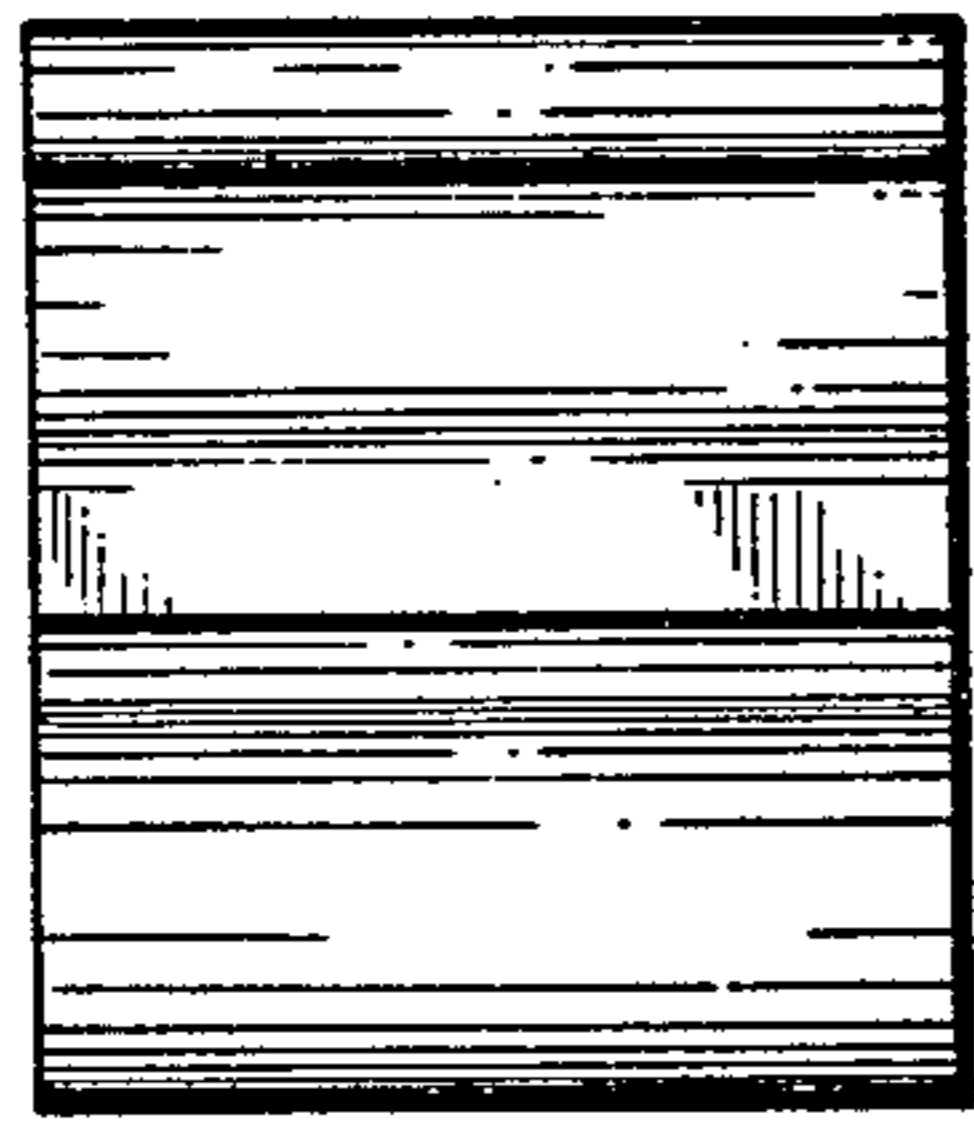


FIG. 6

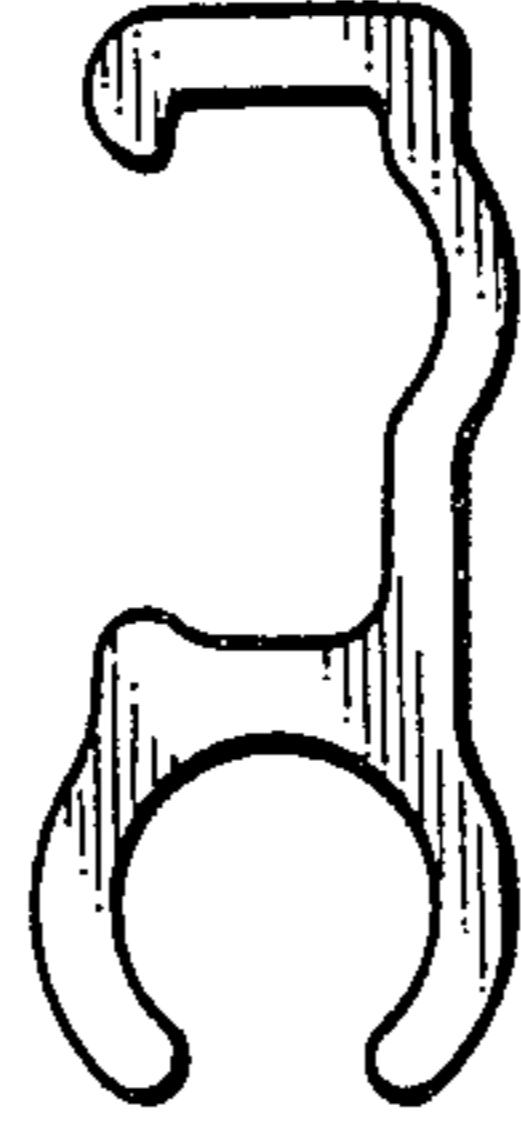


FIG. 7

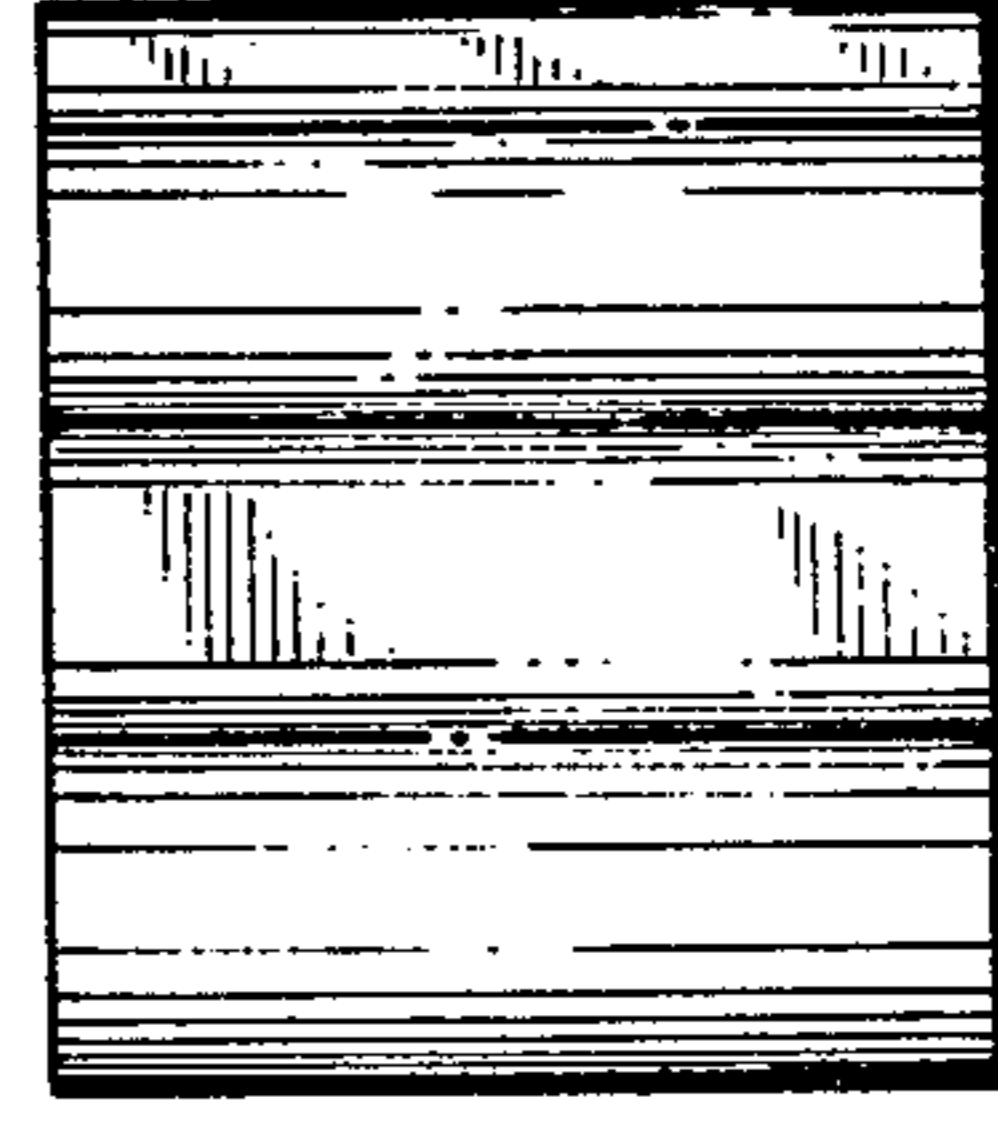


FIG. 8