

United States Patent [19]
Grenley

[11] **Patent Number: Des. 293,199**
[45] **Date of Patent: ** Dec. 15, 1987**

[54] **HAND-HELD CAN OPENER**

[76] **Inventor: J. David Grenley, 29 Lorelei La.,
Menlo Park, Calif. 94025**

[**] **Term: 14 Years**

[21] **Appl. No.: 631,537**

[22] **Filed: Jul. 16, 1984**

[52] **U.S. Cl. D8/18; D8/40**

[58] **Field of Search D8/18, 33, 40, 43, 34;
81/3.55; 7/151**

[56] **References Cited**

U.S. PATENT DOCUMENTS

- D. 59,378 10/1921 Saul D8/18
- D. 138,266 7/1944 Guenther D8/41
- D. 222,659 11/1971 Hillis D8/40
- 941,865 11/1909 Forsyth et al. D8/18 X

Primary Examiner—Bernard Ansher

Assistant Examiner—Terry Pfeffer
Attorney, Agent, or Firm—Romney Golant Martin
Seldon & Ashen

[57] **CLAIM**

The ornamental design for a hand-held can opener, as shown.

DESCRIPTION

FIG. 1 is a top plan view of a hand-held can opener showing my new design;
FIG. 2 is a left side elevational view thereof;
FIG. 3 is a bottom plan view thereof;
FIG. 4 is a rear elevational view thereof;
FIG. 5 is a front elevational view thereof;
FIG. 6 is a cross-section taken along line 6—6 of FIG. 2;
FIG. 7 is a top, front right side perspective view thereof; and
FIG. 8 is a bottom, front left side perspective view thereof.



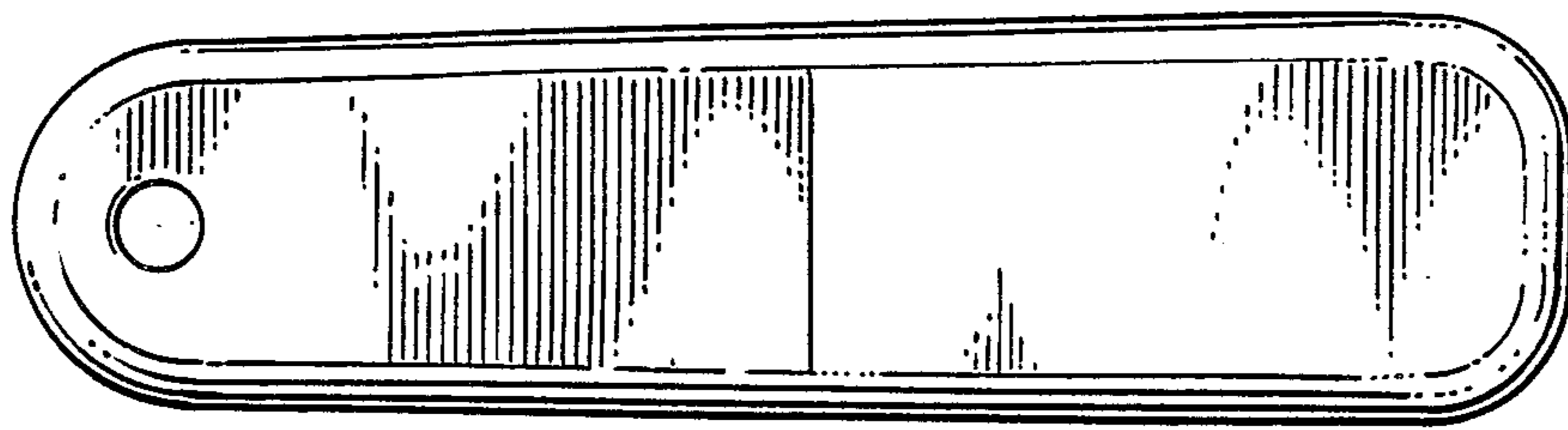
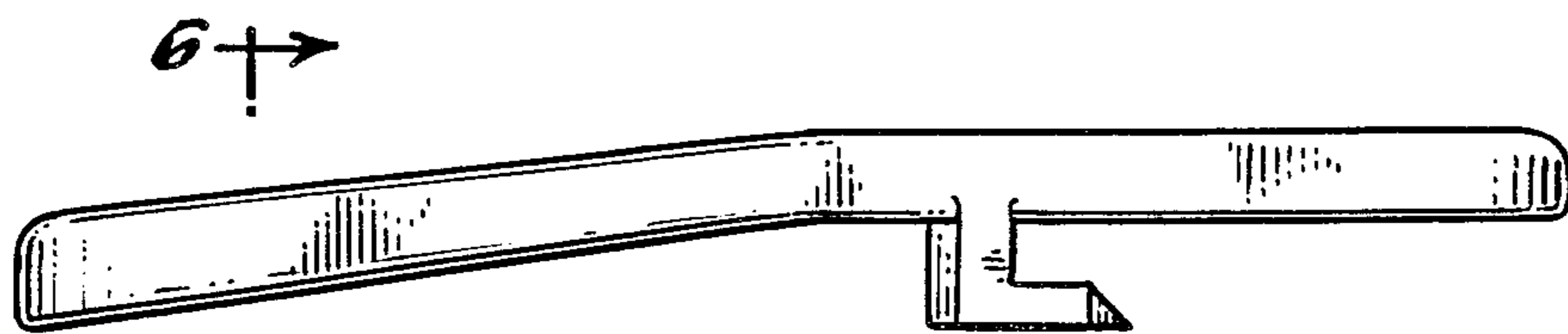
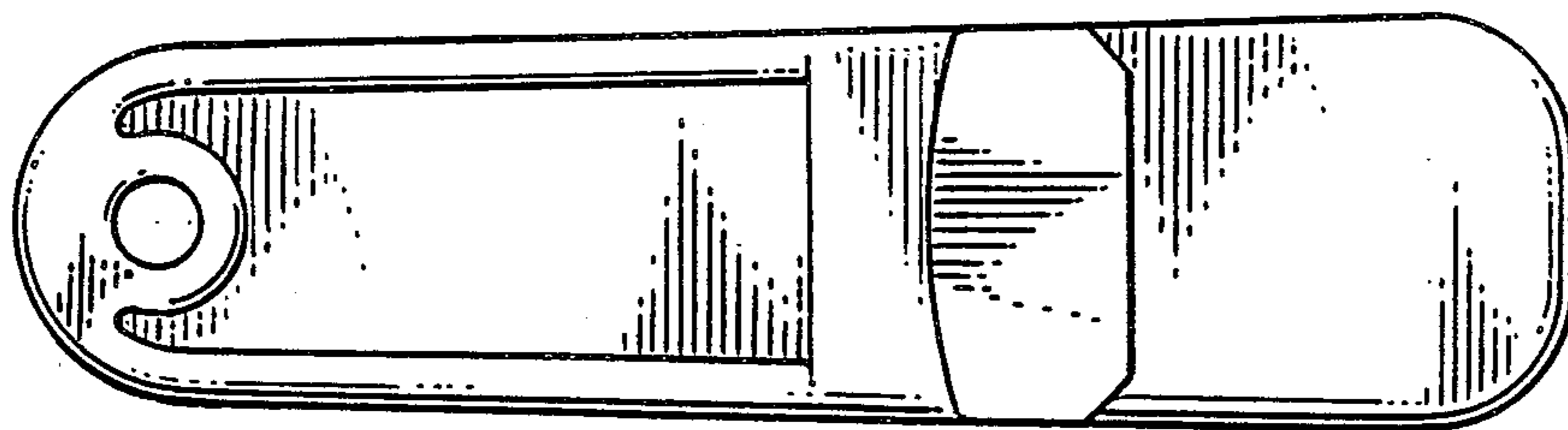


FIG. 1.



6+→

FIG. 2.



6+→

FIG. 3.

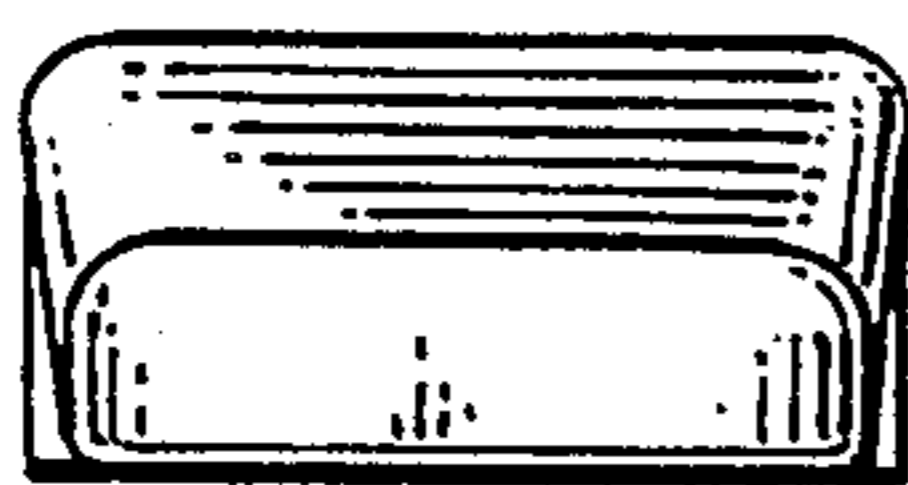


FIG. 4.

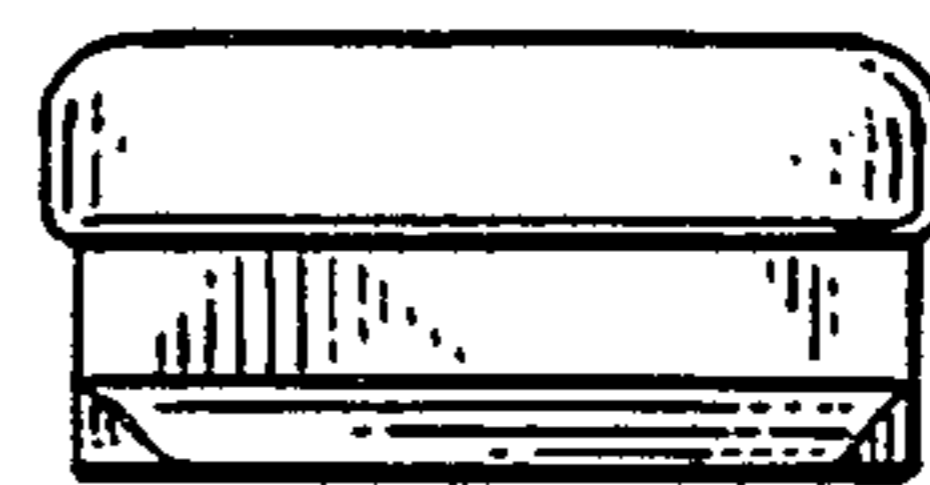


FIG. 5.



FIG. 6.

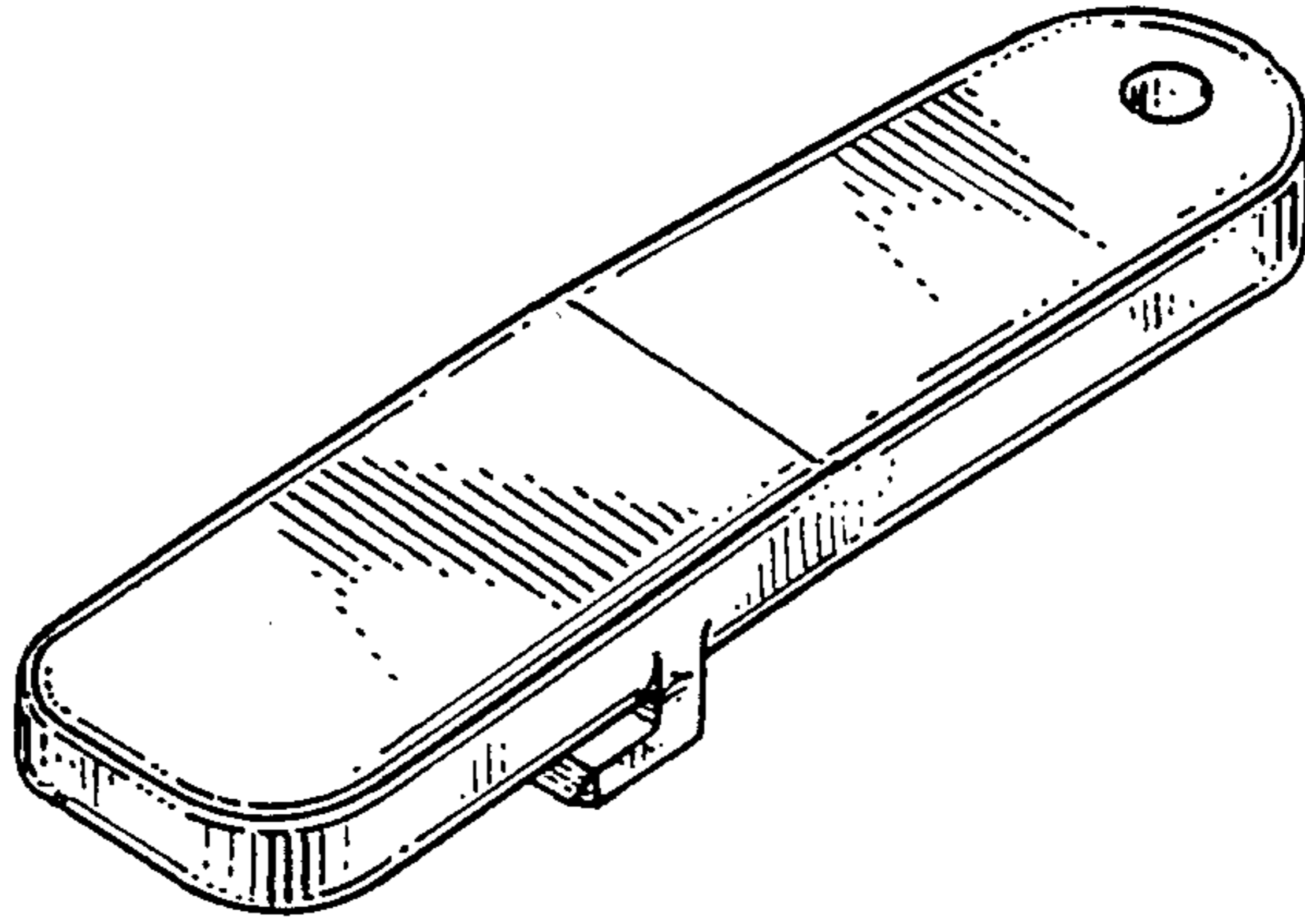


FIG. 7.

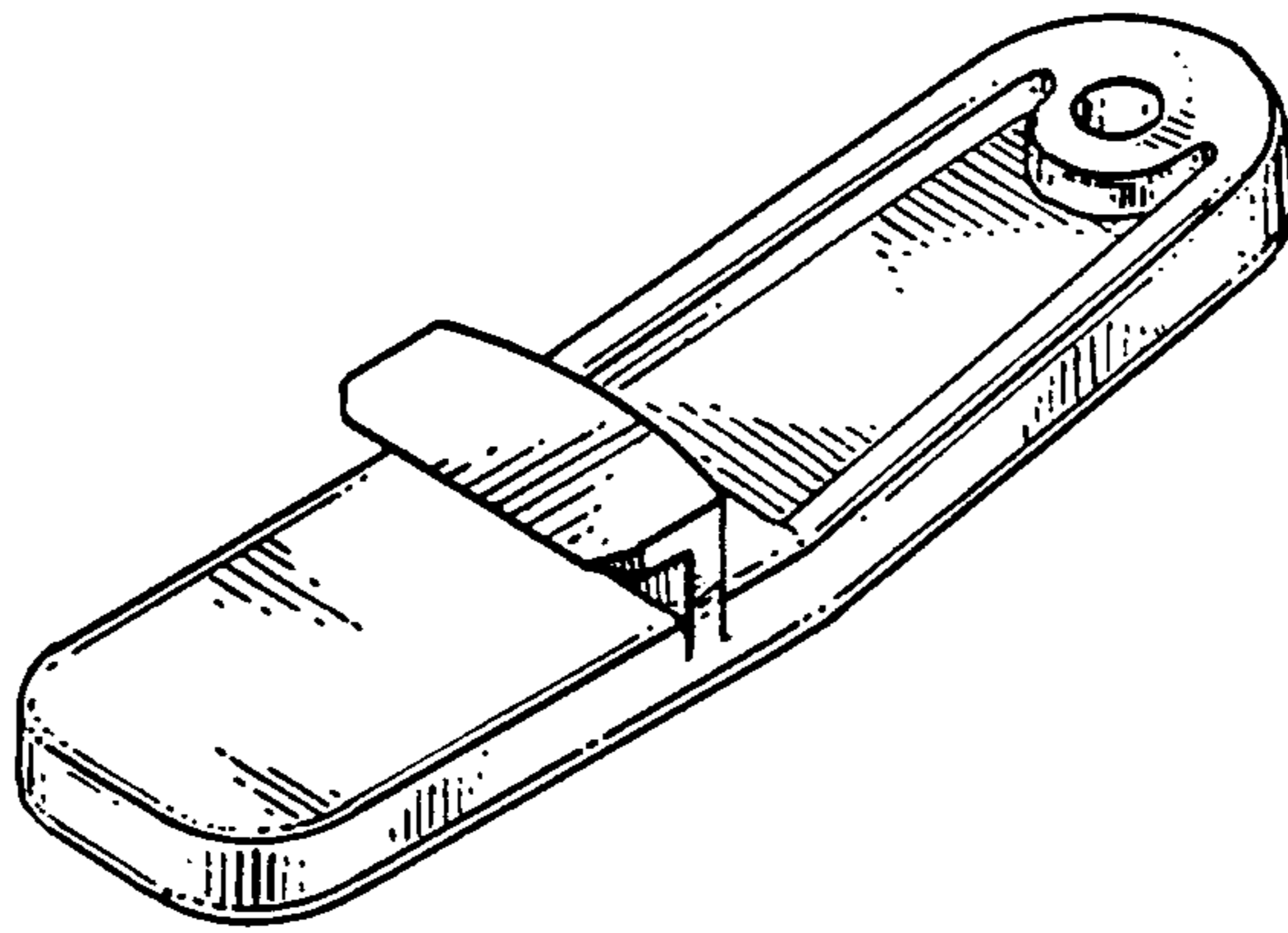


FIG. 8.