

United States Patent [19]

Germain et al.

[11] Patent Number: Des. 293,196

[45] Date of Patent: ** Dec. 15, 1987

[54] HEAD ASSEMBLY FOR A RAKE

[75] Inventors: Robert A. Germain; William E. Portz, both of Anderson, S.C.

[73] Assignee: USM Corporation, Farmington, Conn.

[**] Term: 14 Years

[21] Appl. No.: 763,747

[22] Filed: Aug. 8, 1985

[52] U.S. Cl. D8/13

[58] Field of Search D8/1, 6, 13; 56/400.16, 56/400.17, 400.01, 400.21

[56] References Cited

U.S. PATENT DOCUMENTS

D. 233,305 10/1974 Eads D8/13

D. 248,612 7/1978 Oas D8/13
2,315,021 3/1943 Schmidt et al. D8/13 X
4,215,528 8/1980 Fodor 56/400.17

Primary Examiner—Wallace R. Burke
Assistant Examiner—Brian N. Vinson
Attorney, Agent, or Firm—Barry E. Deutsch

[57] CLAIM

The ornamental design of a head assembly for a rake, as shown and described.

DESCRIPTION

FIG. 1 is a top plan view of a head assembly for a rake showing our new design;
FIG. 2 is a bottom plan view thereof;
FIG. 3 is a right side elevational view thereof, the side opposite being substantially a mirror image;
FIG. 4 is a rear end elevational view thereof; and,
FIG. 5 is a top perspective view thereof.

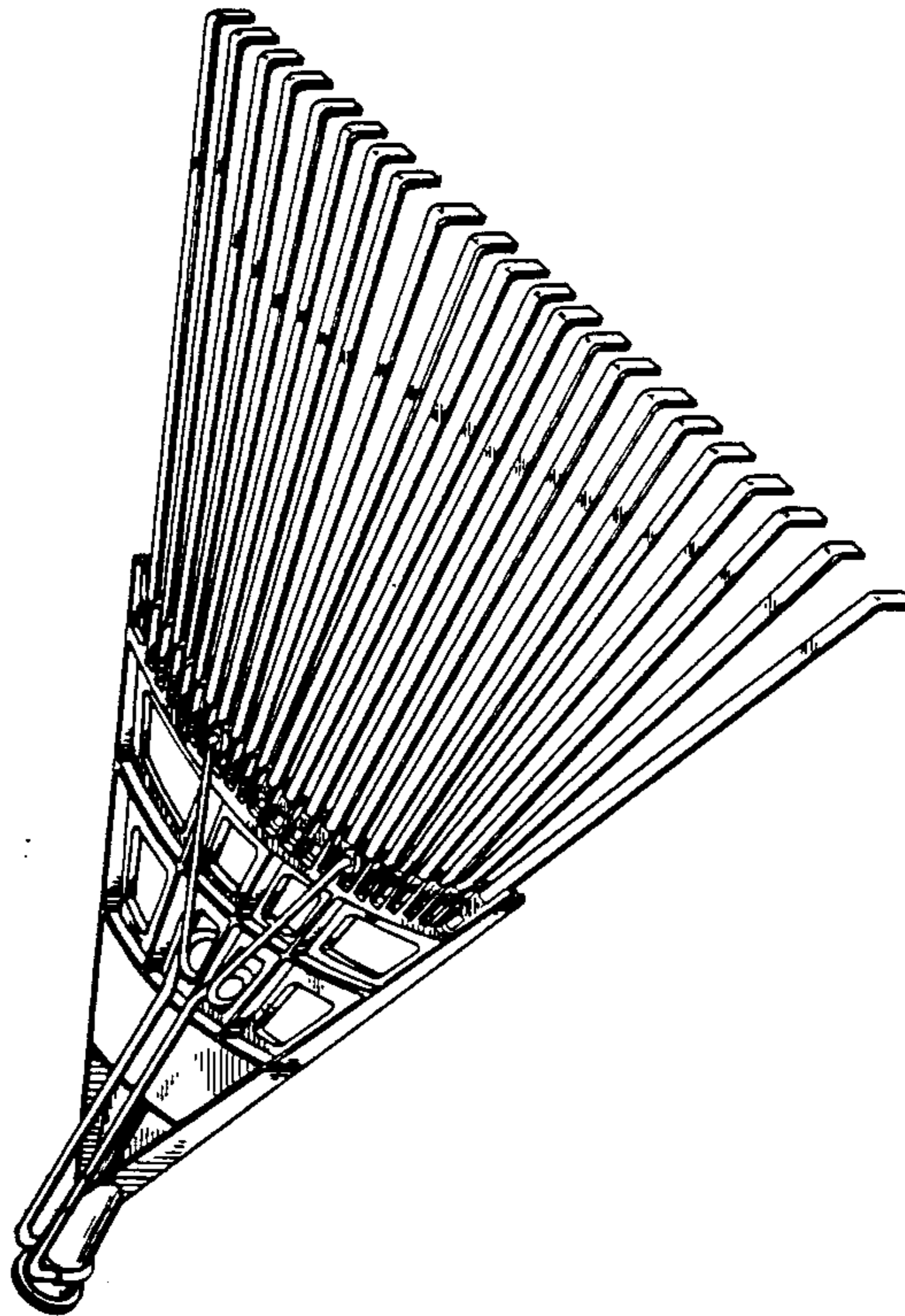


FIG. 1

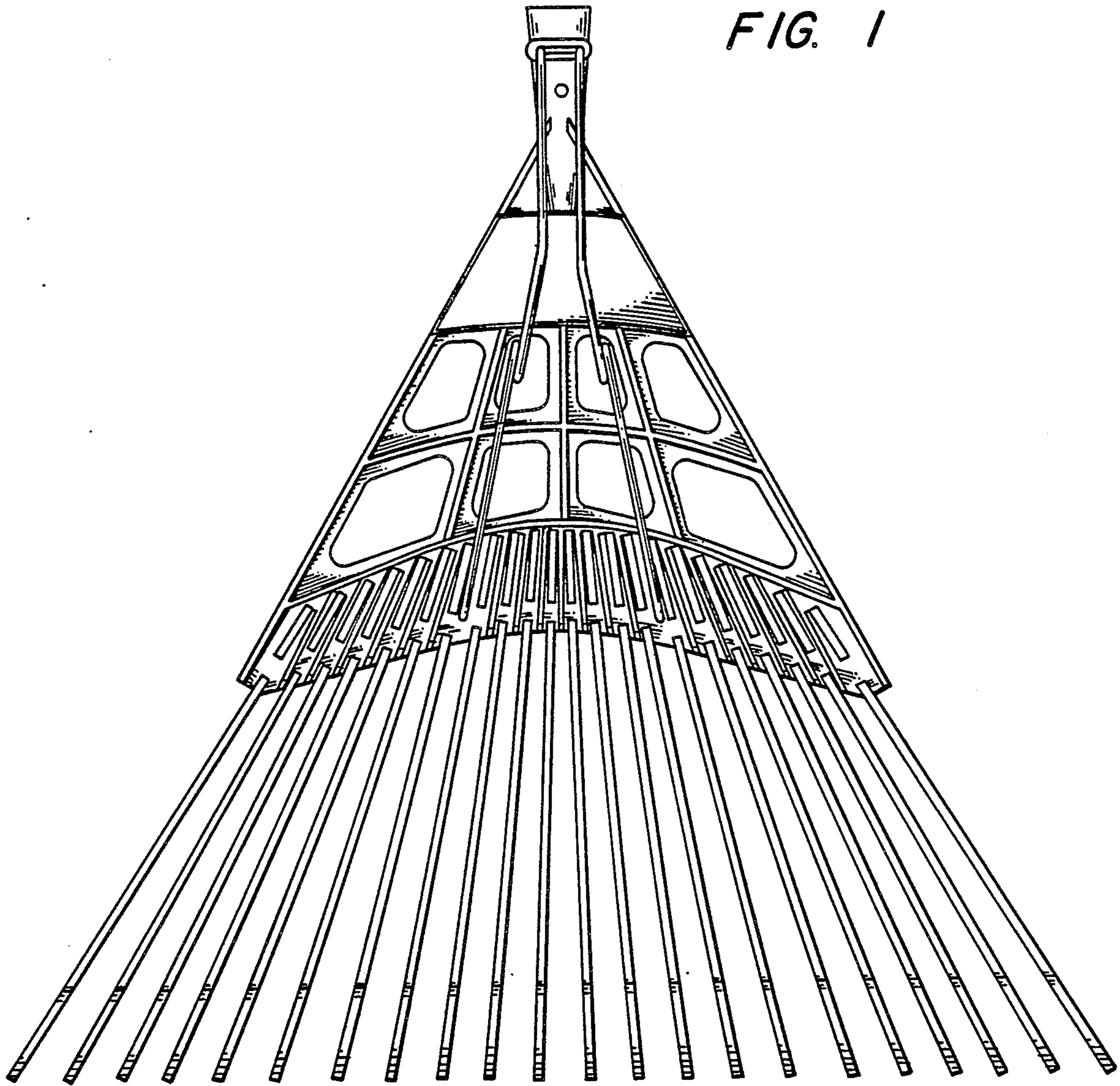


FIG. 2

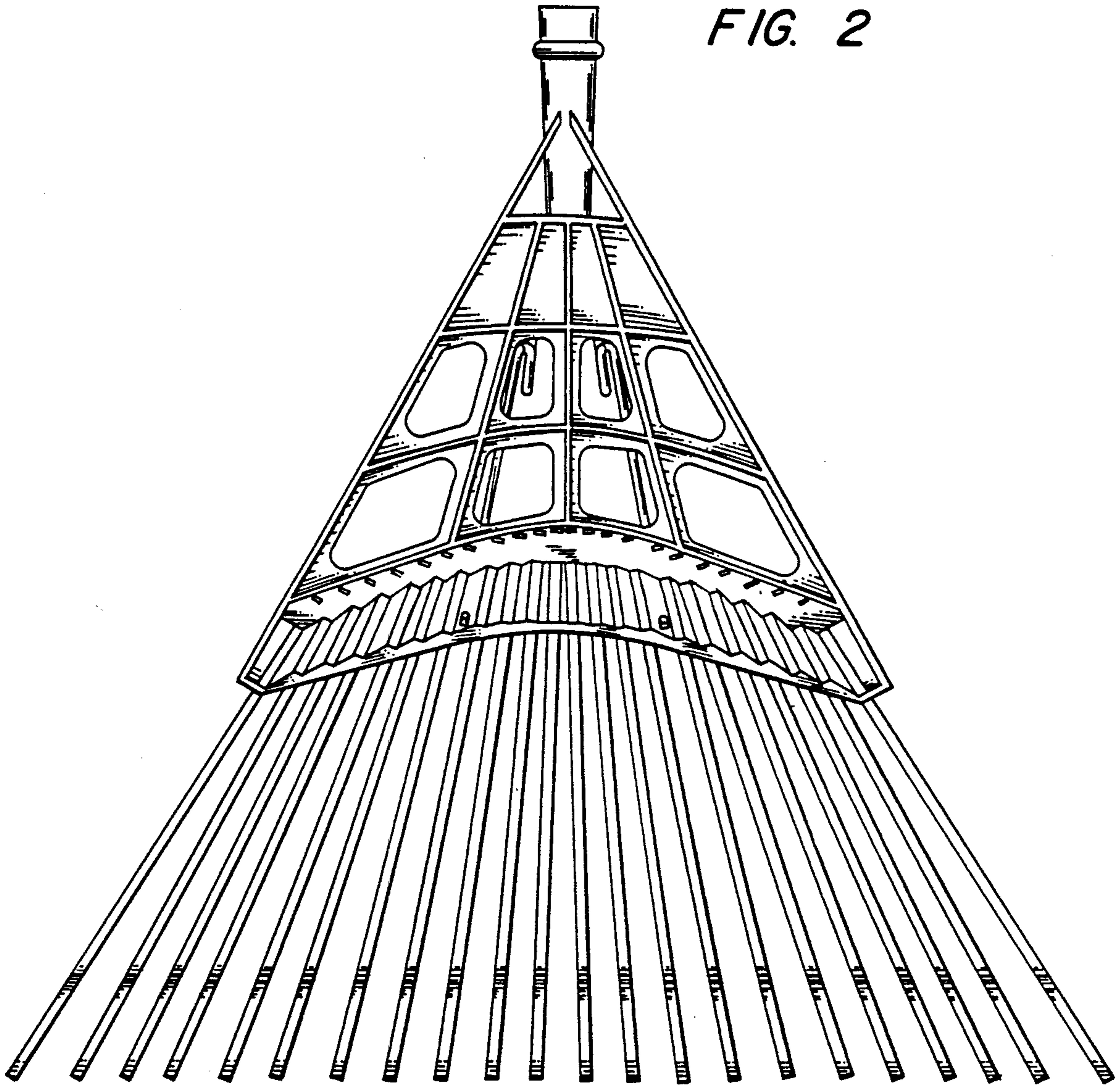


FIG. 3

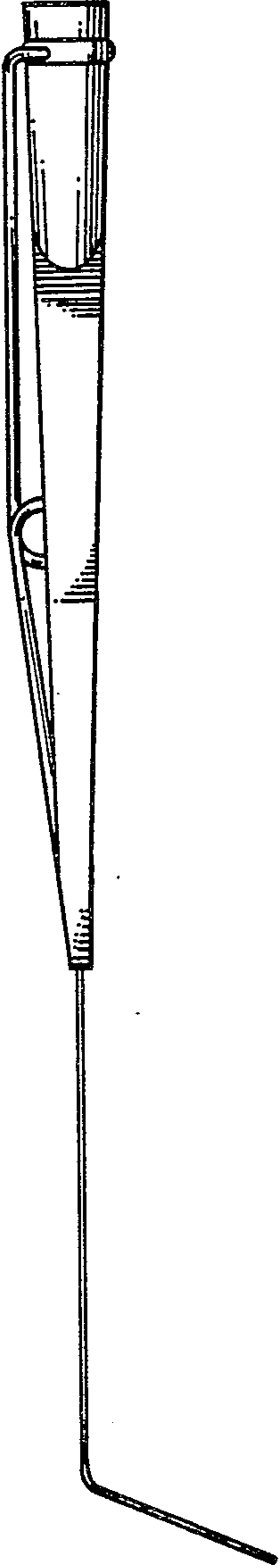
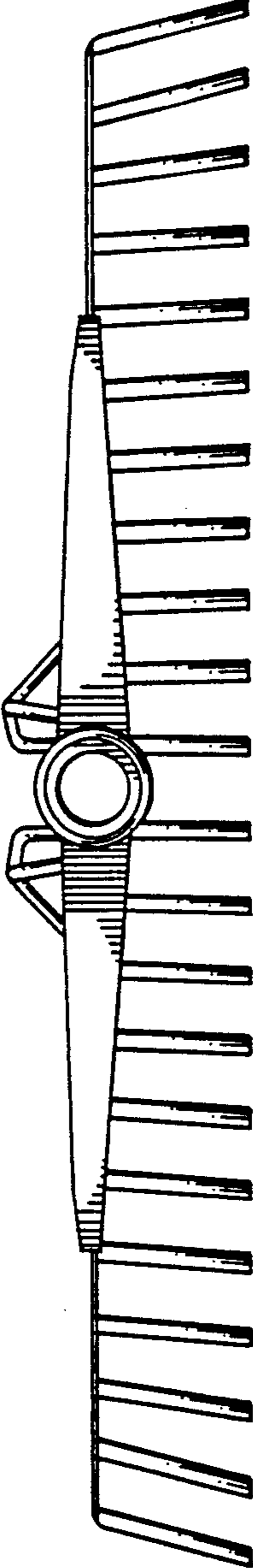


FIG. 4



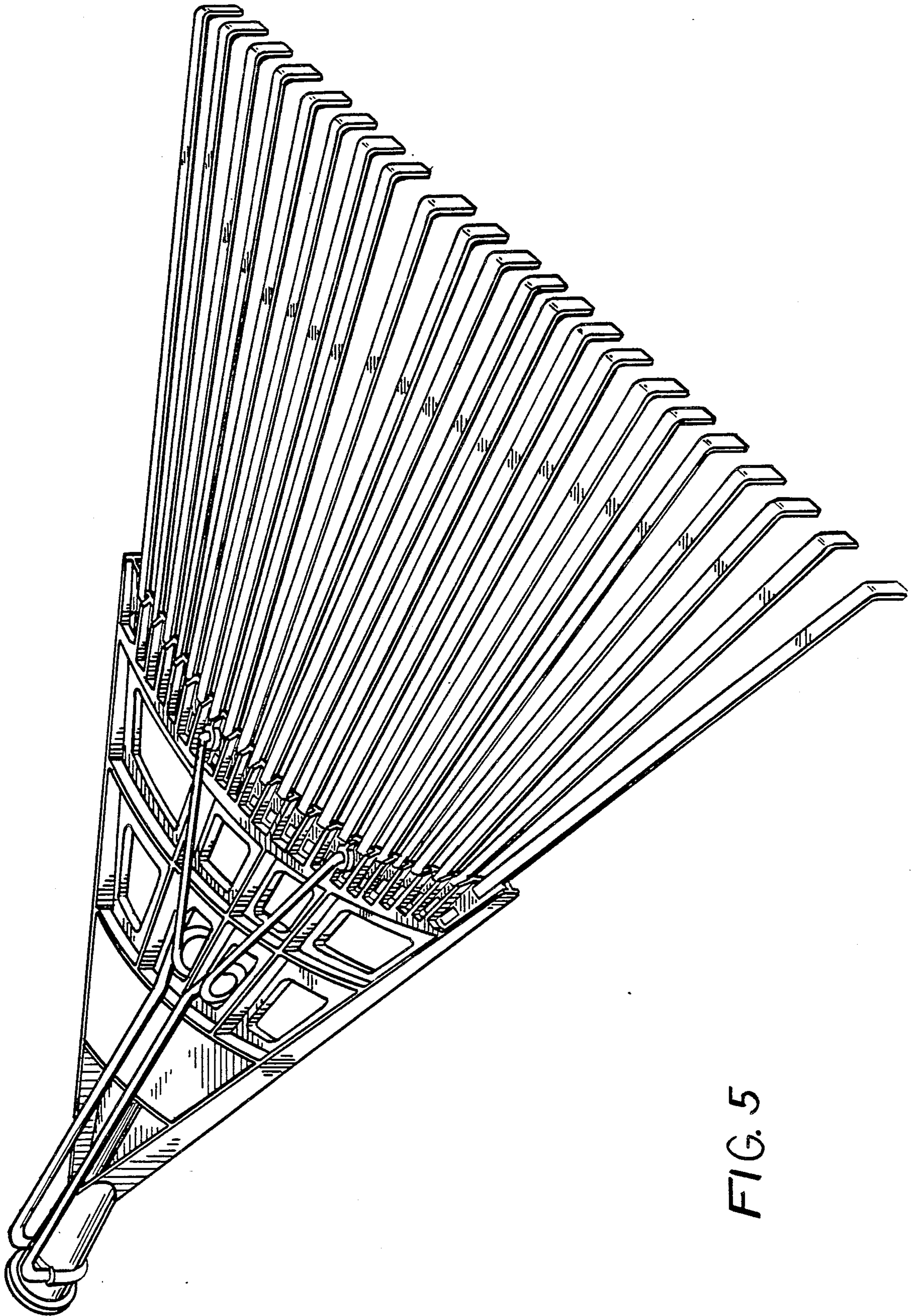


FIG. 5