

**United States Patent** [19]  
**Kim**

[11] **Patent Number: Des. 293,195**

[45] **Date of Patent: \*\* Dec. 15, 1987**

[54] **FOOD PROCESSOR**

[75] **Inventor: Young S. Kim, Terrace Sunnyvale, Calif.**

[73] **Assignee: Daewoo Electronics Co., Ltd., Seoul, Rep. of Korea**

[\*\*] **Term: 14 Years**

[21] **Appl. No.: 656,539**

[22] **Filed: Oct. 1, 1984**

[52] **U.S. Cl. .... D7/384**

[58] **Field of Search .... D7/376-386, D7/412; 241/92, 93, 37.5, 282.1, 282.2**

[56] **References Cited**

**U.S. PATENT DOCUMENTS**

D. 272,120 1/1984 Sawada et al. .... D7/378 X  
D. 282,620 2/1986 Cavalli ..... D7/384  
3,892,365 7/1975 Verdun ..... 241/92

4,111,372 9/1978 Hicks et al. .... 241/37.5  
4,113,188 9/1978 Belinkoff ..... 241/37.5  
4,184,641 1/1980 Coggiola ..... 241/37.5

*Primary Examiner*—Bernard Ansher  
*Assistant Examiner*—Linda Titolo  
*Attorney, Agent, or Firm*—Lackenbach Siegel Marzullo & Aronson

[57] **CLAIM**

The ornamental design for a food processor, as shown and described.

**DESCRIPTION**

FIG. 1 is a top perspective view of a food processor showing my new design;  
FIG. 2 is a top plan view thereof;  
FIG. 3 is a front elevational view thereof;  
FIG. 4 is a rear elevational view thereof;  
FIG. 5 is a bottom plan view thereof;  
FIG. 6 is a right side elevational view thereof; and  
FIG. 7 is a left side elevational view thereof.

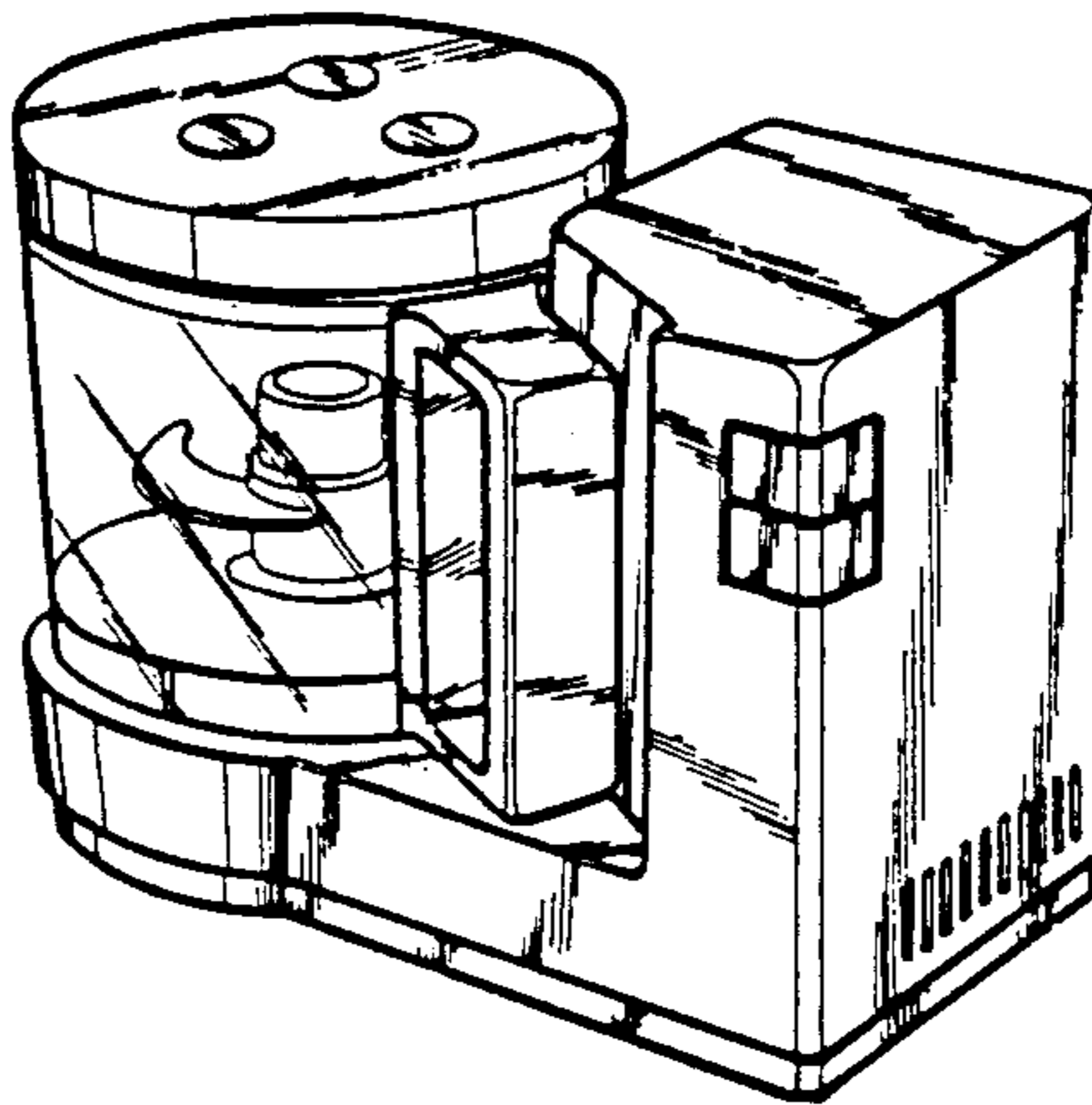


FIG. 1

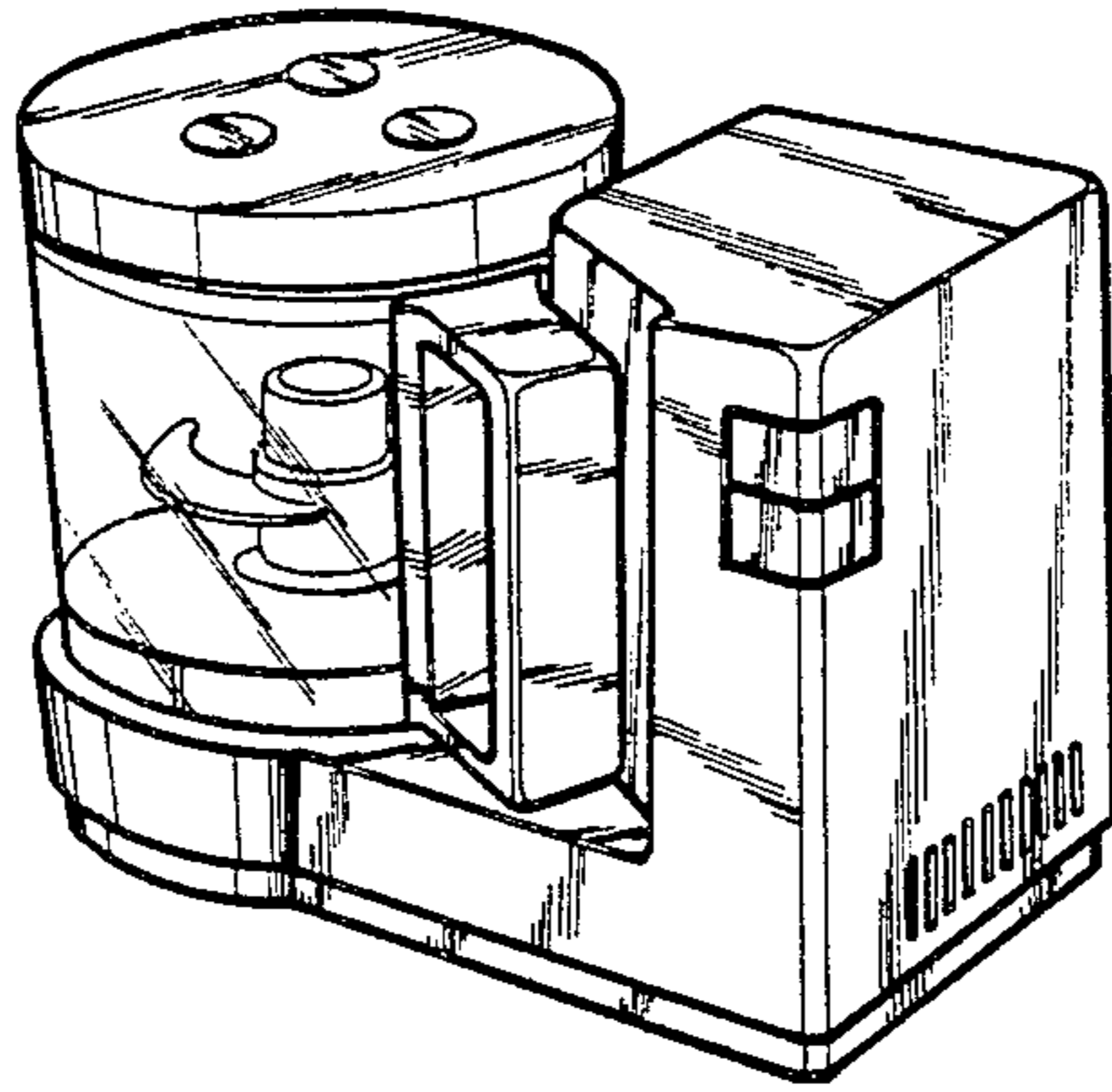


FIG. 2

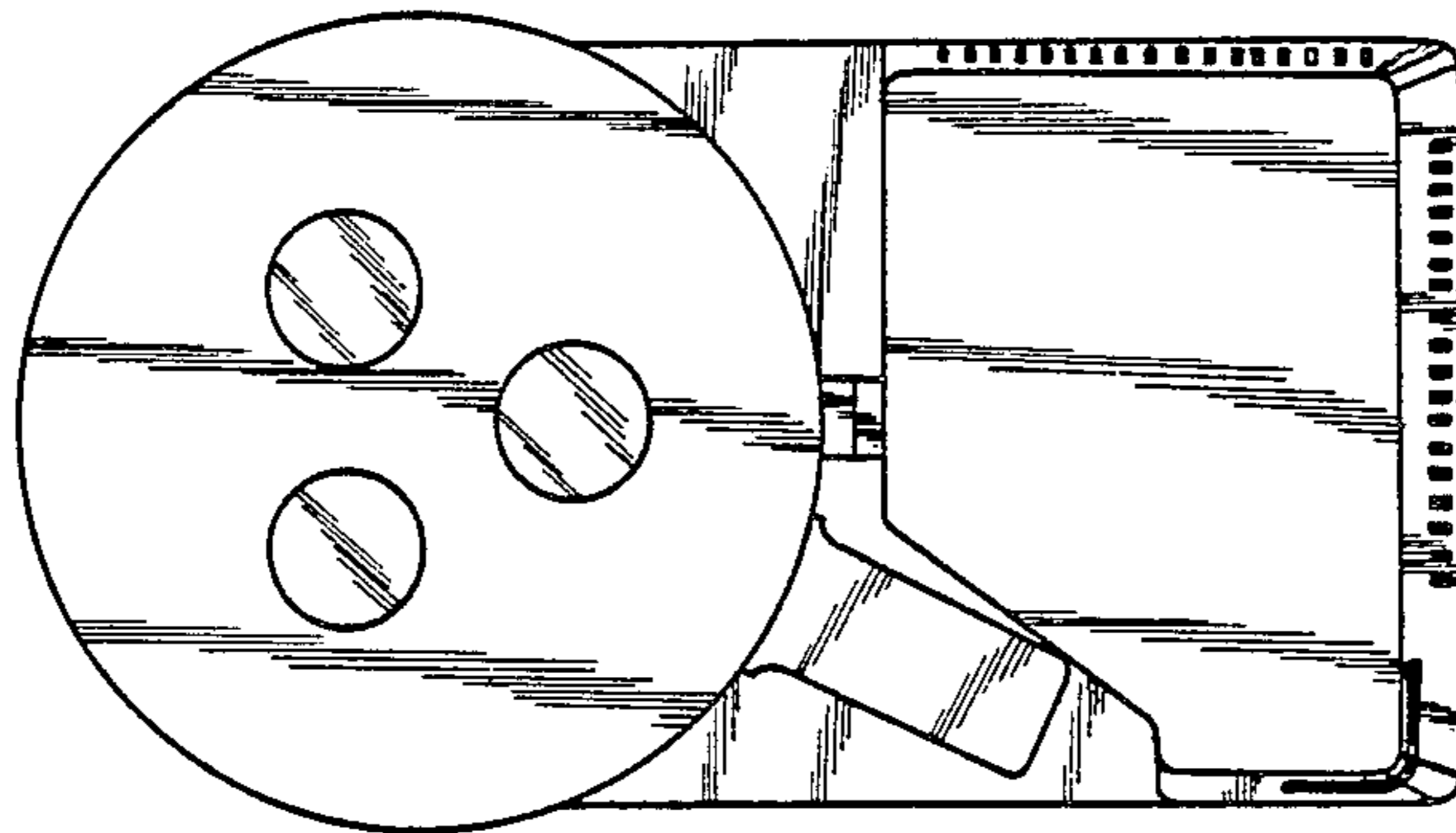


FIG. 3

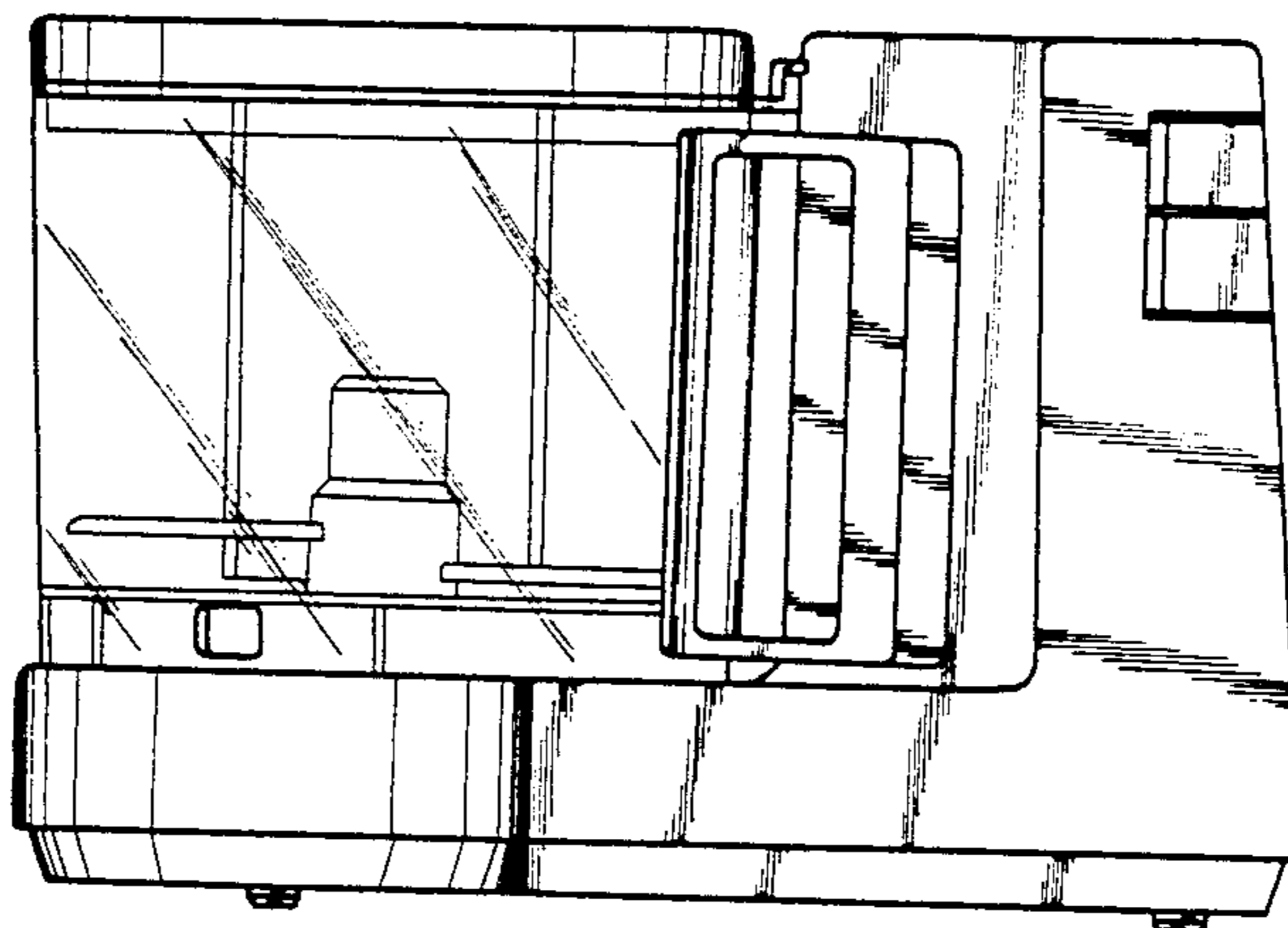


FIG. 4

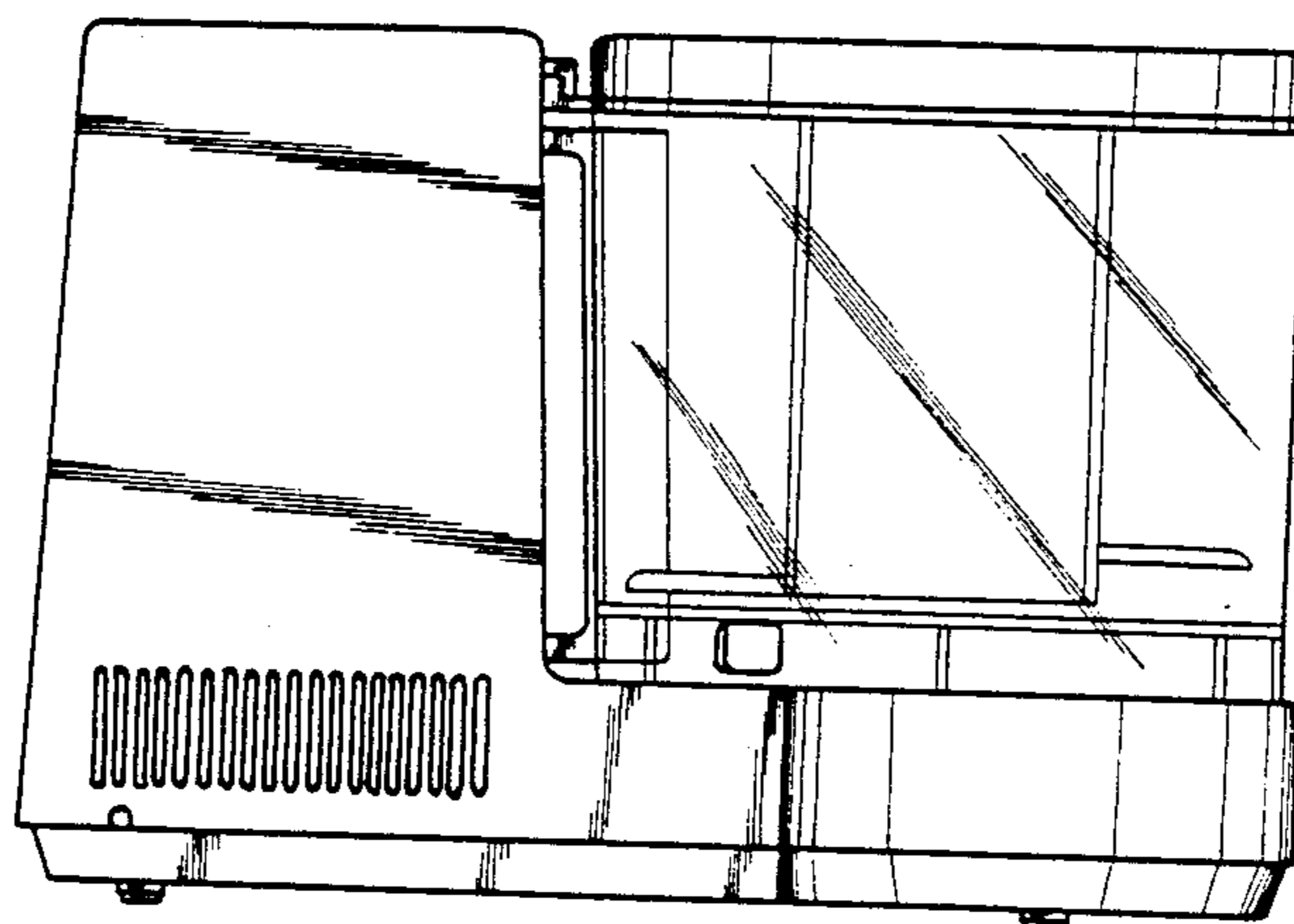


FIG. 5

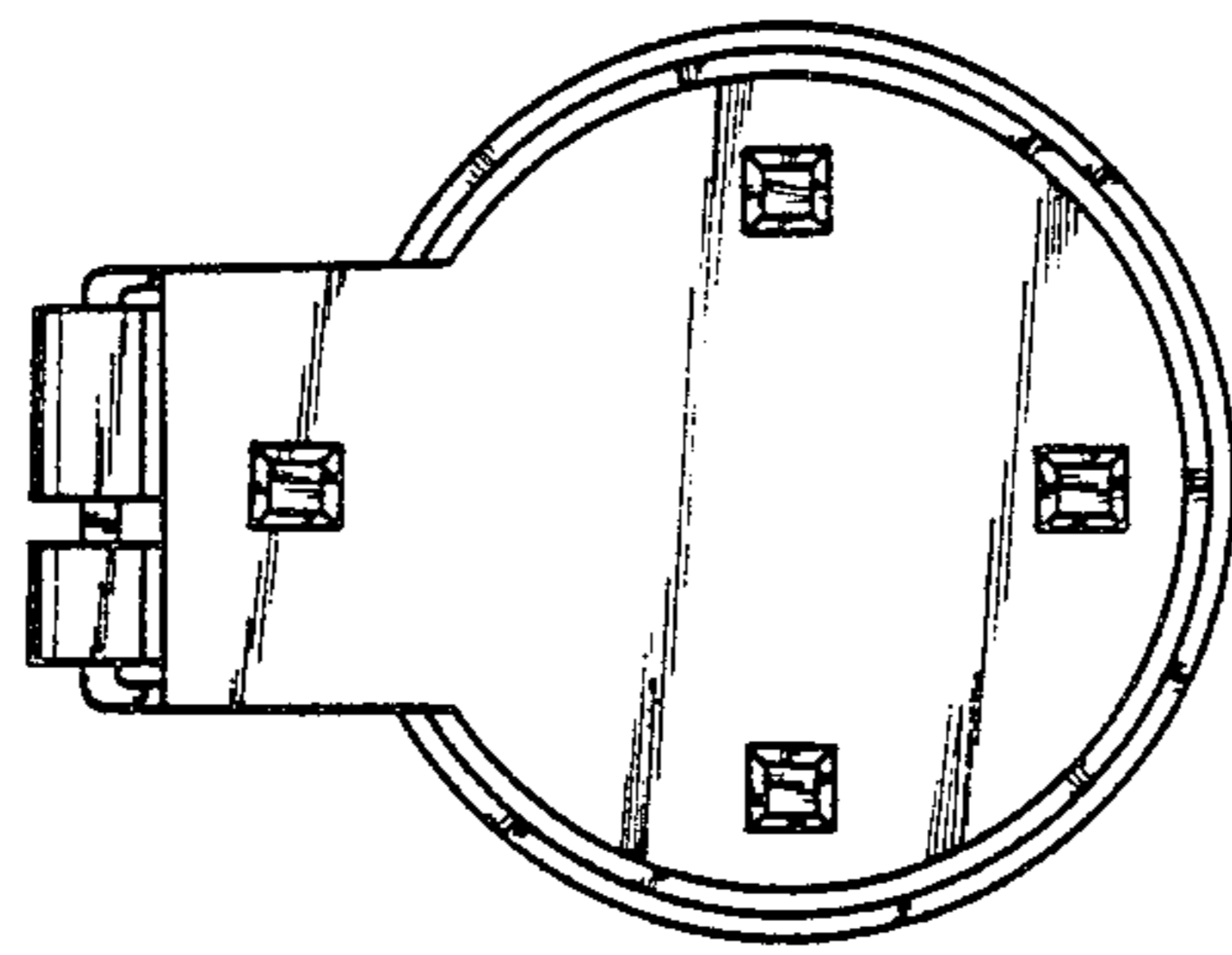


FIG. 6

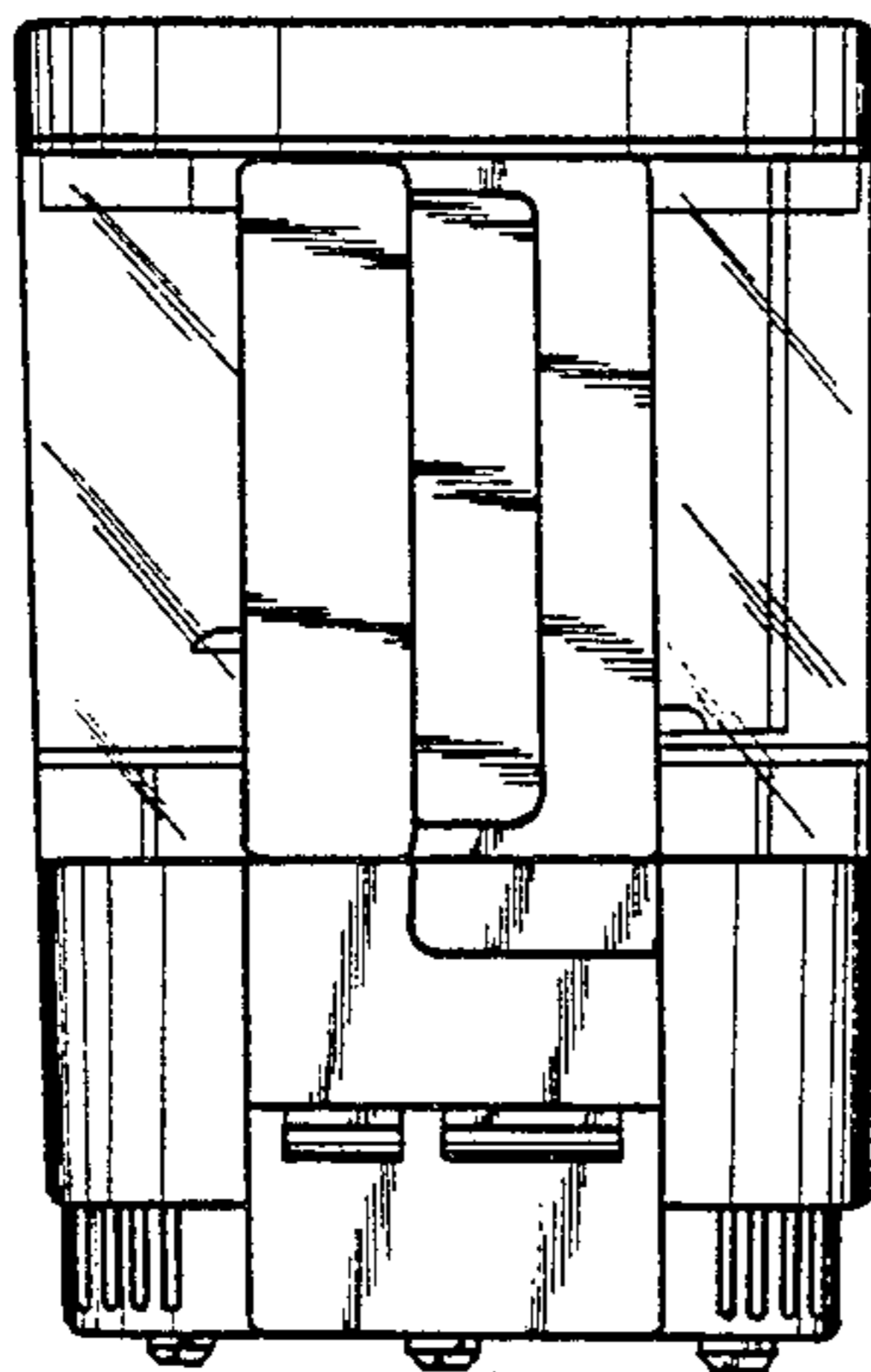


FIG. 7

