

# United States Patent [19]

Vandervoort

[11] Patent Number: Des. 293,193

[45] Date of Patent: \*\* Dec. 15, 1987

[54] BREAD DOUGH TRAY

[75] Inventor: David L. Vandervoort, Orange County, Calif.

[73] Assignee: Bridgford Foods Corporation, Anaheim, Calif.

[\*\*] Term: 14 Years

[21] Appl. No.: 690,636

[22] Filed: Jan. 11, 1985

[52] U.S. CL ..... D7/357; D7/354

[58] Field of Search ..... D7/354, 357, 359, 360; 220/23.8, 72, 71; 99/425, 445, 446; 206/564

[56] **References Cited**

**U.S. PATENT DOCUMENTS**

D. 177,360	4/1956	Becker et al. ....	D7/359
D. 209,605	12/1967	Zoeller et al. ....	D7/359
D. 215,823	11/1969	Bridgford .....	D7/357 X
1,263,103	4/1918	Pfeil .....	220/23.8 X
1,568,742	1/1926	Jung .....	220/23.8 X
3,659,585	5/1972	Bay .....	99/425 X
4,195,747	4/1980	Hare .....	220/23.8 X
4,442,969	4/1984	Holden .....	220/72 X

*Primary Examiner*—Bernard Ansher  
*Assistant Examiner*—Linda Titolo  
*Attorney, Agent, or Firm*—Christie, Parker & Hale

[57] **CLAIM**

The ornamental design for a bread dough tray, as shown and described.

**DESCRIPTION**

FIG. 1 is a top perspective view of a bread dough tray showing my new design;  
FIG. 2 is a top plan view thereof;  
FIG. 3 is a side elevational view thereof, the opposite side being a mirror image thereof;  
FIG. 4 is an end elevational view thereof, the opposite end being a mirror image thereof;  
FIG. 5 is a bottom plan view thereof;  
FIG. 6 is a cross-sectional view thereof taken on line 6—6 of FIG. 2;  
FIG. 7 is a cross-sectional view thereof taken on line 7—7 of FIG. 2;  
FIG. 8 is a cross-sectional view thereof taken on line 8—8 of FIG. 2; and  
FIG. 9 is a cross-sectional view thereof taken on line 9—9 of FIG. 2.

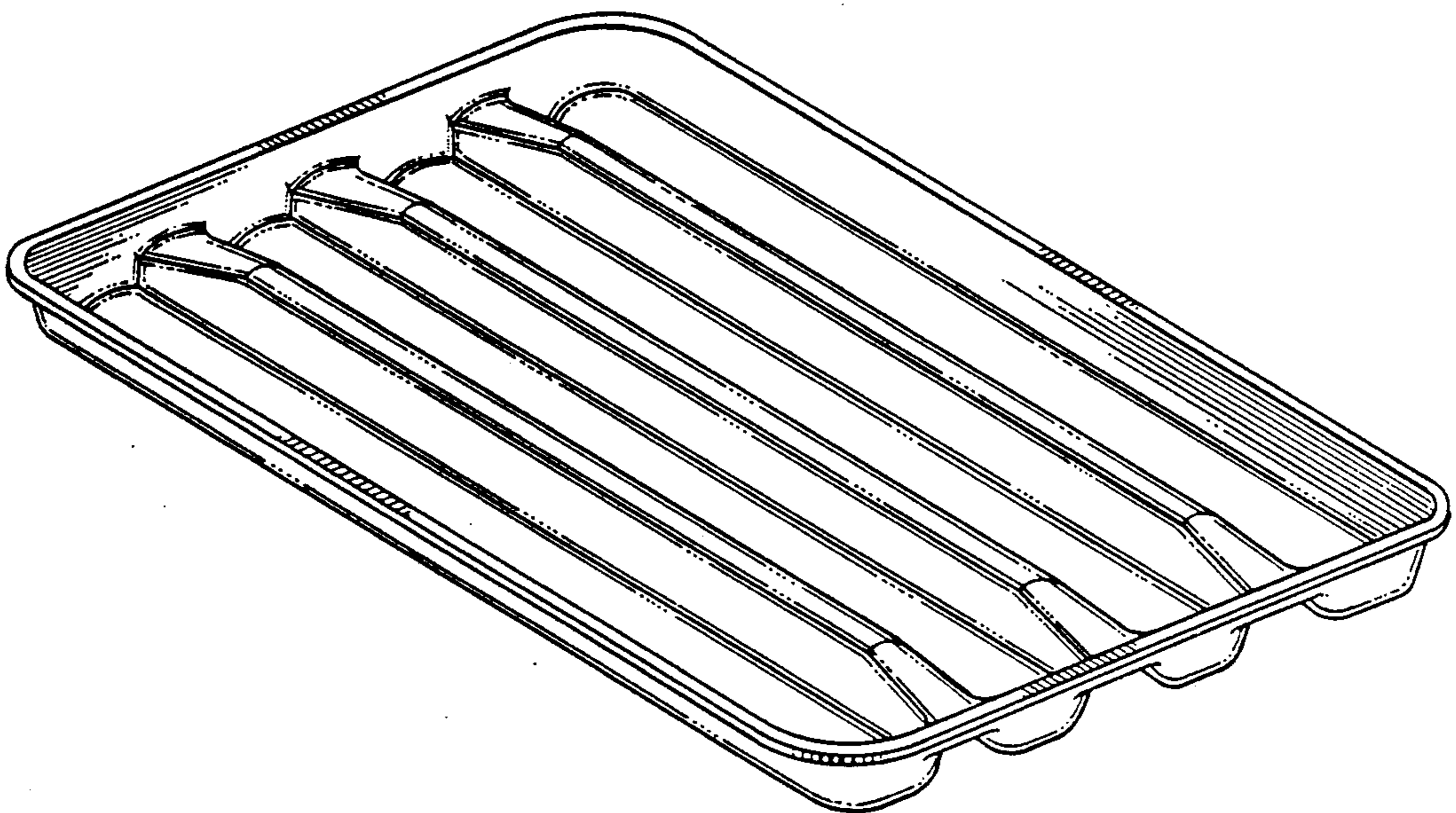


FIG. 1.

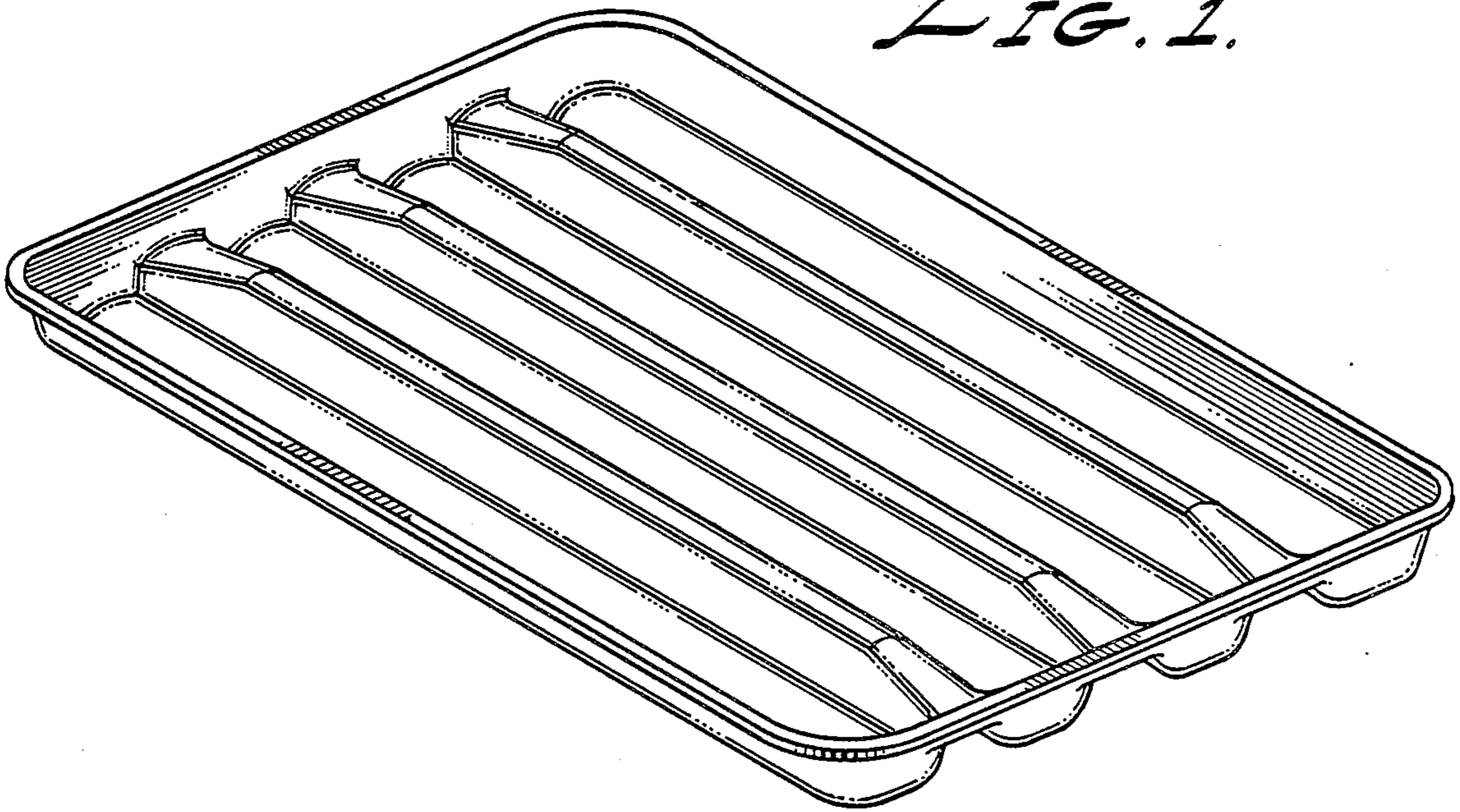
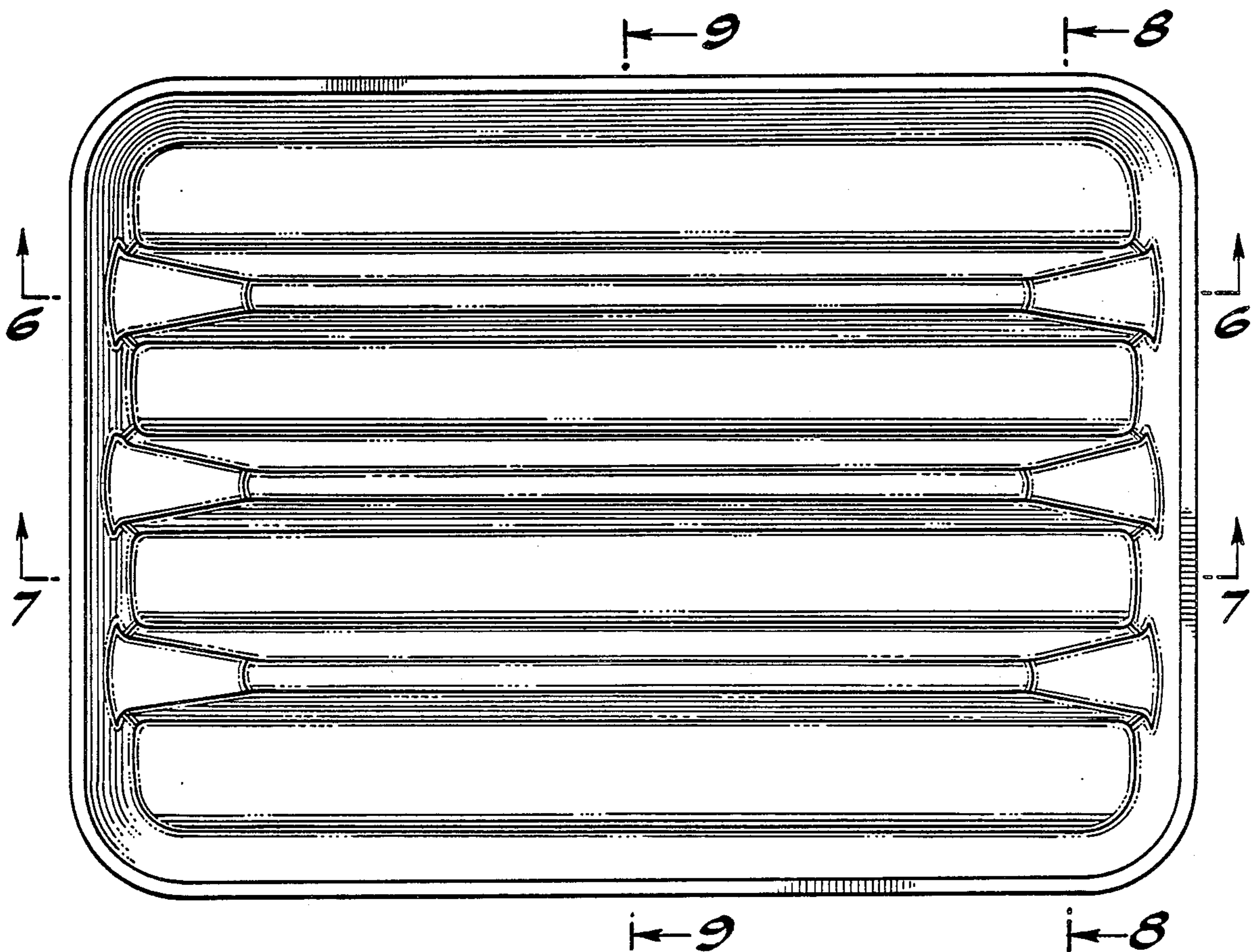
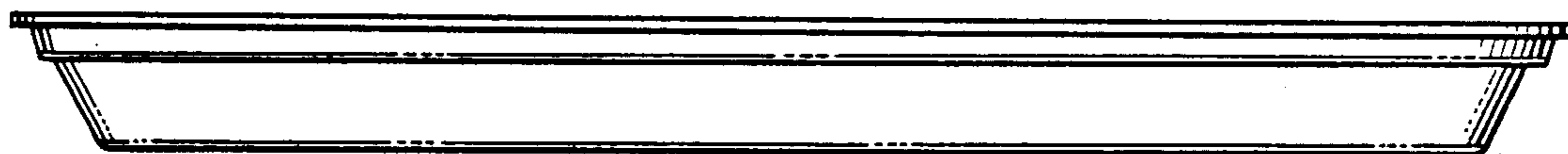


FIG. 2

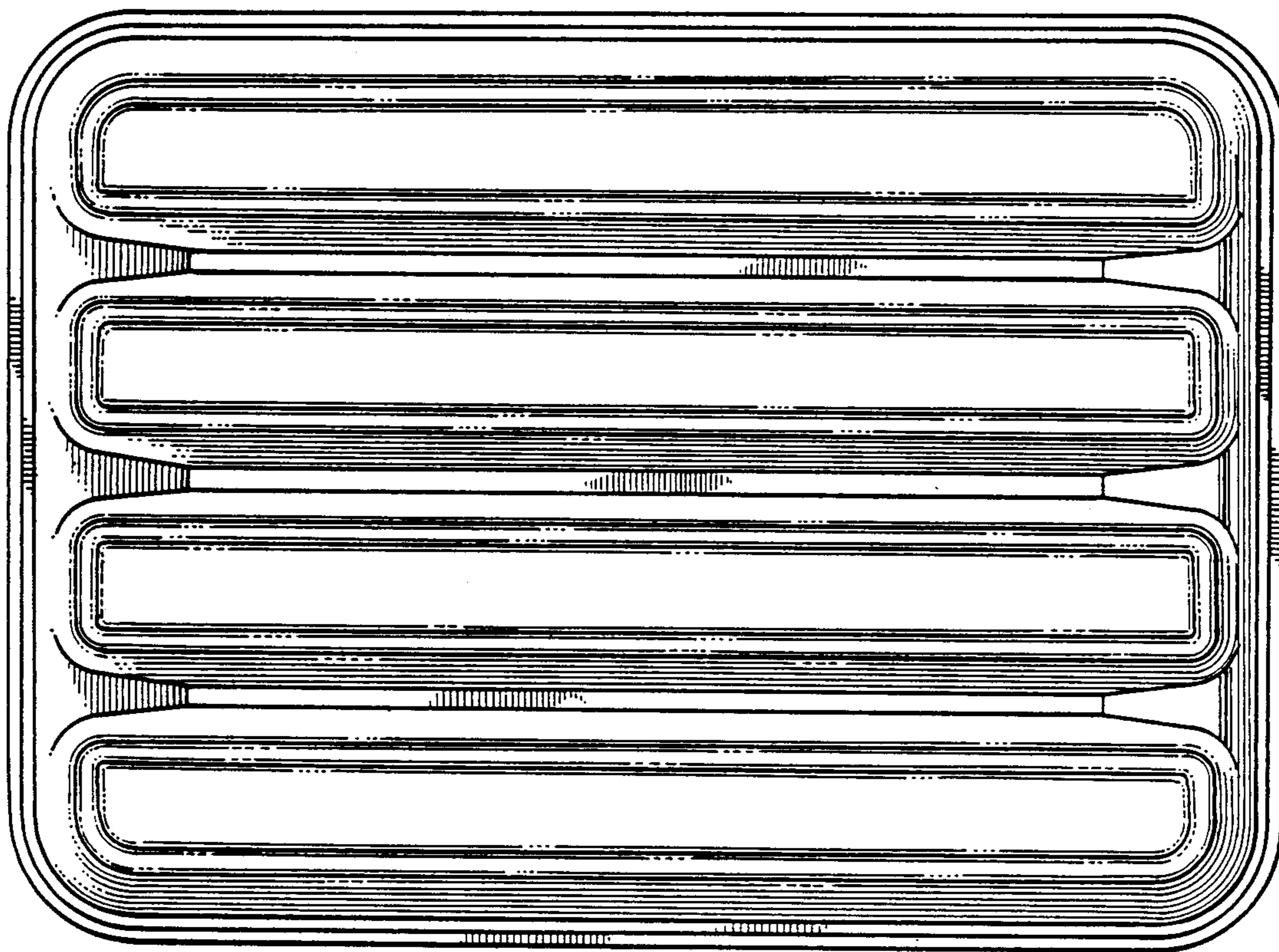




*FIG. 3*



*FIG. 4*



*FIG. 5*

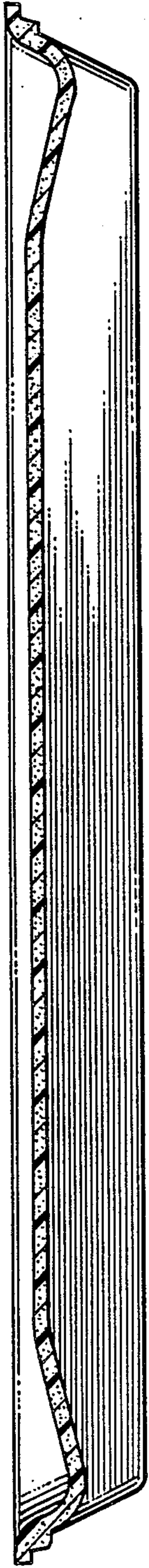


FIG. 6

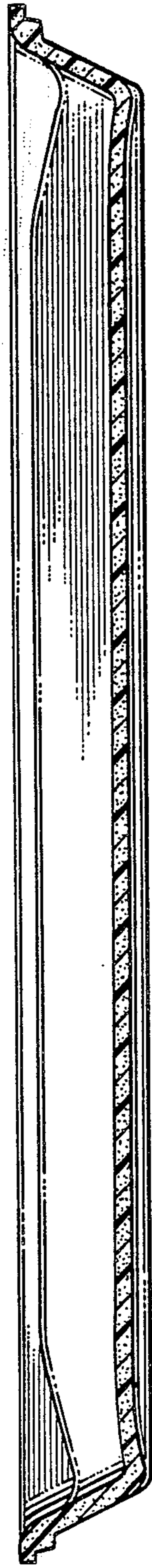


FIG. 7

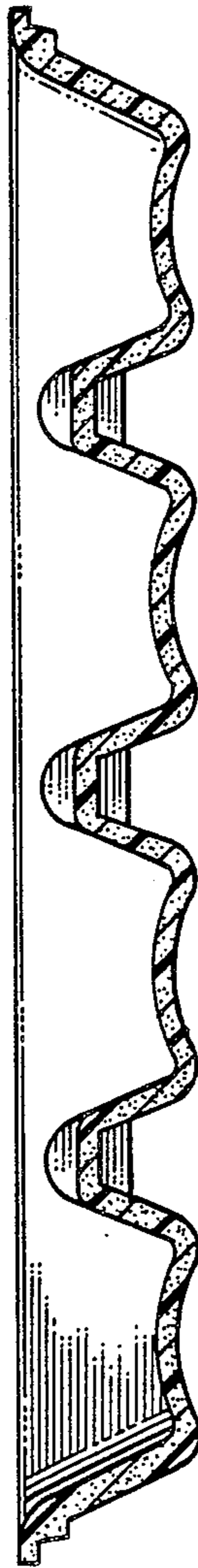


FIG. 8

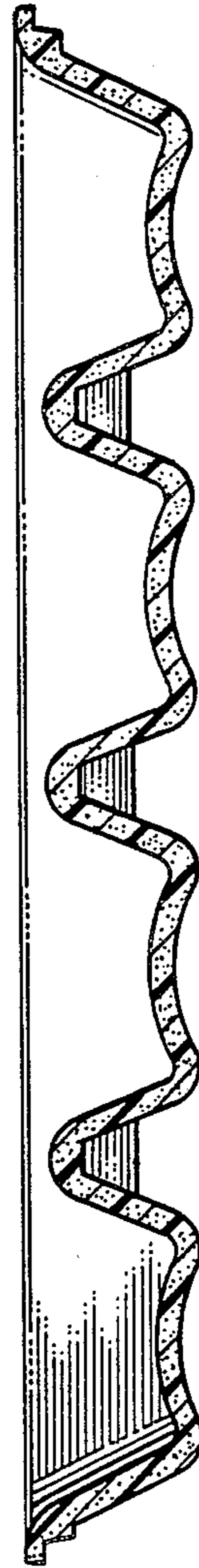


FIG. 9