

# United States Patent [19]

Stephen et al.

[11] Patent Number: Des. 293,191

[45] Date of Patent: \*\* Dec. 15, 1987

[54] PORTABLE OUTDOOR FIREPLACE

[75] Inventors: James C. Stephen, Arlington Heights; Charles W. Lohmeyer, Barrington; Bernard B. Bluestein, Des Plaines, all of Ill.

[73] Assignee: Weber-Stephen Products Co., Palatine, Ill.

[\*\*] Term: 14 Years

[21] Appl. No.: 737,726

[22] Filed: May 28, 1985

[52] U.S. Cl. .... D7/332

[58] Field of Search ..... D7/331-337, D7/341-342, 345, 347-348, 408-409; 99/419, 421 R, 421 A, 421 H, 421 HV, 444-446, 449-450; 126/25 R, 25 A, 25 AA, 25 B, 26, 29-30, 2-3, 9 R, 36, 59, 152 R, 150 A, 152 B, 153-154

[56] **References Cited**

**U.S. PATENT DOCUMENTS**

- D. 200,137 1/1965 Hanna ..... D7/337
- D. 284,929 8/1986 Schlosser et al. .... D7/332

- 3,981,292 9/1976 Lilley et al. .... 126/126
- 4,216,760 8/1980 Wiggins ..... 126/120
- 4,273,096 6/1981 Hannebaum ..... 126/120
- 4,332,235 6/1982 Hannebaum ..... 126/120
- 4,498,452 2/1985 Schlosser et al. .... 126/9 R

**OTHER PUBLICATIONS**

Weber Unstoppable in '85, ©7/1984, p. 14, item 60001, Weber Kettle.

*Primary Examiner*—Wallace R. Burke

*Assistant Examiner*—Ruth Takemoto

*Attorney, Agent, or Firm*—Robert E. Wagner; Ralph R. Rath

[57] **CLAIM**

The ornamental design for a portable outdoor fireplace, as shown and described.

**DESCRIPTION**

FIG. 1 is a perspective view of a portable outdoor fireplace showing our new design; FIG. 2 is a top plan view thereof; FIG. 3 is a side elevational view thereof; FIG. 4 is a bottom plan view thereof; and, FIG. 5 is a side elevational view thereof in closed position.

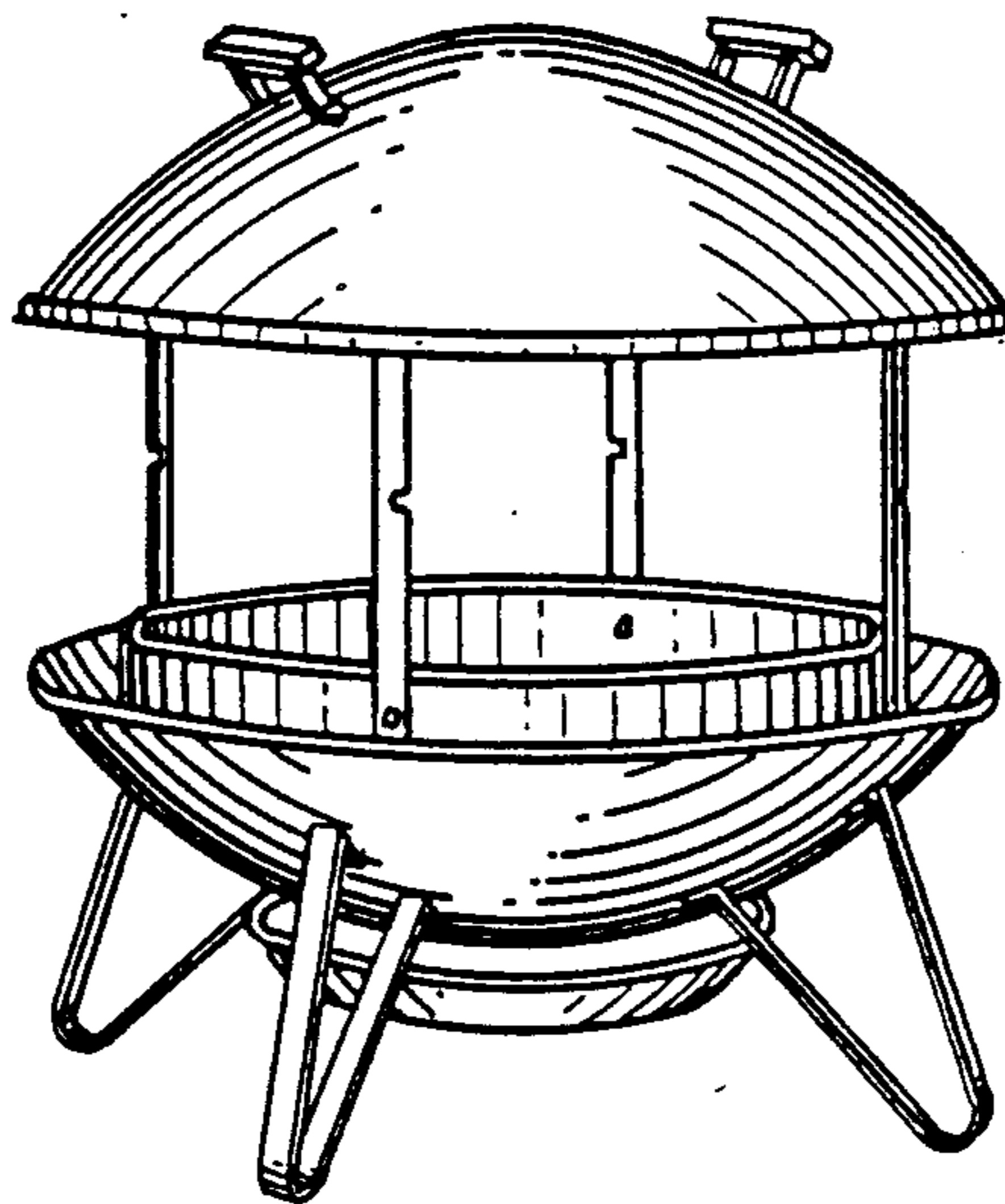


Fig. 1.

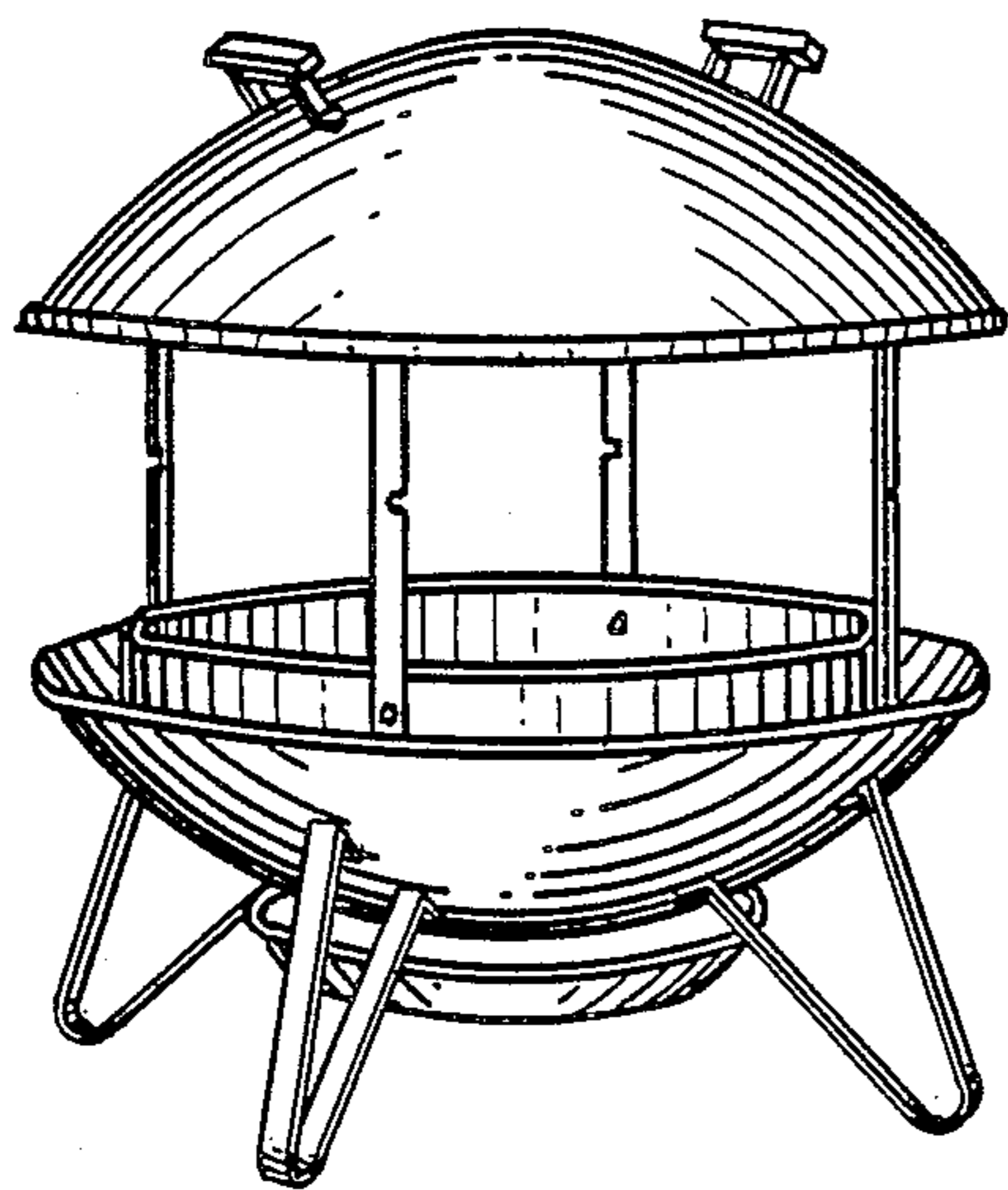


Fig. 2.

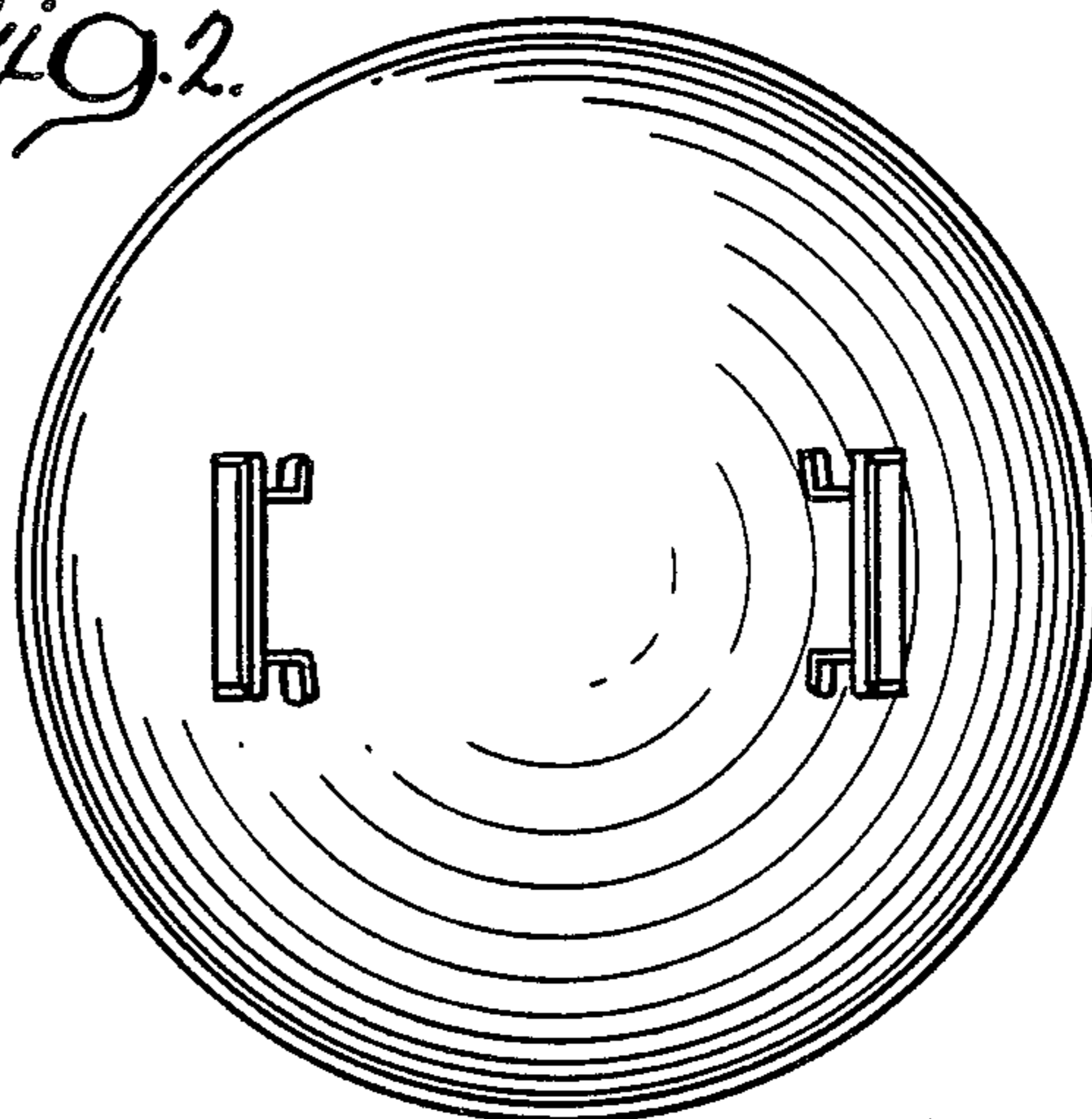


Fig. 3.

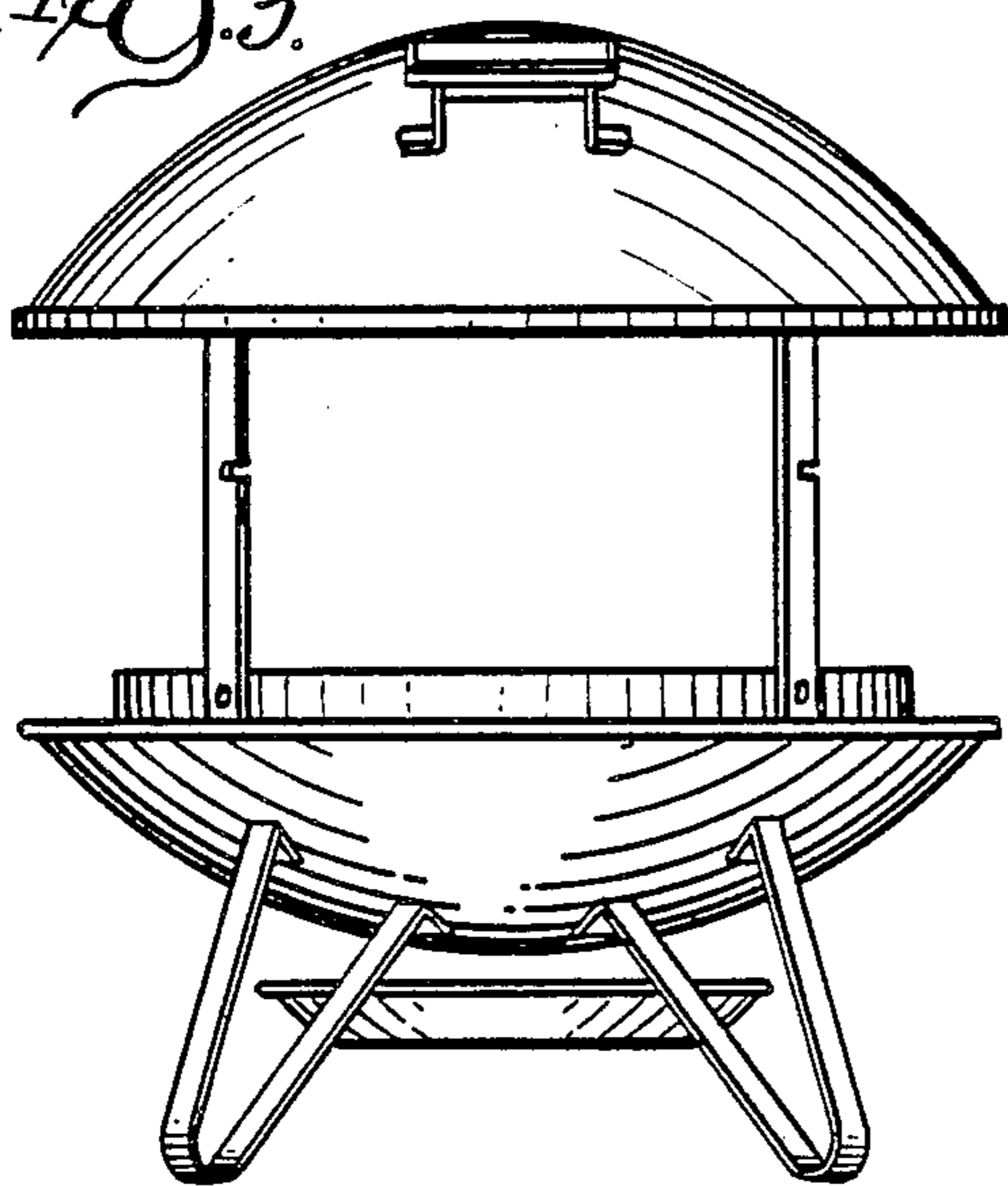


Fig. 4.

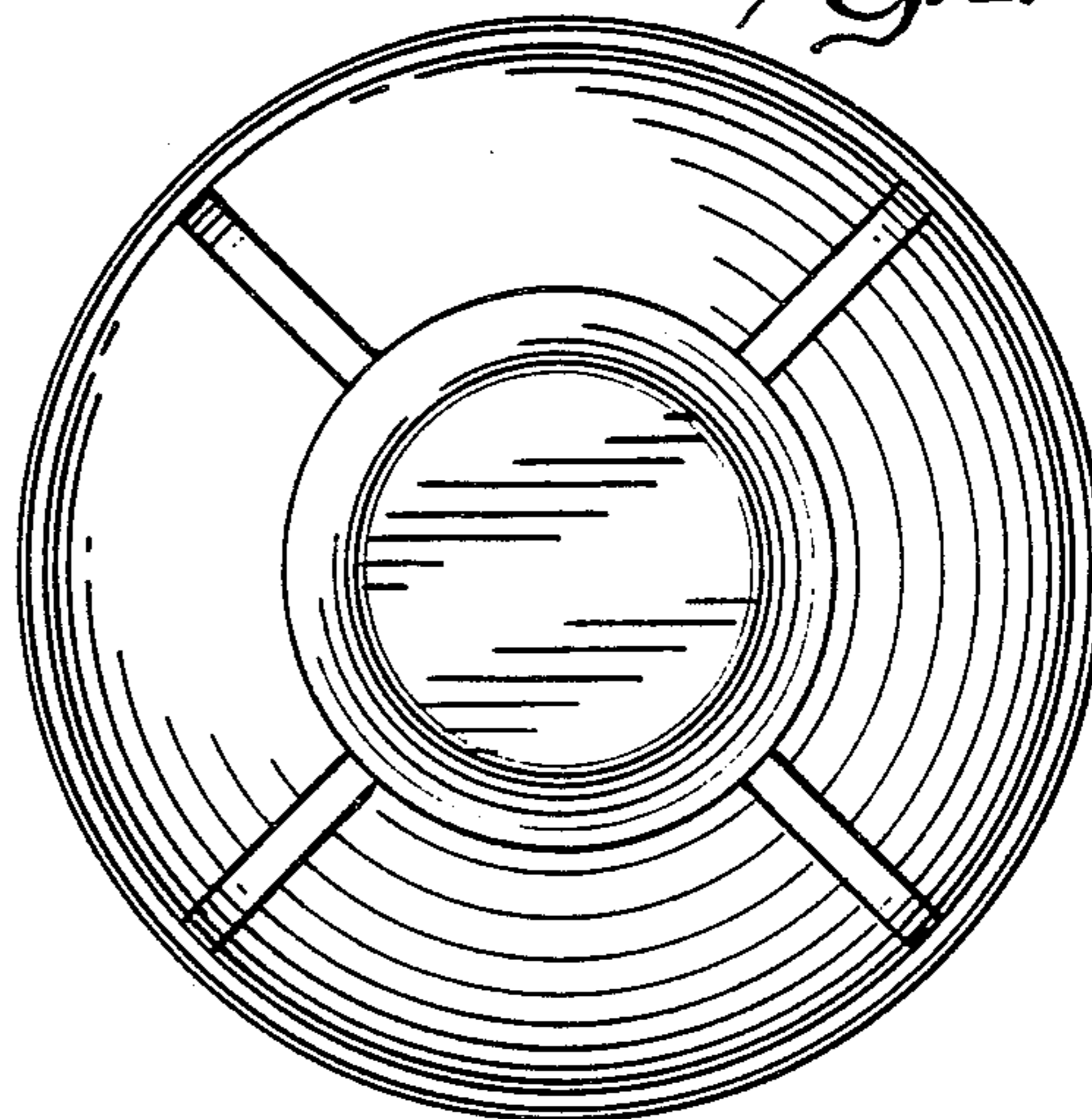


Fig. 5.

