

[54] TOWEL HOLDER
[75] Inventor: John P. Chap, Lemont, Ill.
[73] Assignee: Selfix, Inc., Chicago, Ill.
[**] Term: 14 Years
[21] Appl. No.: 689,084
[22] Filed: Jan. 4, 1985
[52] U.S. Cl. D6/546
[58] Field of Search D6/524, 546, 318;
211/16, 87, 165.1

[56] **References Cited**

U.S. PATENT DOCUMENTS

D. 206,199 11/1966 Zuckerman D6/518
D. 238,733 2/1976 Read et al. D6/546
D. 254,460 3/1980 Tegner D6/546
D. 270,503 9/1983 Cohen D6/546
3,272,469 9/1966 Dotty 211/105.1

OTHER PUBLICATIONS

Schöner Wohnen; 5/1981; p. 106sw; Hook (lower center; left of 24).

Sweet's Architectural cat. file; 1978; Sec. 10.16/Pa; p. 36; Towel Ring No. 1203.

Primary Examiner—B. J. Bullock

Attorney, Agent, or Firm—Dressler, Goldsmith, Shore, Sutker & Milnamow, Ltd.

[57] **CLAIM**

The ornamental design for a towel holder, substantially as shown and described.

DESCRIPTION

FIG. 1 is a front perspective view of a towel holder showing my new design;

FIG. 2 is a top plan view thereof, the bottom being unornamented;

FIG. 3 is a front elevational view thereof, the rear being unornamented;

FIG. 4 is a right side elevational view thereof;

FIG. 5 is a front elevational view of a second embodiment of the design of FIG. 1, the only difference being the configuration of the ring;

FIG. 6 is an enlarged sectional view taken on line 6—6 of FIG. 5;

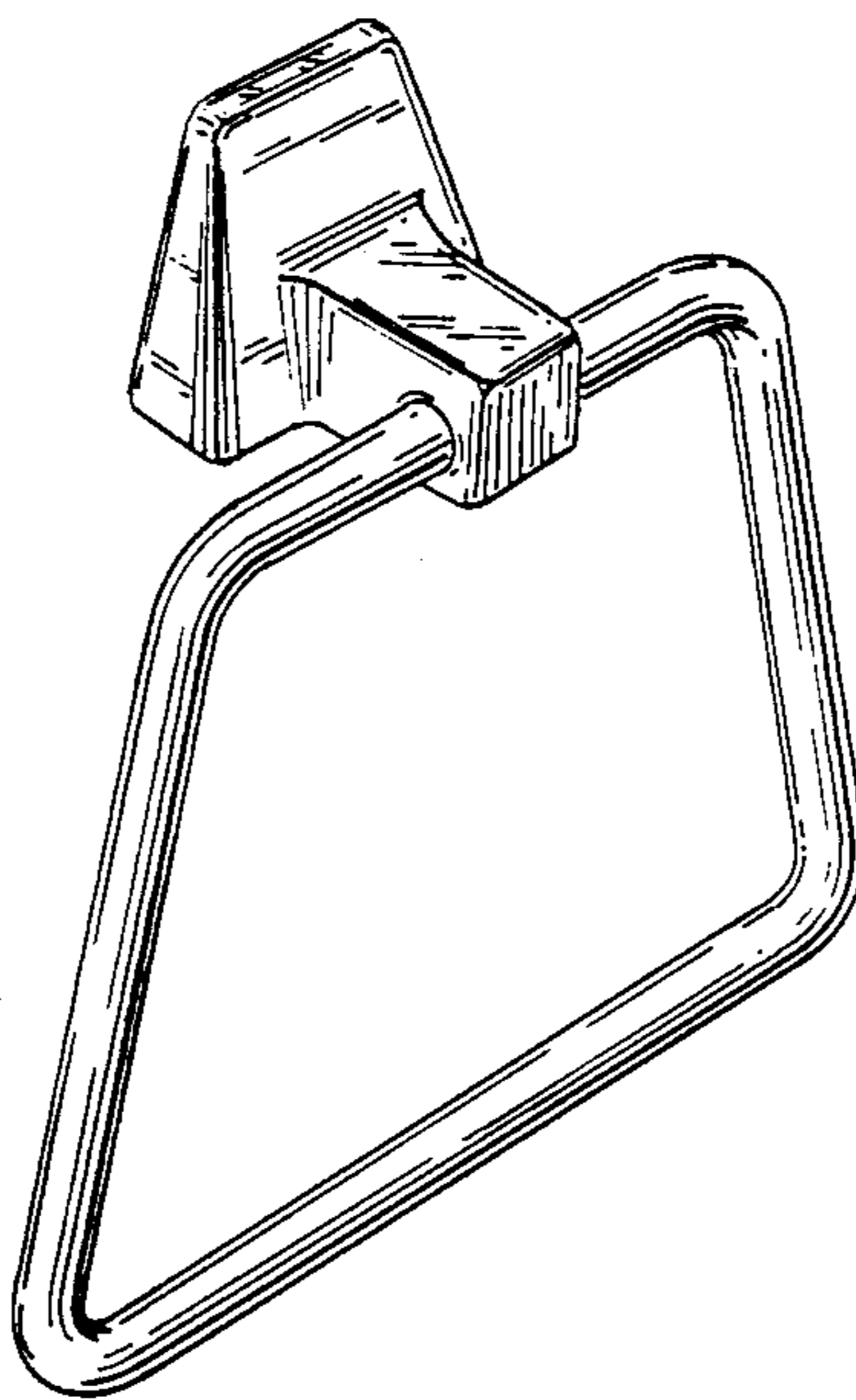
FIG. 7 is a perspective view of a third embodiment of the design of FIG. 1;

FIG. 8 is a top plan view of FIG. 7, the bottom being unornamented;

FIG. 9 is a front elevational view of FIG. 7, the rear being unornamented;

FIG. 10 is a left side elevational view of FIG. 7;

FIG. 11 is a right side elevational view of FIG. 7.



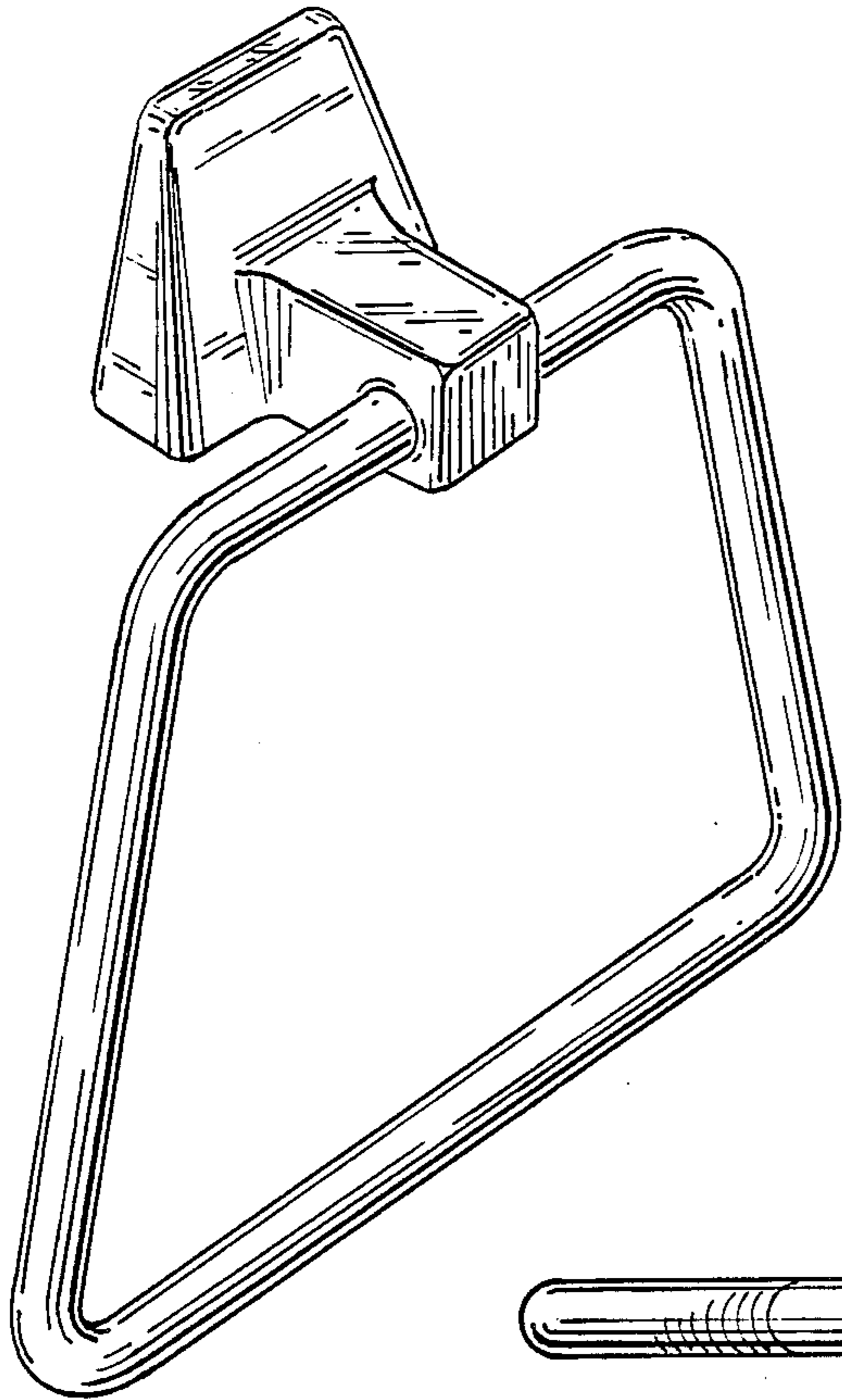


FIG. 1

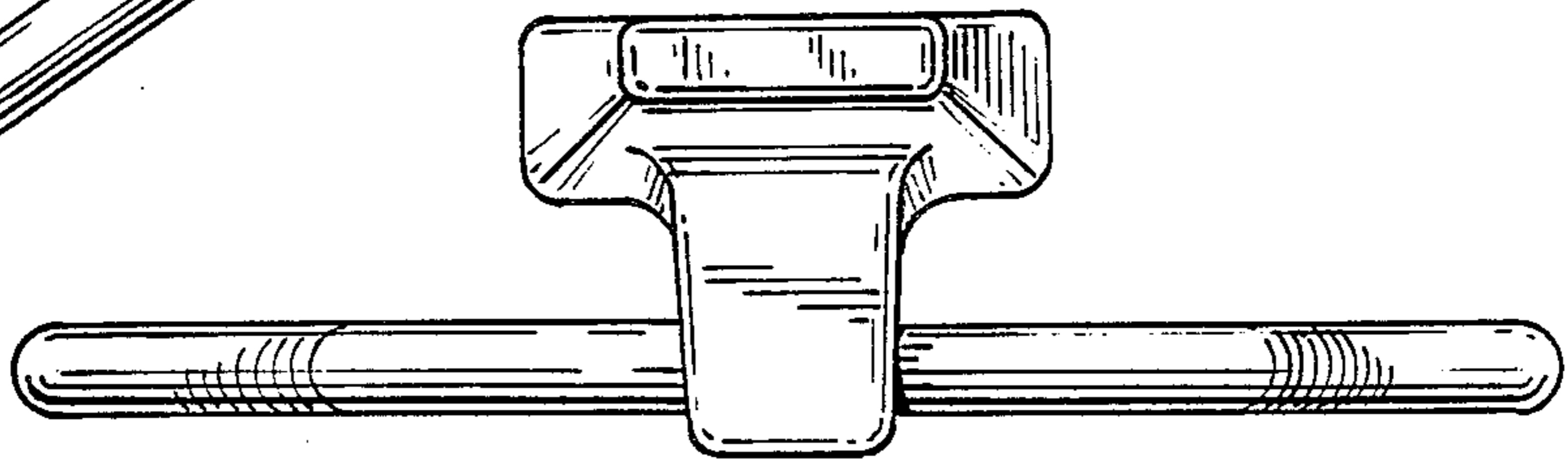


FIG. 2

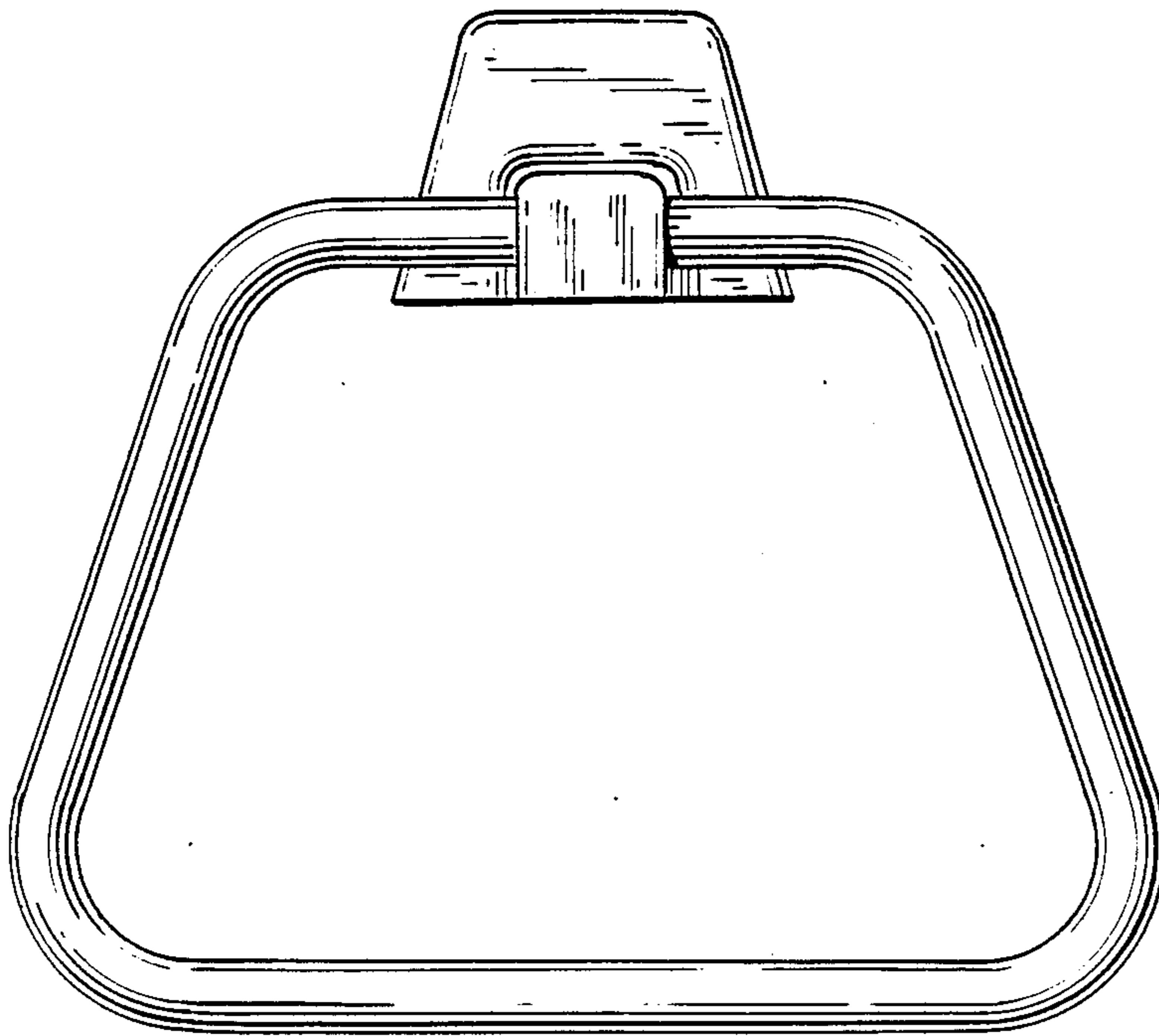


FIG. 3

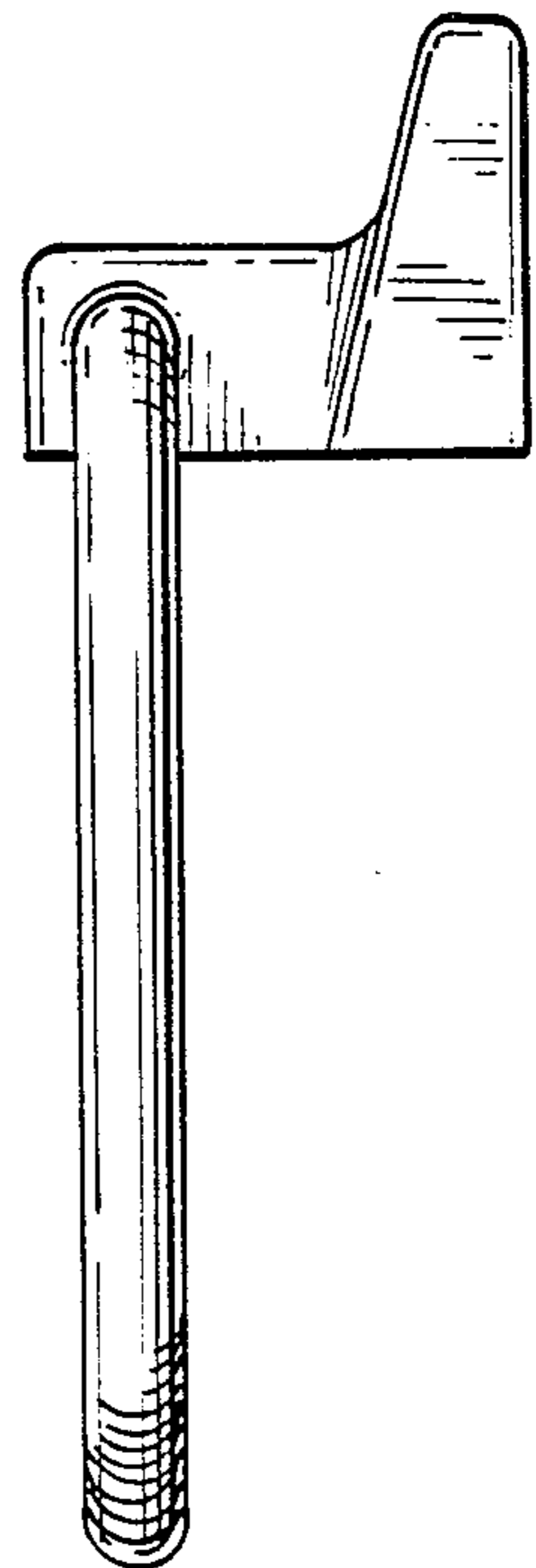


FIG. 4

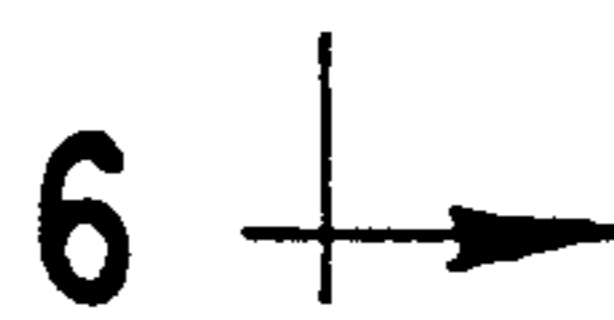
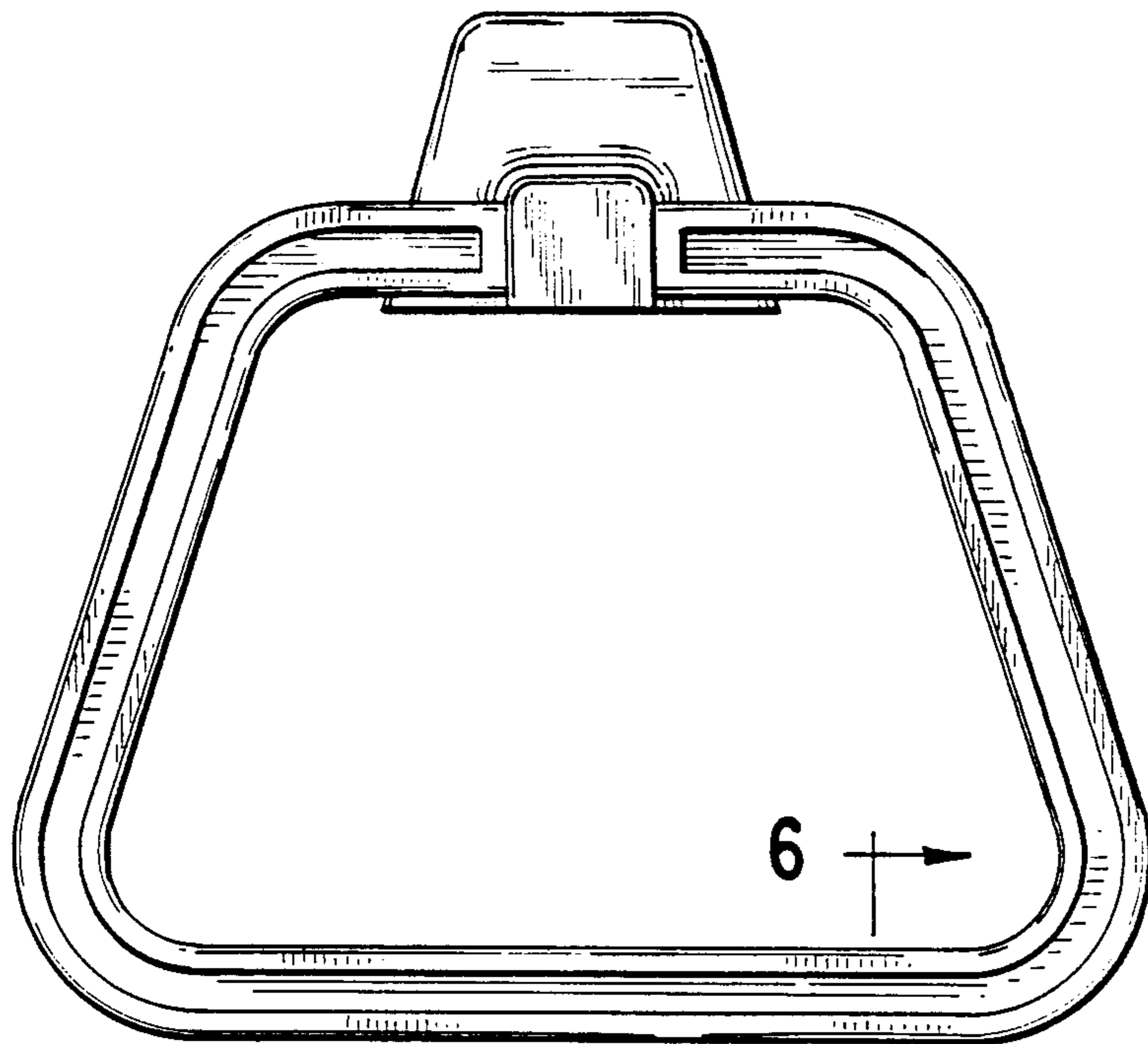


FIG. 5

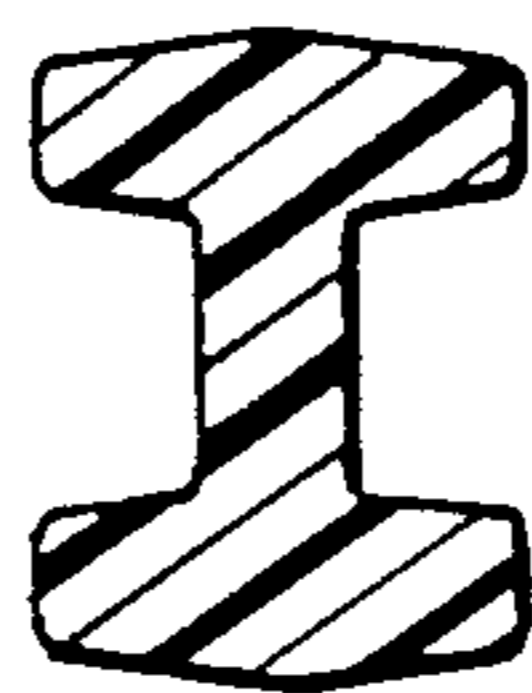


FIG. 6

FIG. 7

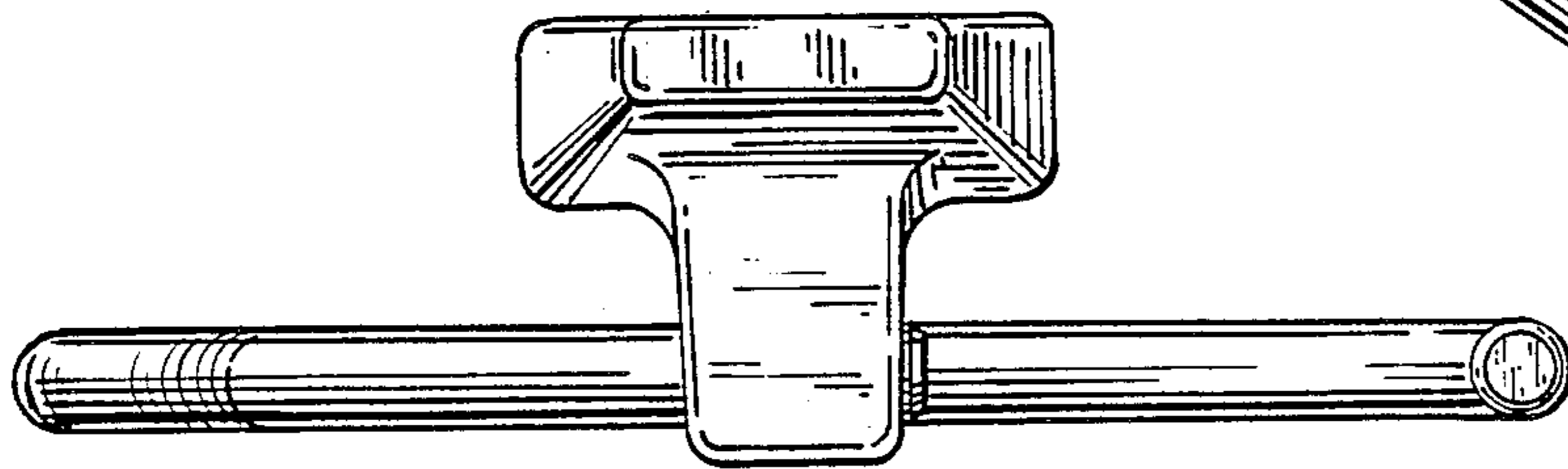
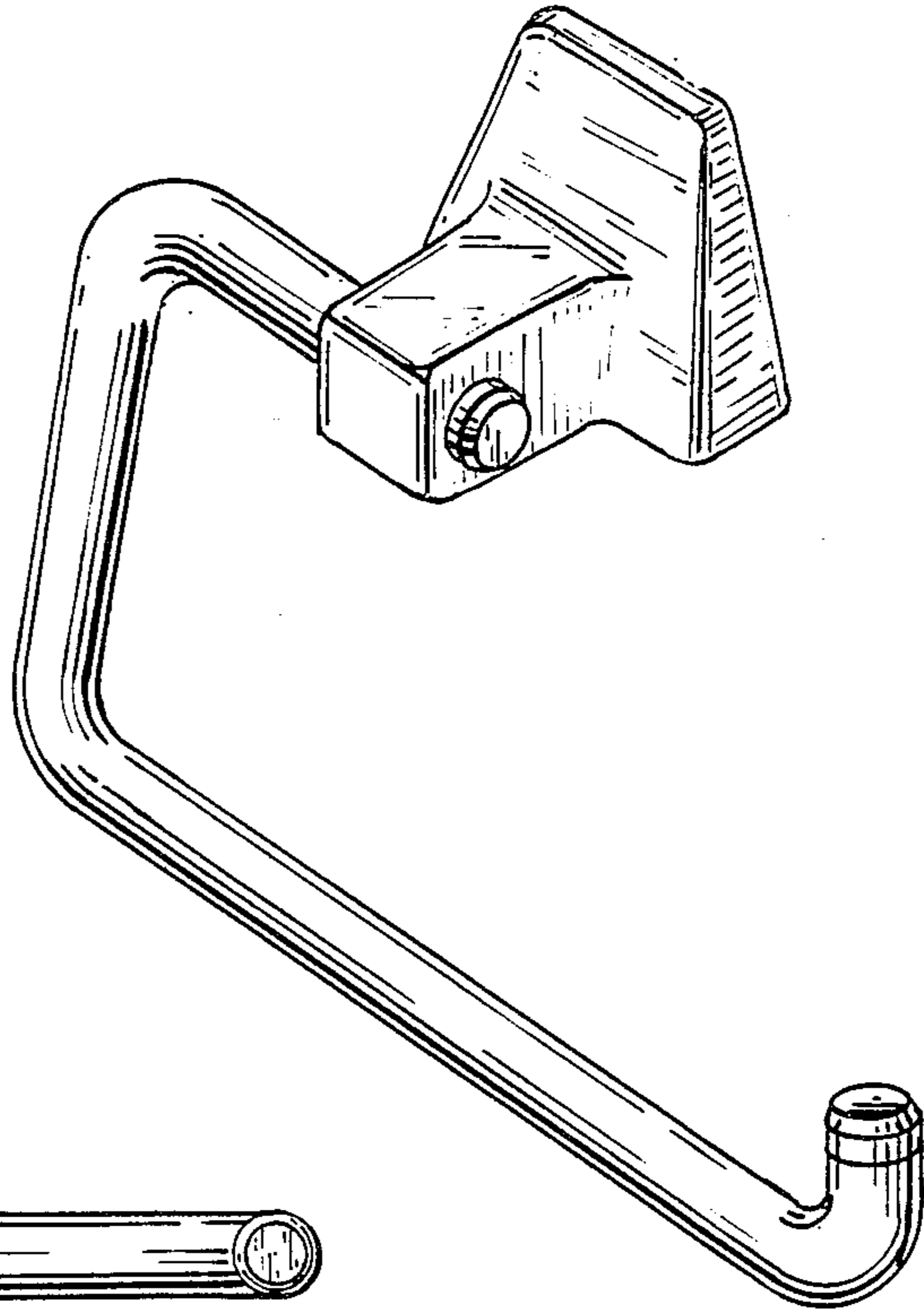


FIG. 8

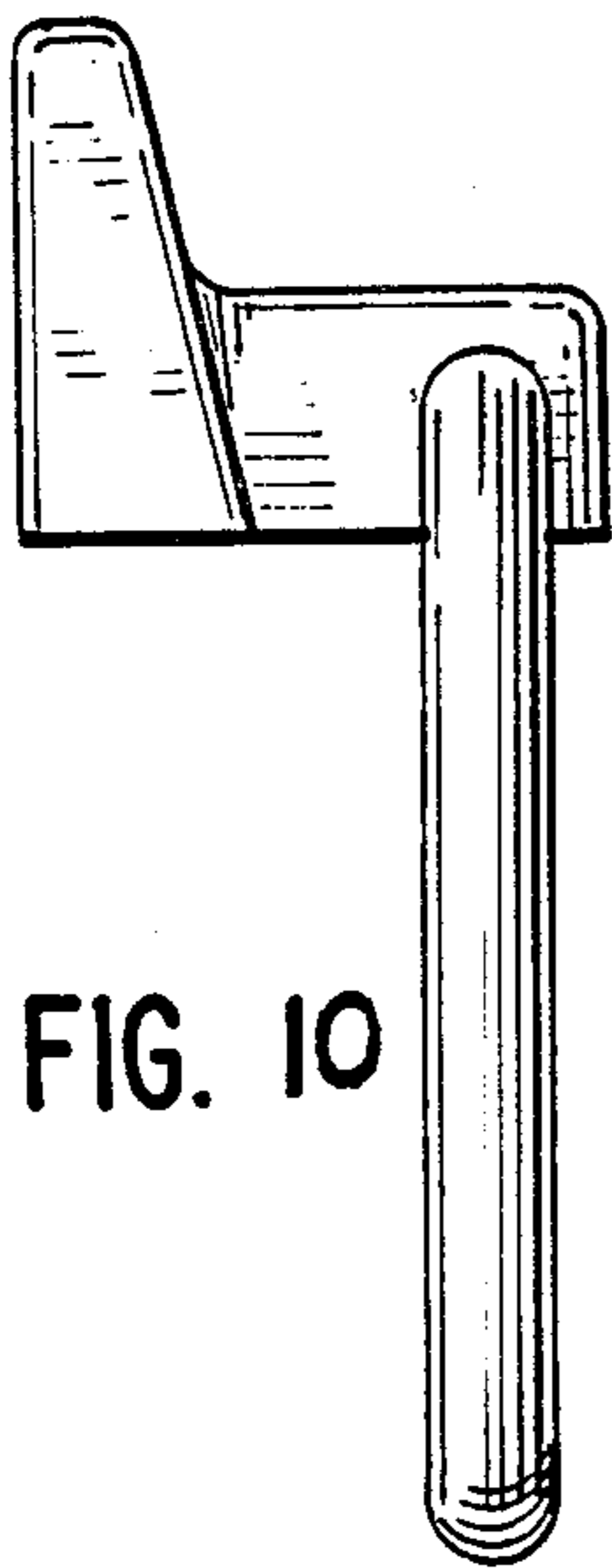


FIG. 10

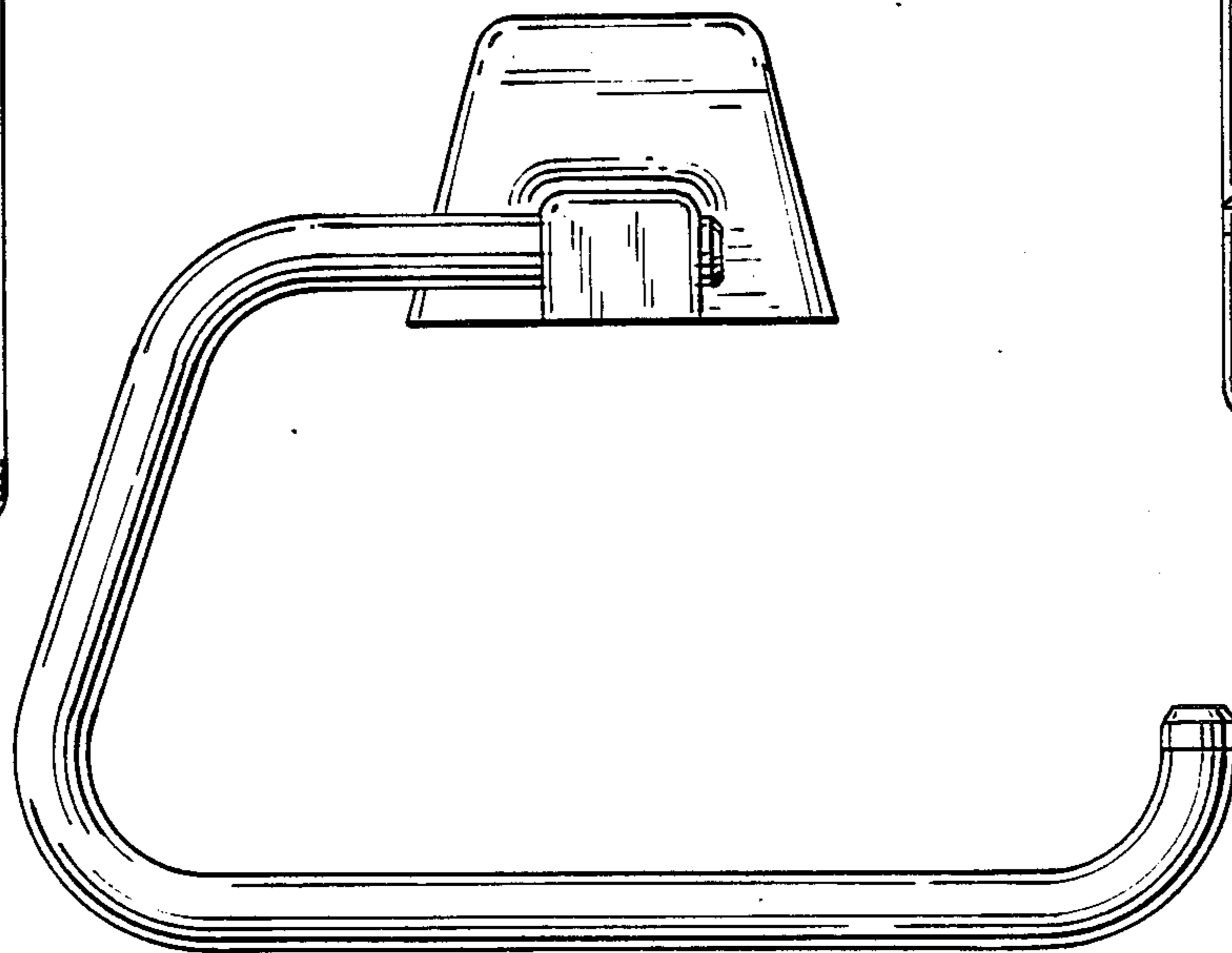


FIG. 9

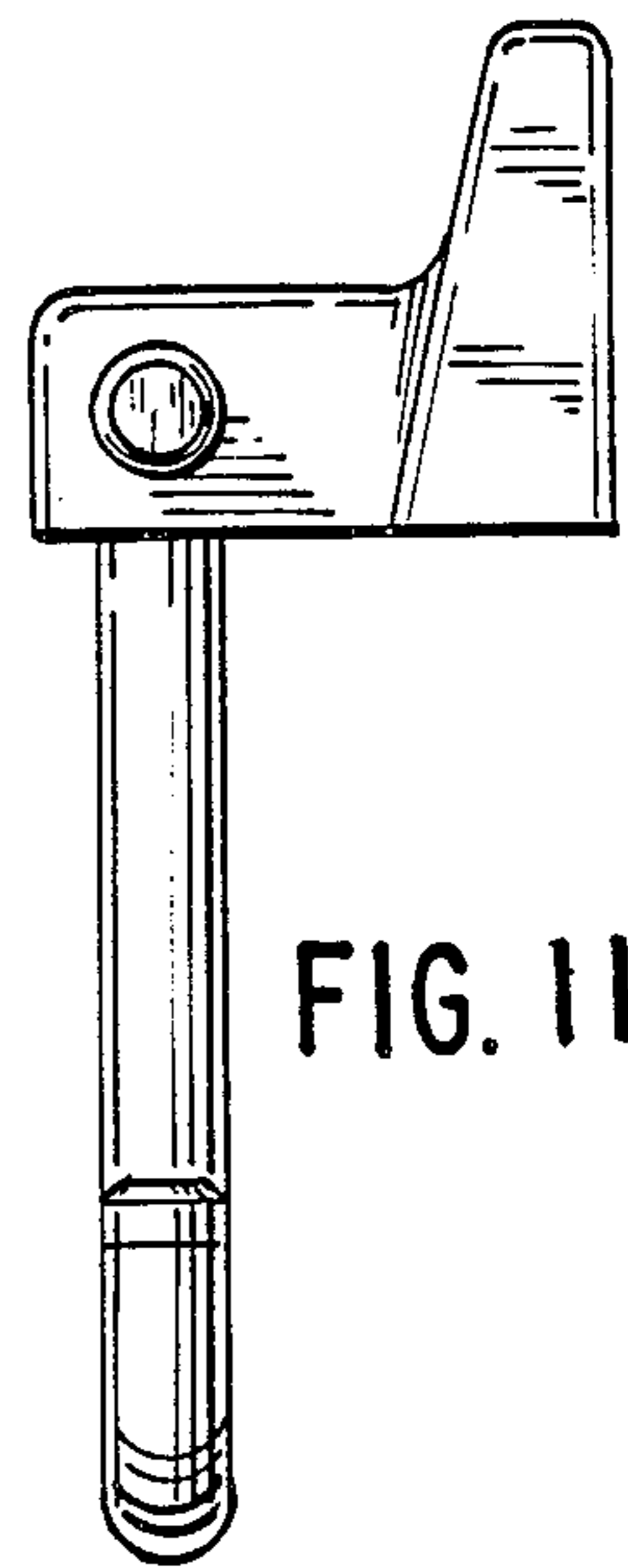


FIG. 11