

United States Patent [19]

Aaron

[11] Patent Number: **Des. 293,183**

[45] Date of Patent: **** Dec. 15, 1987**

[54] **BATH CADDY**
[76] Inventor: **Willard Aaron, 616 Skokie La. South,
Glencoe, Ill. 60022**
[**] Term: **14 Years**
[21] Appl. No.: **733,099**
[22] Filed: **May 13, 1985**
[52] U.S. Cl. **D6/525; D6/570**
[58] Field of Search **D6/525, 540, 570;
211/88, 113**

4,387,811 7/1983 Ragir et al. 211/119
4,494,661 1/1985 Krusche 211/88
4,573,591 3/1986 Chap 211/113

Primary Examiner—B. J. Bullock

[57] CLAIM

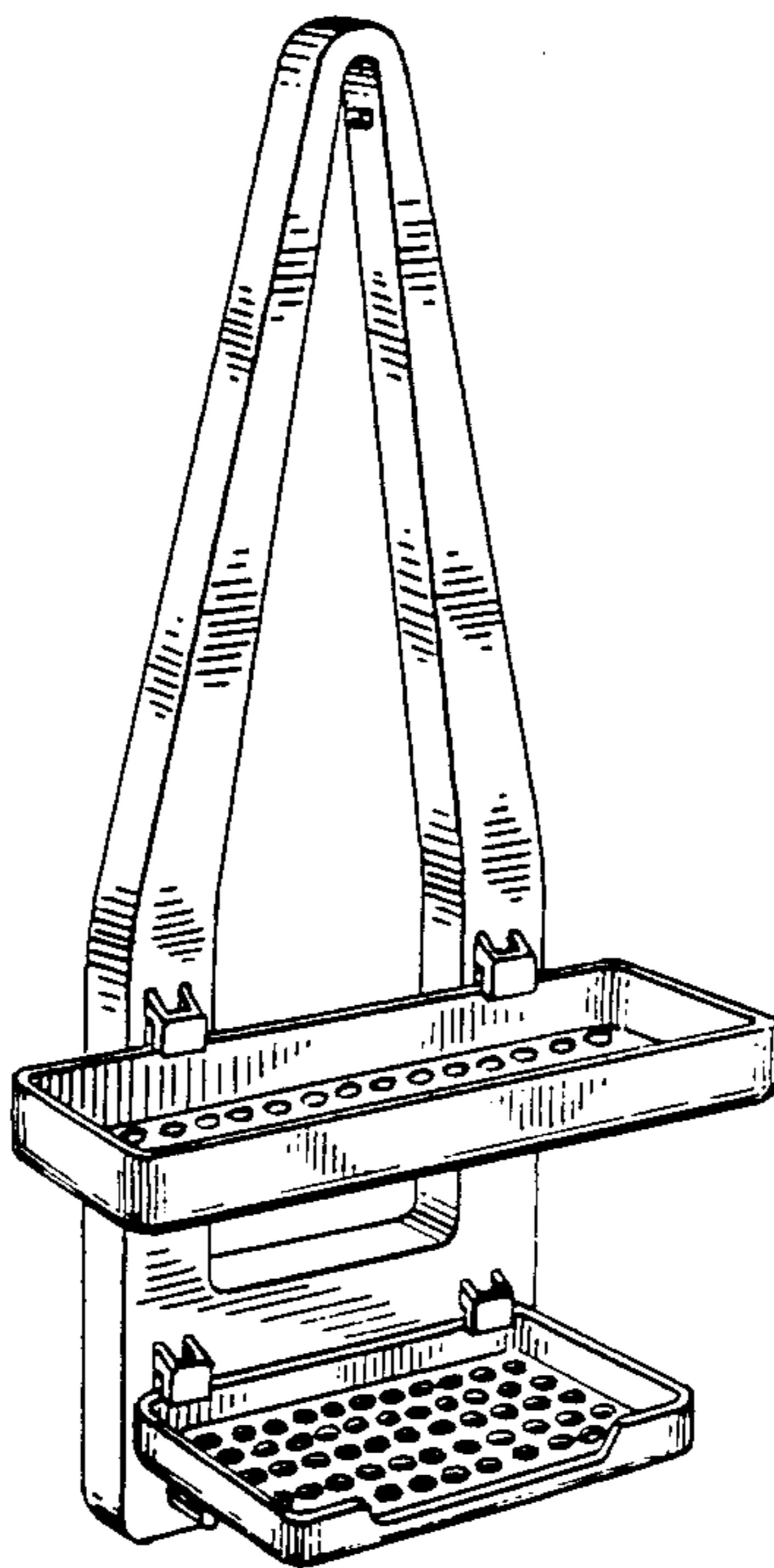
The ornamental design for a bath caddy, substantially as shown.

DESCRIPTION

FIG. 1 is a front perspective view of a bathroom caddy product embodying my new design;
FIG. 2 is an enlarged top plan view thereof;
FIG. 3 is an enlarged front elevational view thereof;
FIG. 4 is an enlarged right side elevational view thereof;
FIG. 5 is an enlarged rear elevational view thereof;
FIG. 6 is an enlarged bottom plan view thereof.

[56] References Cited U.S. PATENT DOCUMENTS

D. 251,522 4/1979 Chapman D6/525
D. 274,393 6/1984 Sinchok D6/525
D. 288,510 3/1987 Shames et al. D6/525



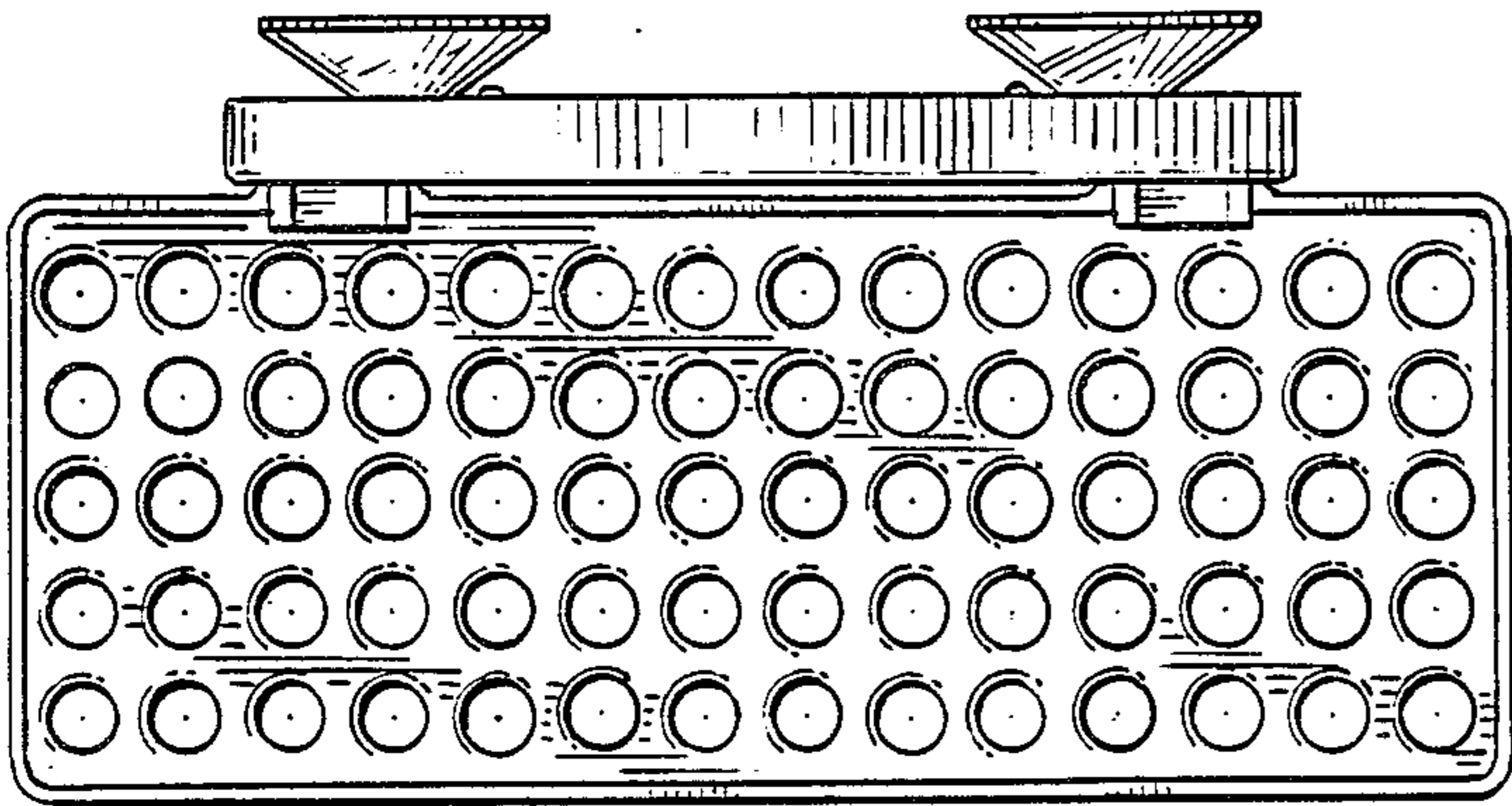


FIG. 2

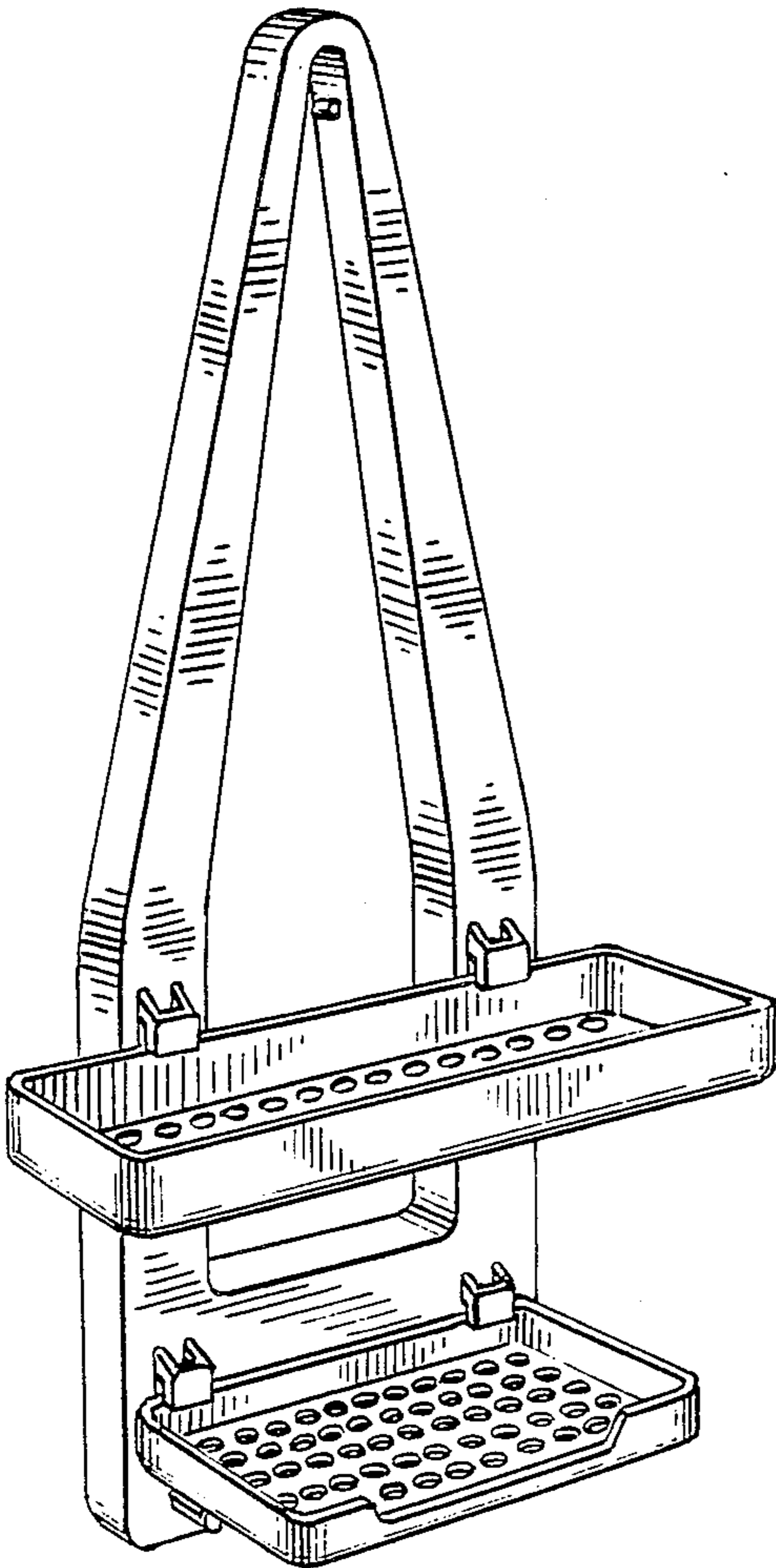


FIG. 1

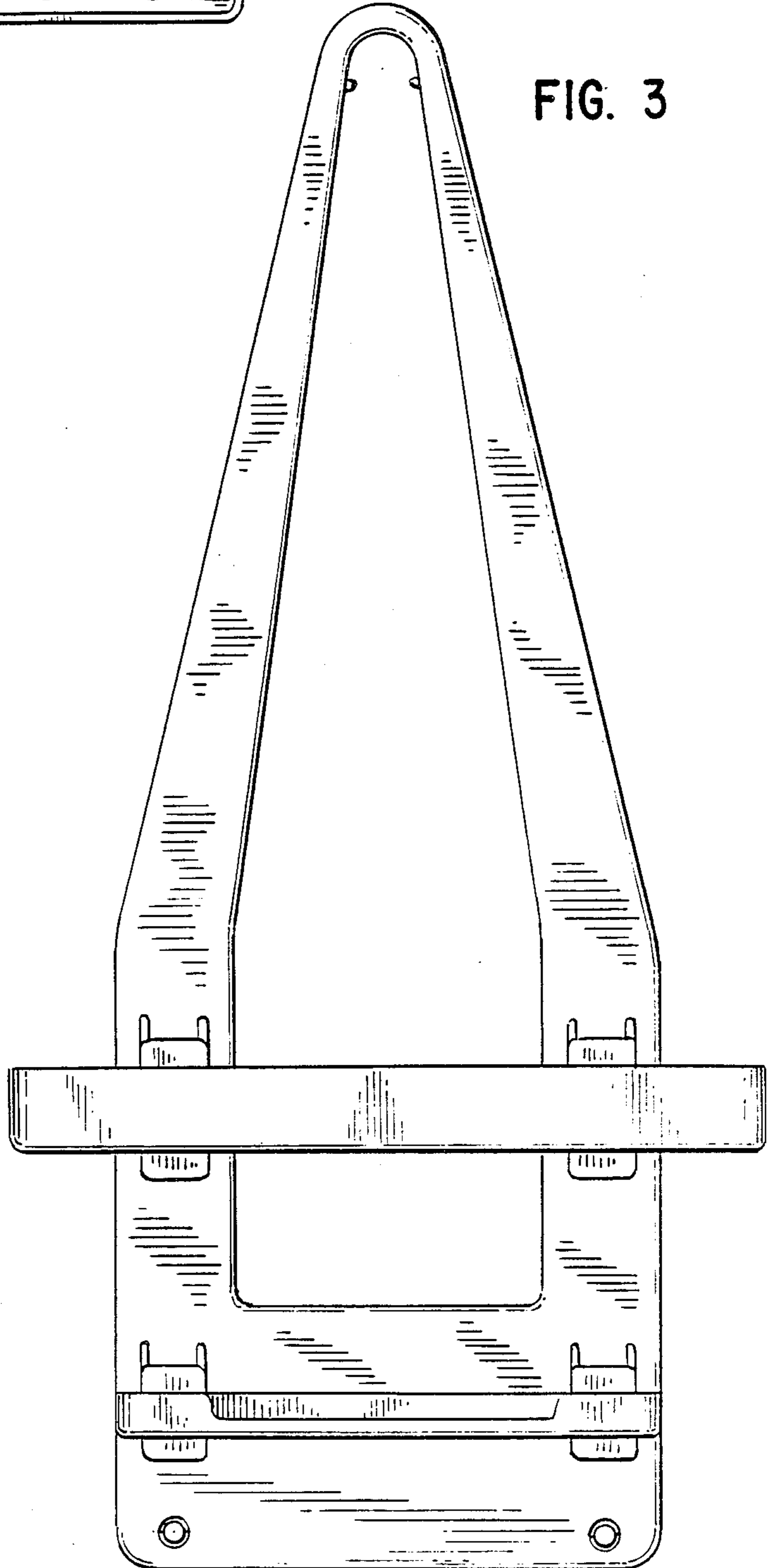


FIG. 3

FIG. 6

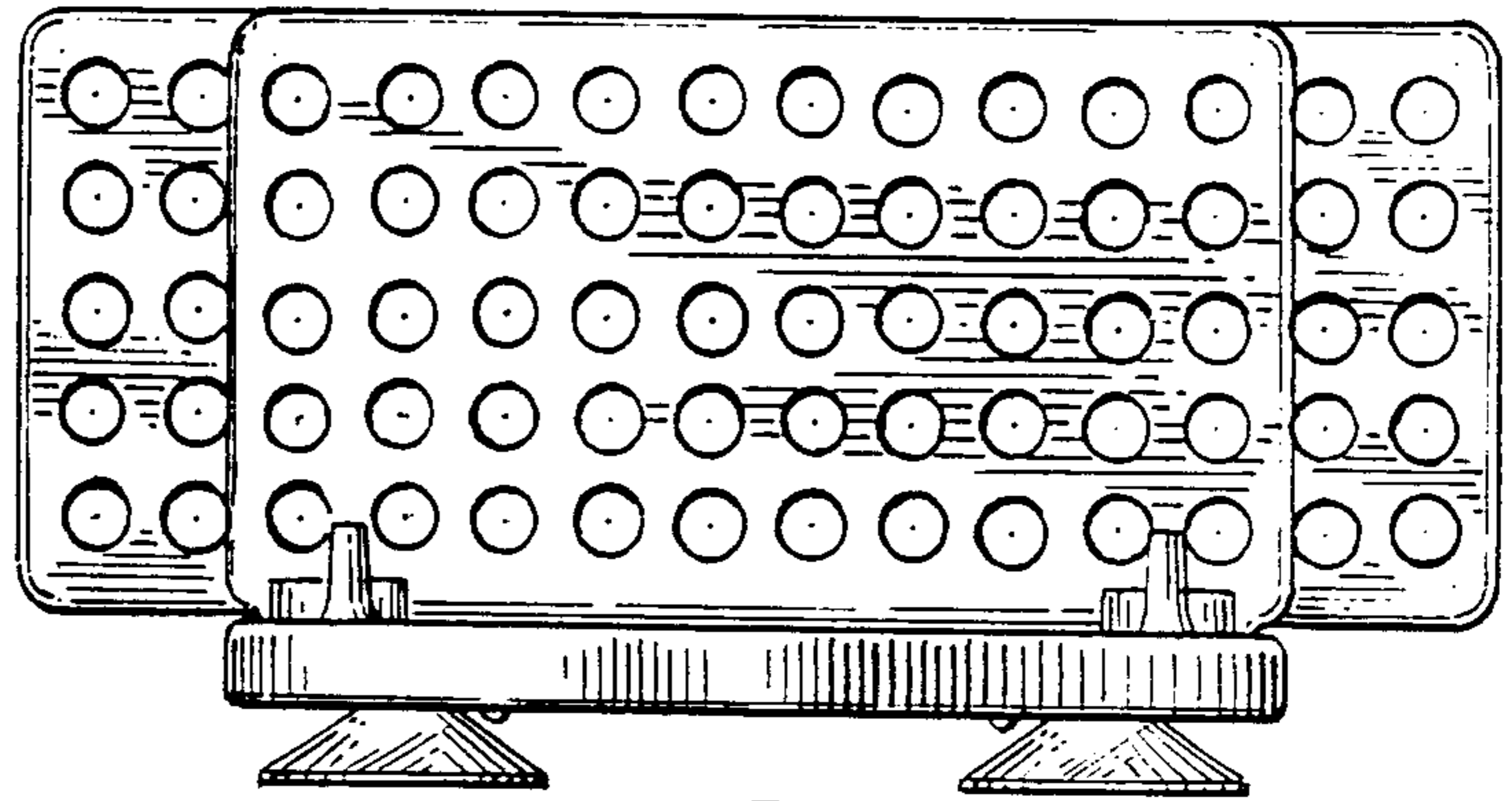


FIG. 4

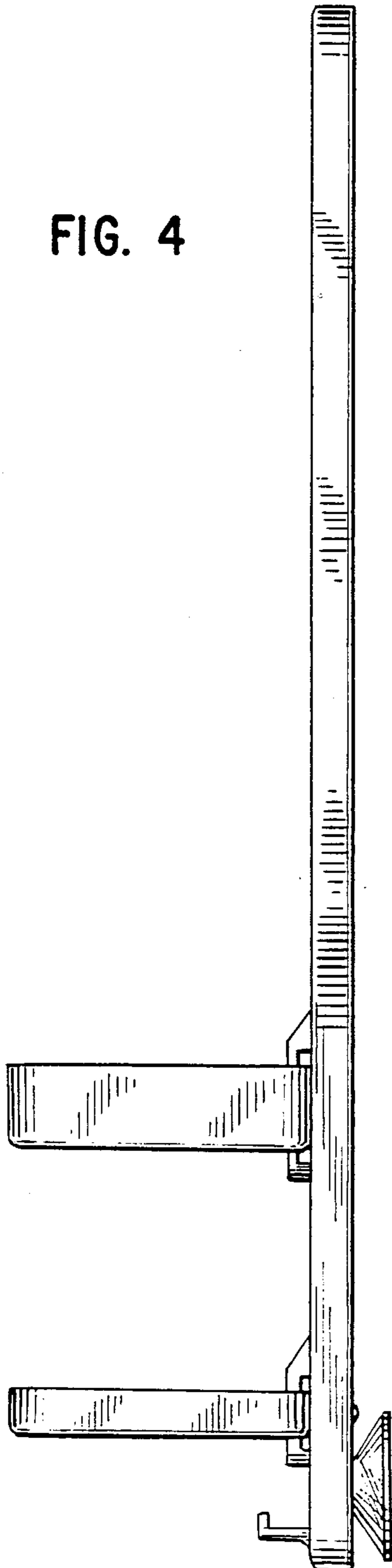


FIG. 5

