

United States Patent [19]
Carter

[11] **Patent Number: Des. 293,182**
[45] **Date of Patent: ** Dec. 15, 1987**

[54] **TISSUE BOX HOLDER**
[76] **Inventor: Clyde L. Carter, 1021 - 7th St. West, Birmingham, Ala. 35204**
[**] **Term: 14 Years**
[21] **Appl. No.: 717,003**
[22] **Filed: Mar. 28, 1985**
[52] **U.S. Cl. D6/518; D6/573**
[58] **Field of Search D6/518, 567, 573; D27/33; 211/72, 75, 87, 88; 312/37**

4,580,695 4/1986 Lum 312/37

Primary Examiner—B. J. Bullock
Attorney, Agent, or Firm—Jennings, Carter, Thompson & Veal

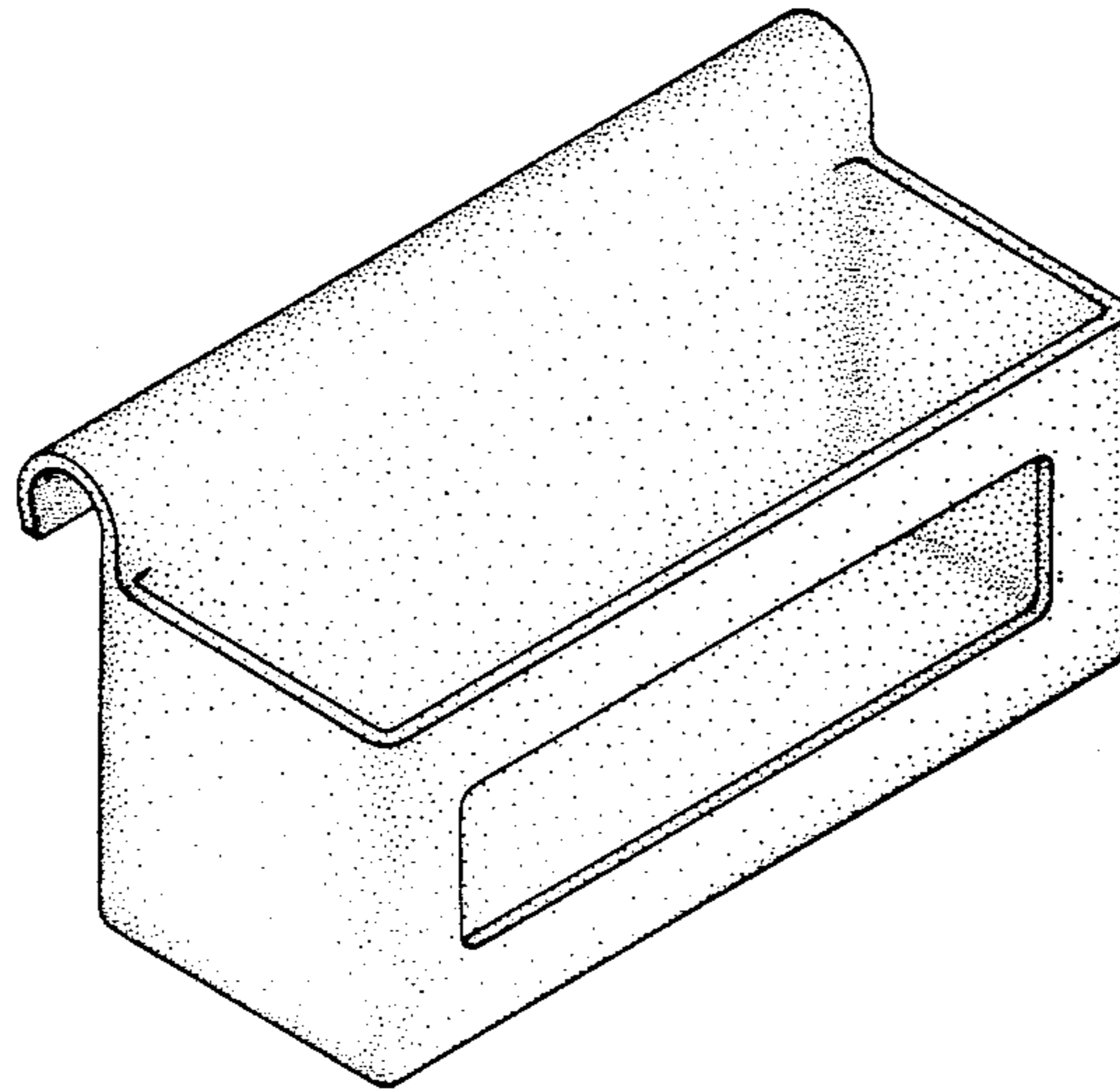
[57] **CLAIM**

The ornamental design for a tissue box holder, as shown and described.

DESCRIPTION

FIG. 1 is a perspective view of a tissue box holder showing my new design;
FIG. 2 is an end elevational view thereof, the end not shown being a mirror image of the end shown;
FIG. 3 is a front elevational view thereof;
FIG. 4 is a rear elevational view thereof;
FIG. 5 is a top plan view thereof; and,
FIG. 6 is a bottom plan view thereof.

[56] **References Cited**
U.S. PATENT DOCUMENTS
D. 187,388 3/1960 Lum D6/518
D. 278,295 4/1985 Thompson D6/518
D. 284,721 7/1986 Carter D6/567



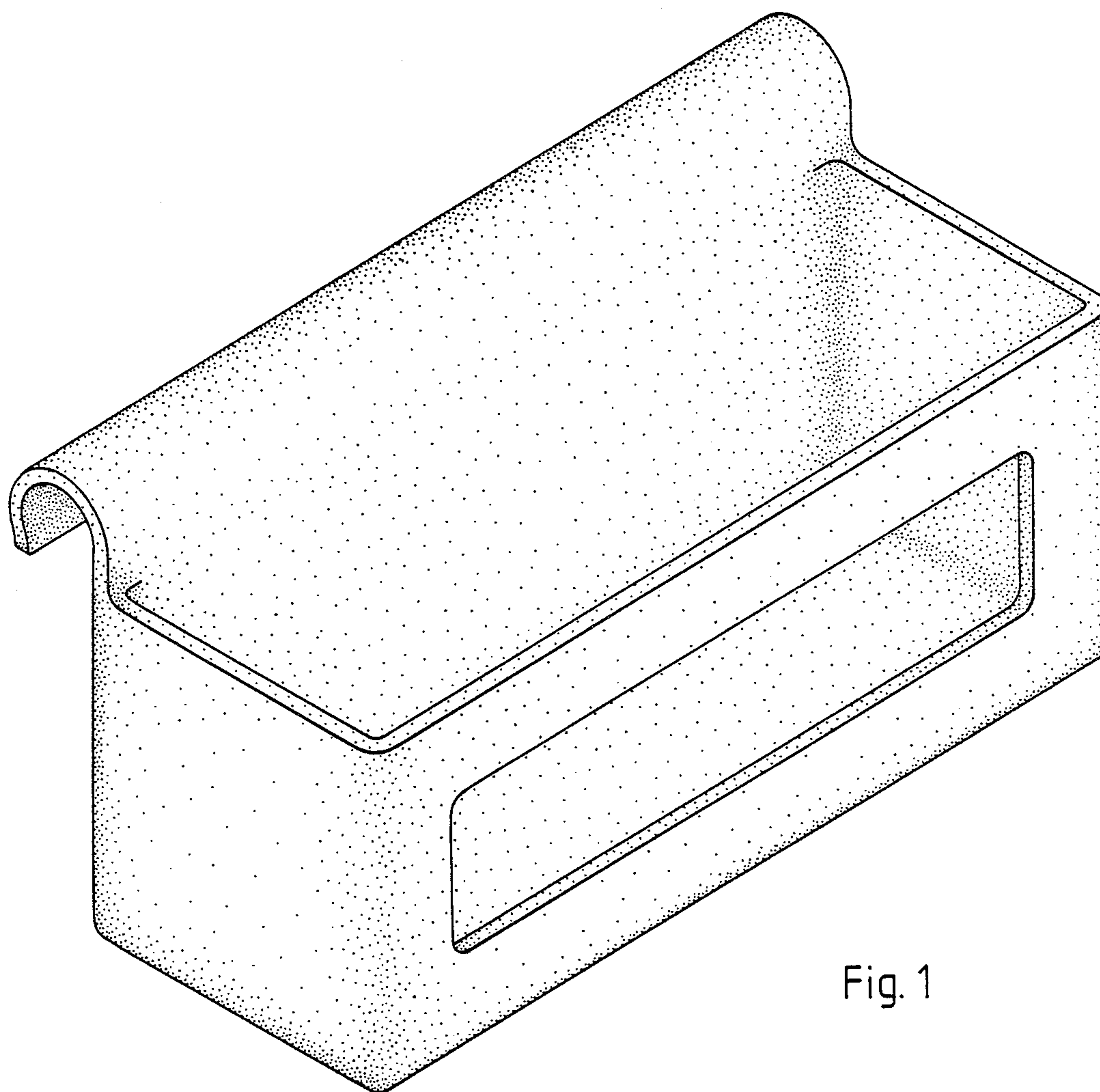


Fig. 1

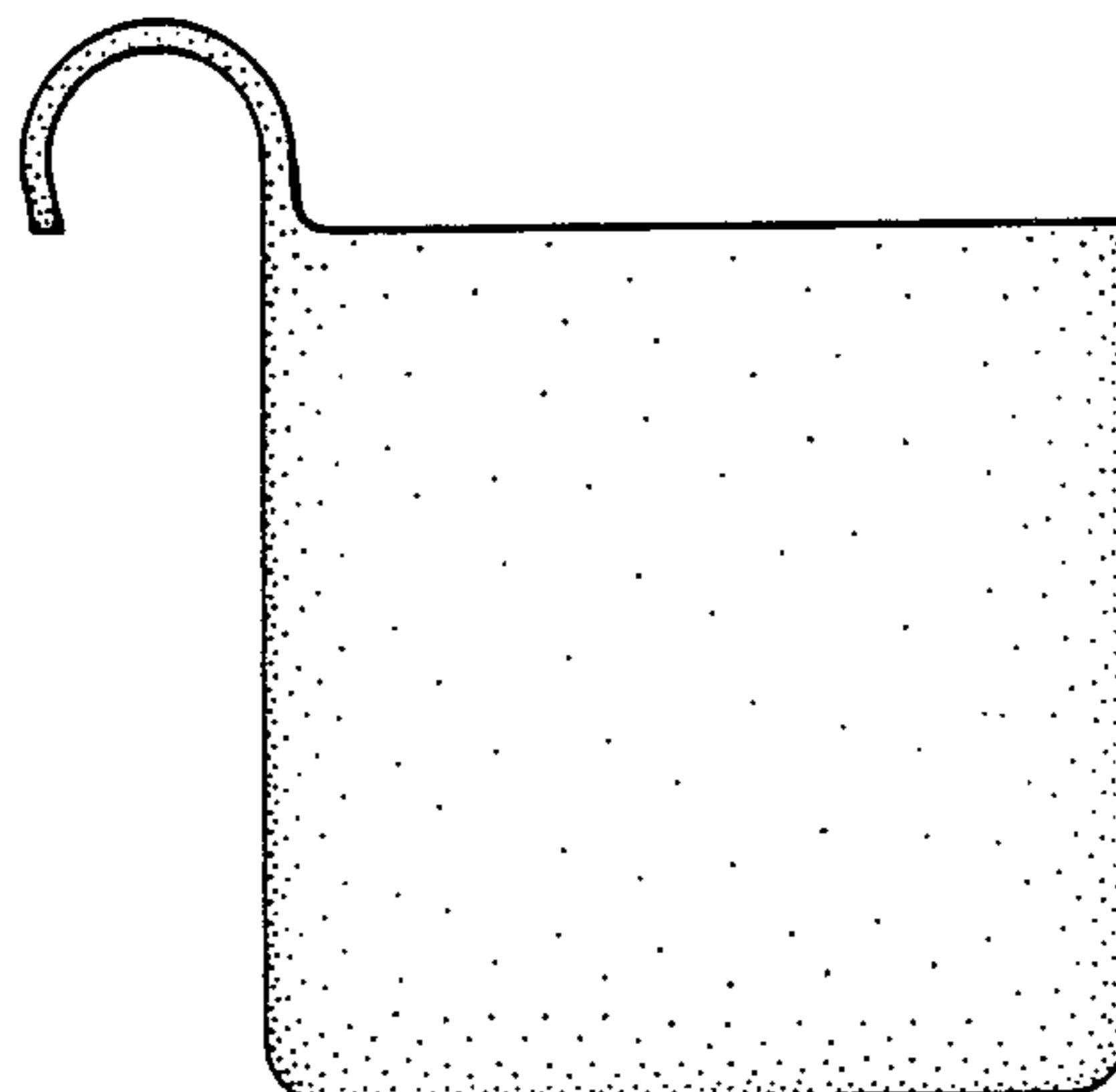


Fig. 2

Fig. 3

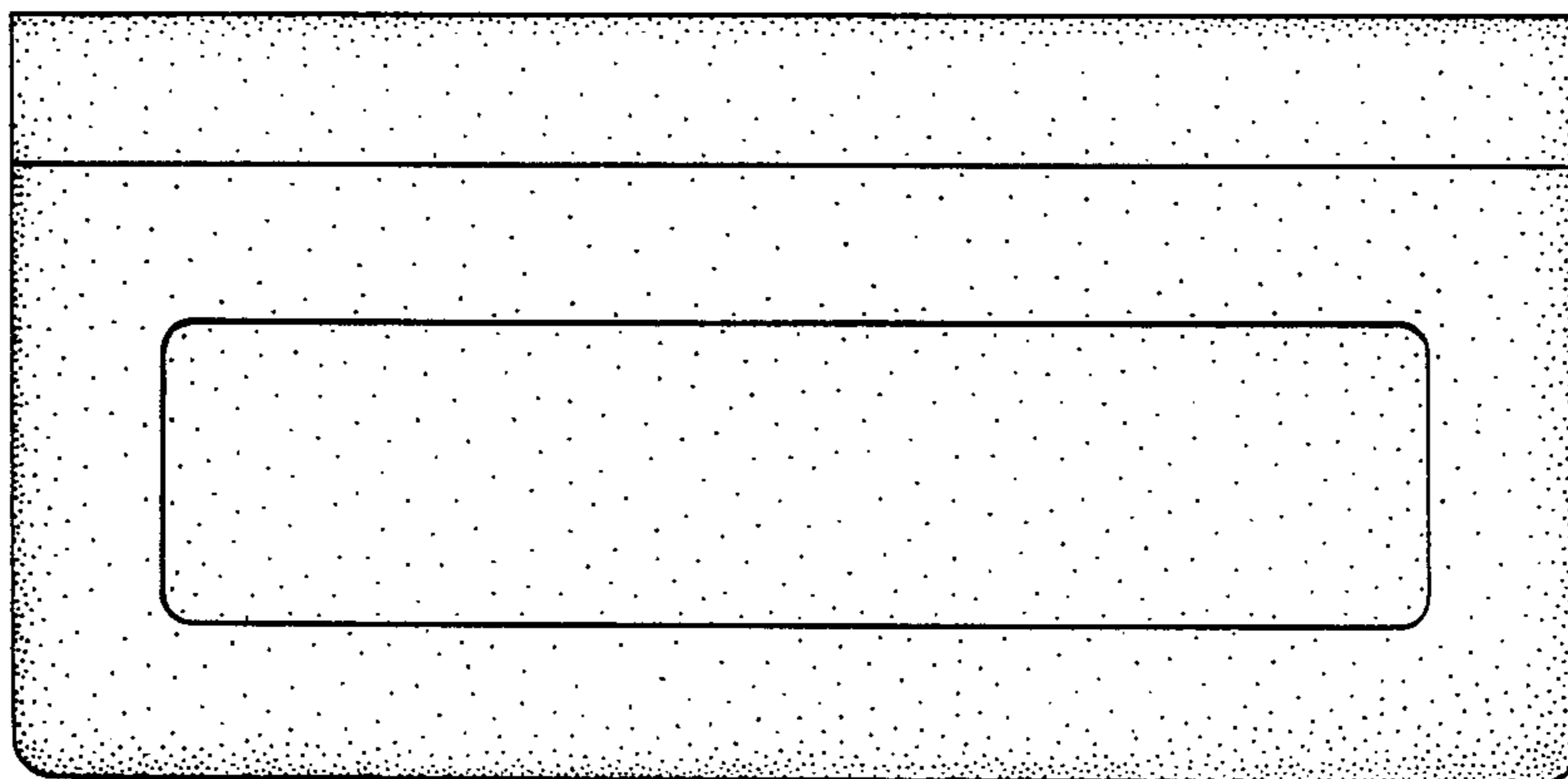


Fig. 4

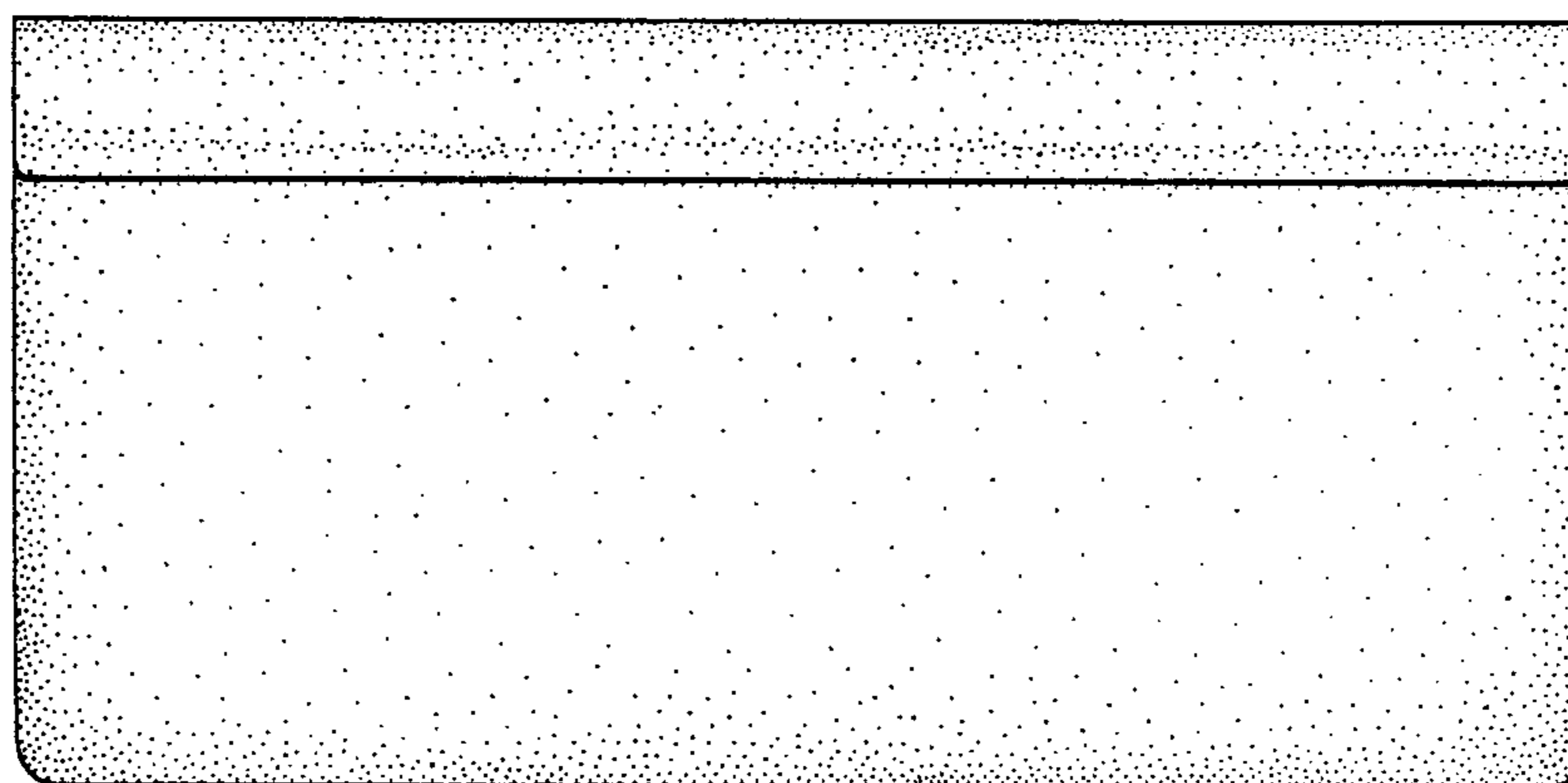


Fig. 5

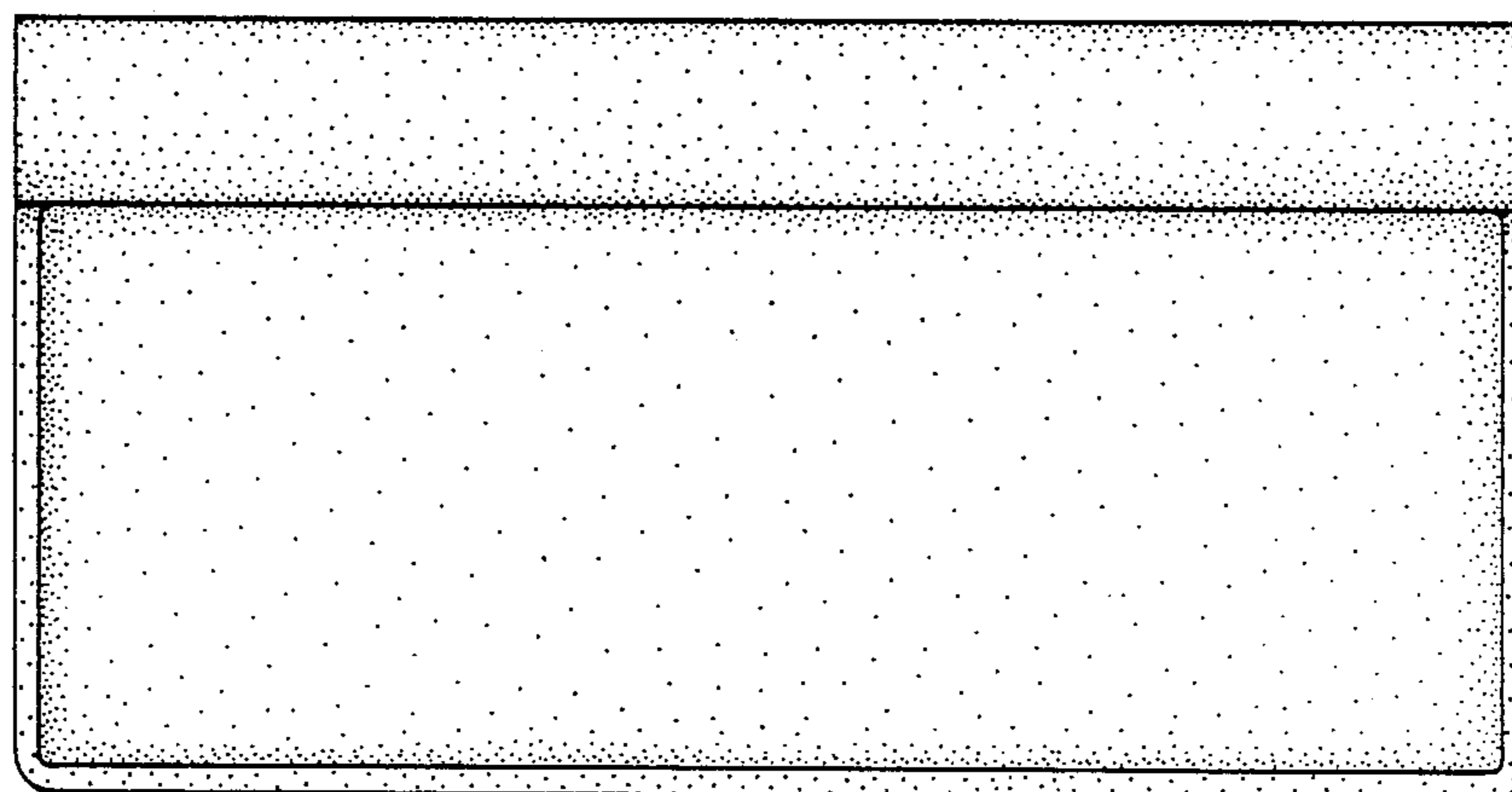


Fig. 6

