

**United States Patent** [19]  
**Solaro**

[11] **Patent Number: Des. 293,181**  
[45] **Date of Patent: \*\* Dec. 15, 1987**

[54] **TABLE**  
[76] **Inventor: Daniel S. Solaro, 10215 SE. 29th St., Bellevue, Wash. 98004**  
[\*\*] **Term: 14 Years**  
[21] **Appl. No.: 739,660**  
[22] **Filed: May 31, 1985**  
[52] **U.S. Cl. .... D6/484**  
[58] **Field of Search ..... D6/449, 477, 480, 484, D6/486, 487, 488**

D. 262,248 12/1981 Dowse ..... D6/480 X  
D. 268,800 5/1983 Long ..... D6/480

**OTHER PUBLICATIONS**

Monterey Bay Line catalog by Harris, p. 2, Table No. 766.

*Primary Examiner*—Bruce W. Dunkins  
*Attorney, Agent, or Firm*—Richard C. Litman

[57] **CLAIM**

The ornamental design for a table, as shown and described.

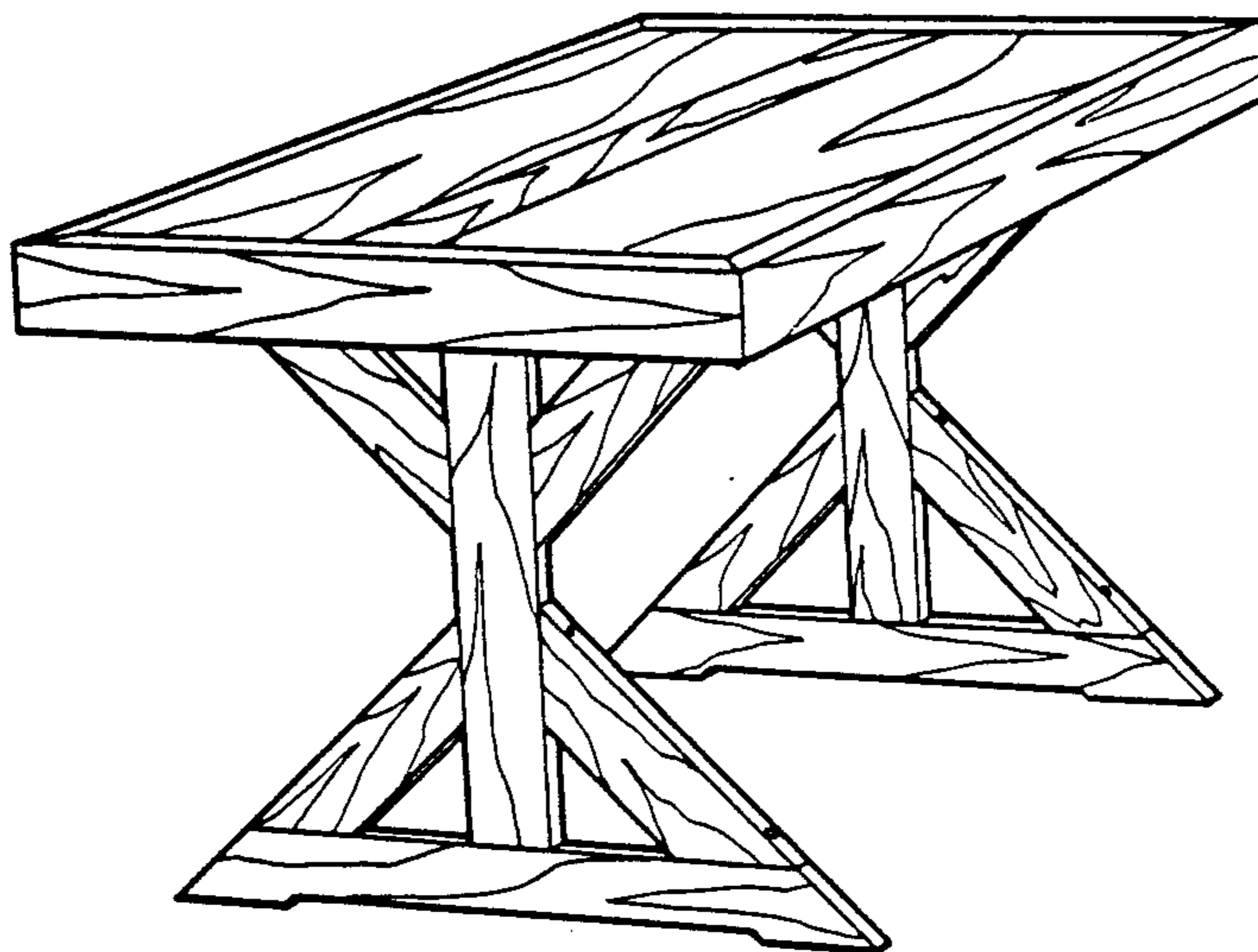
[56] **References Cited**

**U.S. PATENT DOCUMENTS**

D. 209,522 12/1967 Hart ..... D6/495 X  
D. 228,857 10/1973 Allsop ..... D6/480  
D. 234,735 4/1975 Podell ..... D6/480  
D. 252,432 7/1979 Brelsford ..... D6/480  
D. 257,653 12/1980 Berlic ..... D6/480

**DESCRIPTION**

FIG. 1 is a perspective view of a table showing my design;  
FIG. 2 is a top plan view; and  
FIG. 3 is an elevational view showing one of the two identical ends.



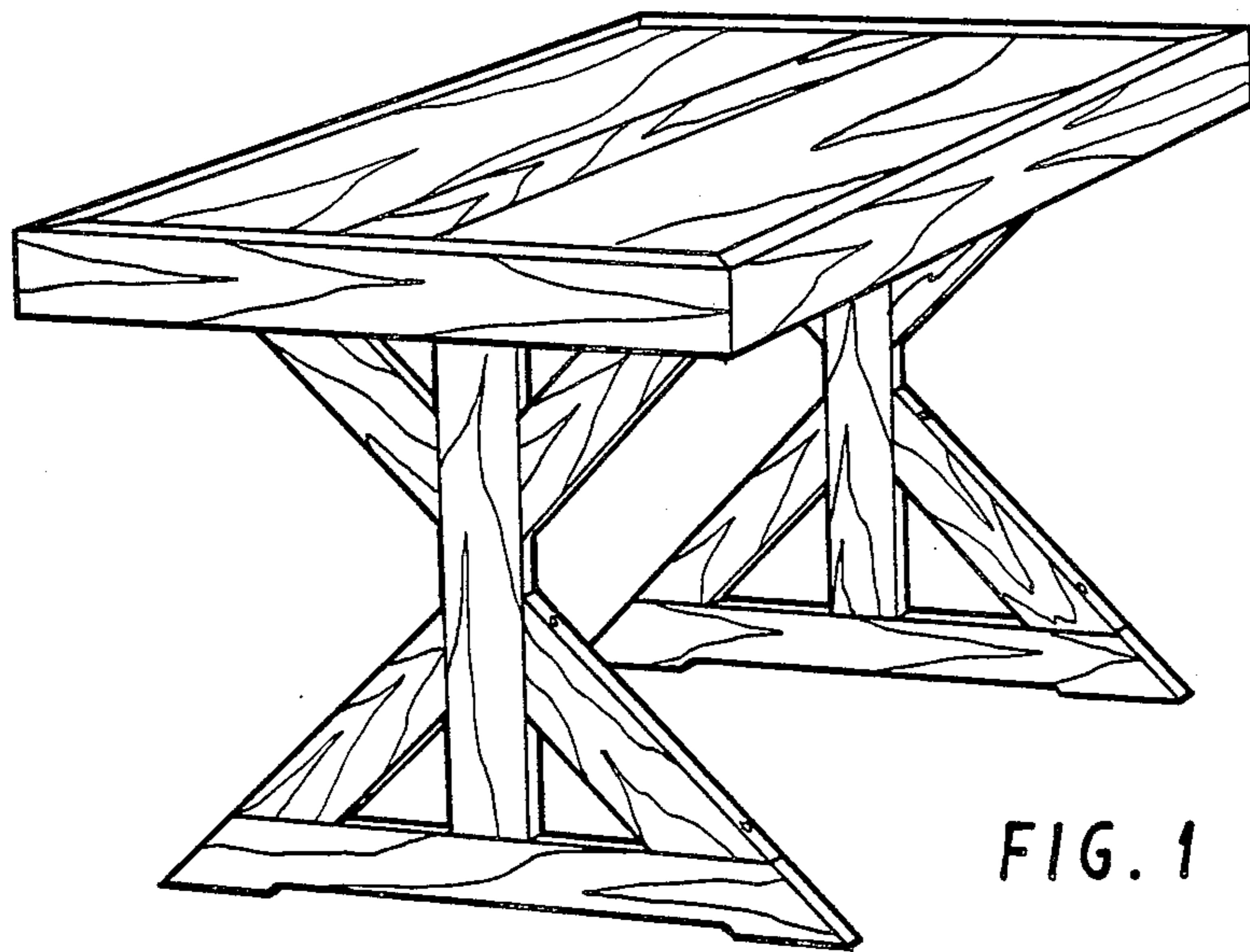


FIG. 1



FIG. 2

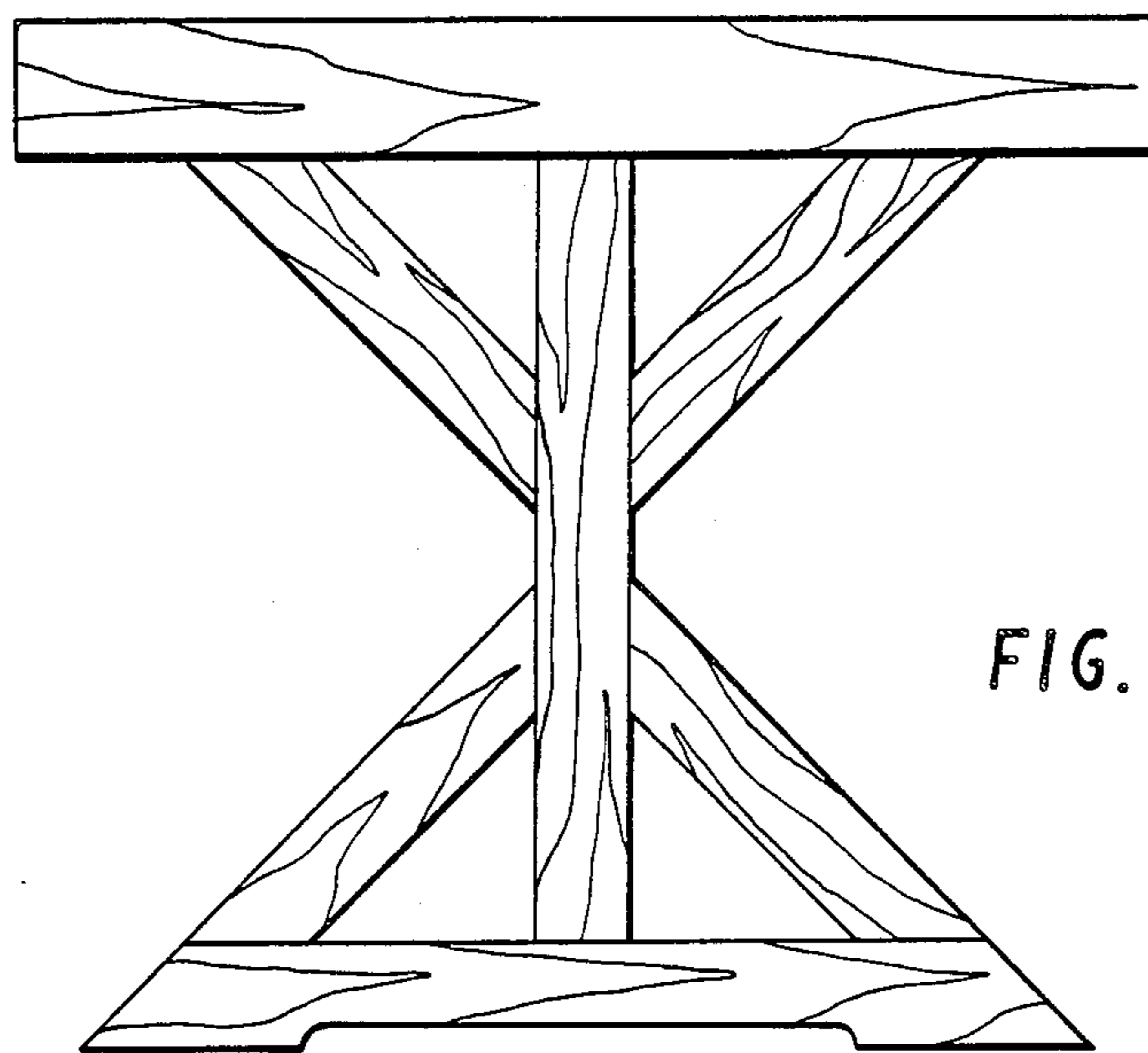


FIG. 3