

[54] **DISPLAY STAND**

[76] **Inventor:** Melvin M. Miller, 3617 Essex Ct.,  
Bloomington, Ind. 47401

[\*] **Notice:** The portion of the term of this patent  
subsequent to Feb. 12, 1999 has been  
disclaimed.

[\*\*] **Term:** 14 Years

[21] **Appl. No.:** 723,931

[22] **Filed:** Apr. 16, 1985

[52] **U.S. Cl.** ..... D6/436

[58] **Field of Search** ..... D6/471, 480, 449, 432,  
D6/436; 40/1, 124, 124.1; D20/10, 19;  
211/181; D25/16

[56] **References Cited**

**U.S. PATENT DOCUMENTS**

D. 277,533 2/1985 Miller ..... D6/470

**OTHER PUBLICATIONS**

*Innovation '75*, p. 11; Wall Bookstack Item #2077, left  
Bookstack on page.

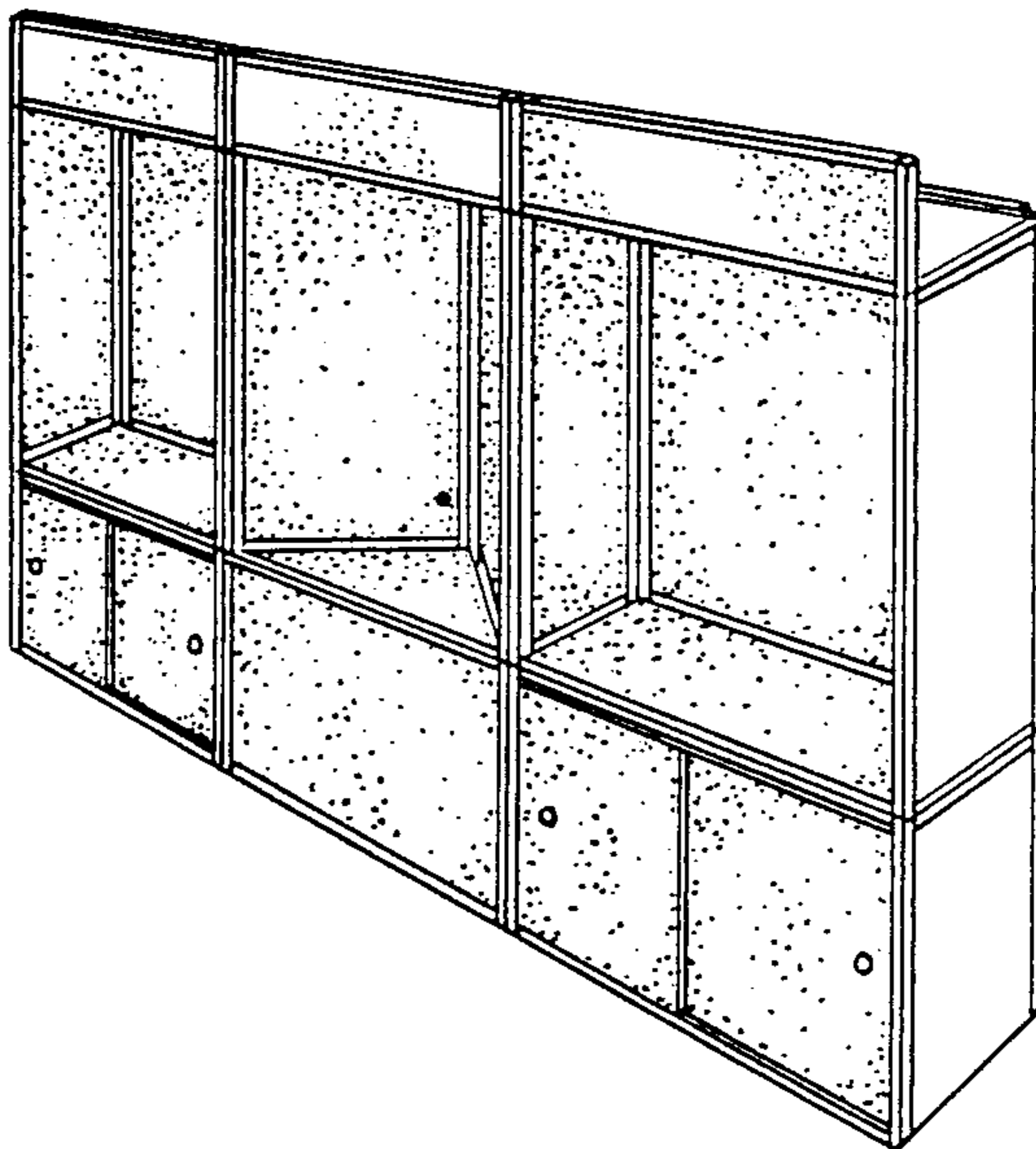
*Primary Examiner*—Carmen H. Vales  
*Attorney, Agent, or Firm*—Donald R. Bahr

[57] **CLAIM**

The ornamental design for a display stand, as shown  
and described.

**DESCRIPTION**

FIG. 1 is a right side perspective view of a display stand  
showing my new design;  
FIG. 2 is a top plan view thereof;  
FIG. 3 is a front elevational view thereof;  
FIG. 4 is a right side elevational view thereof; and  
FIG. 5 is a rear elevational view thereof.



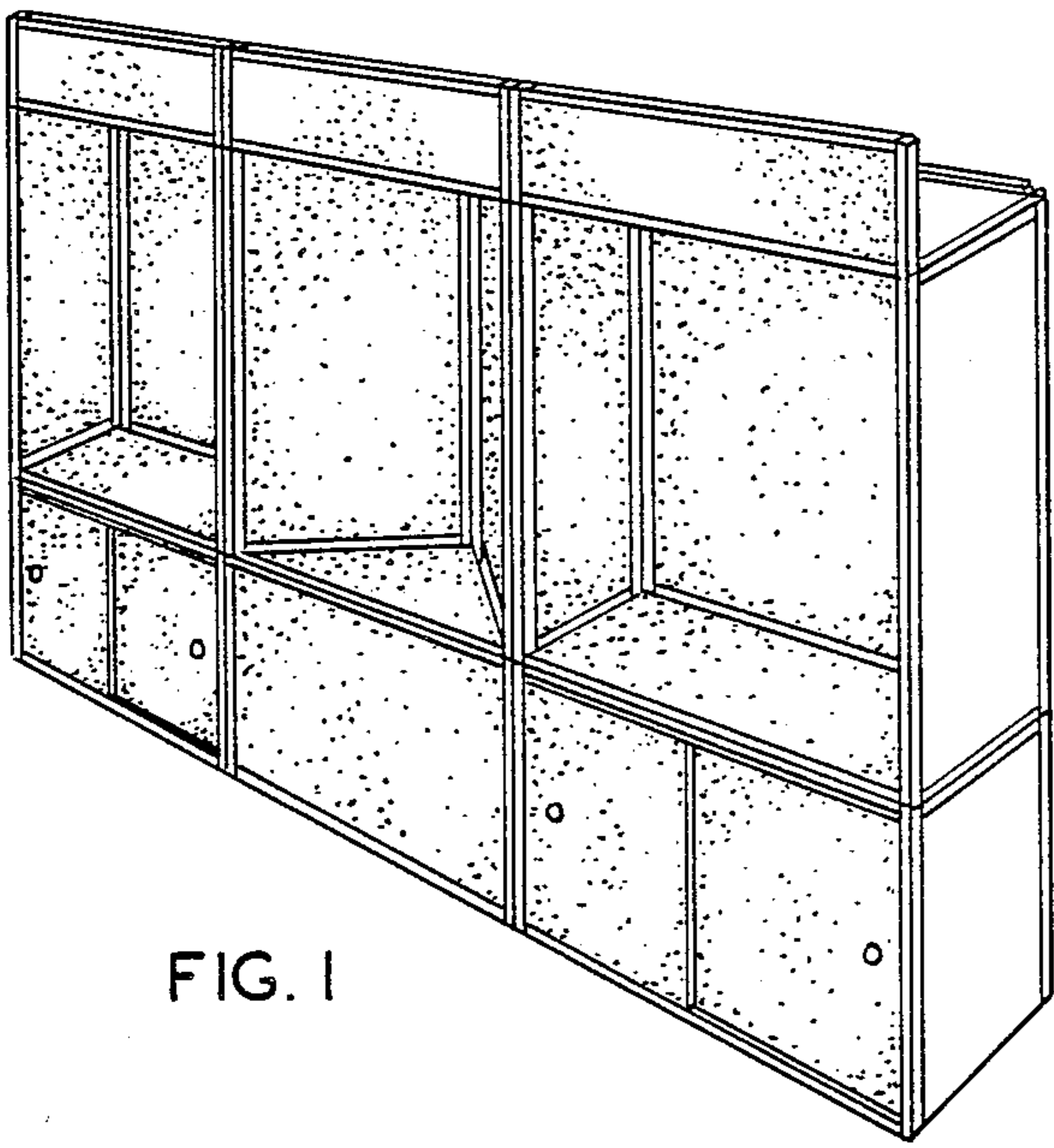


FIG. 1

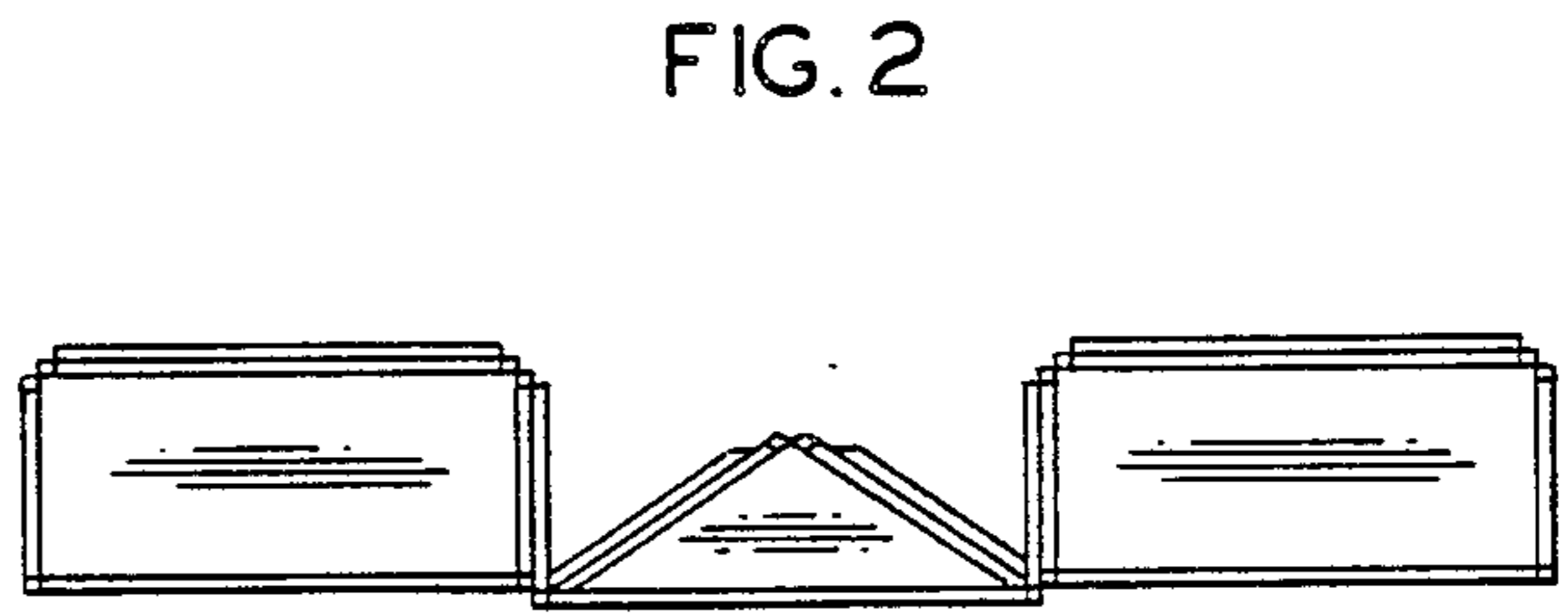


FIG. 2

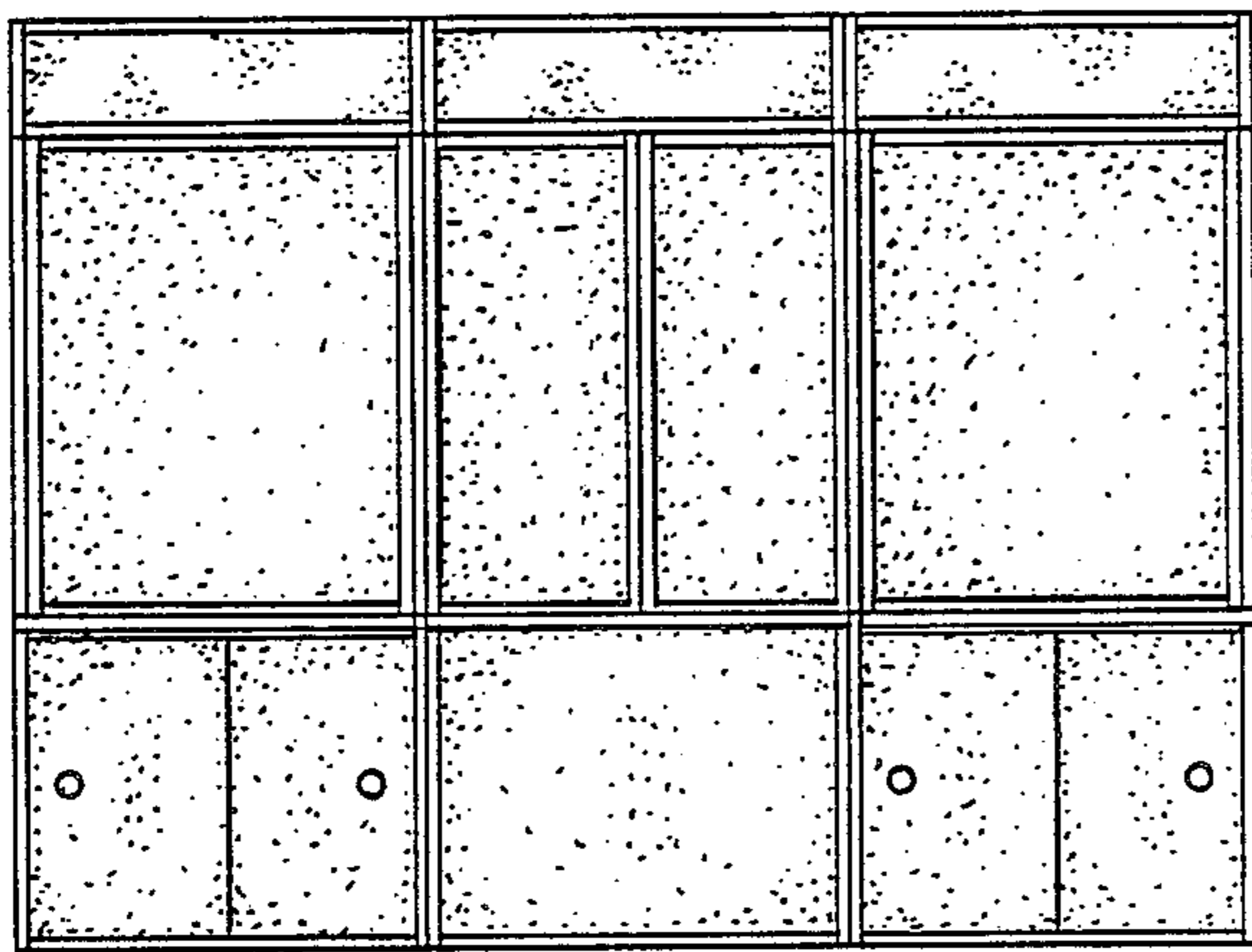


FIG. 3

FIG. 4

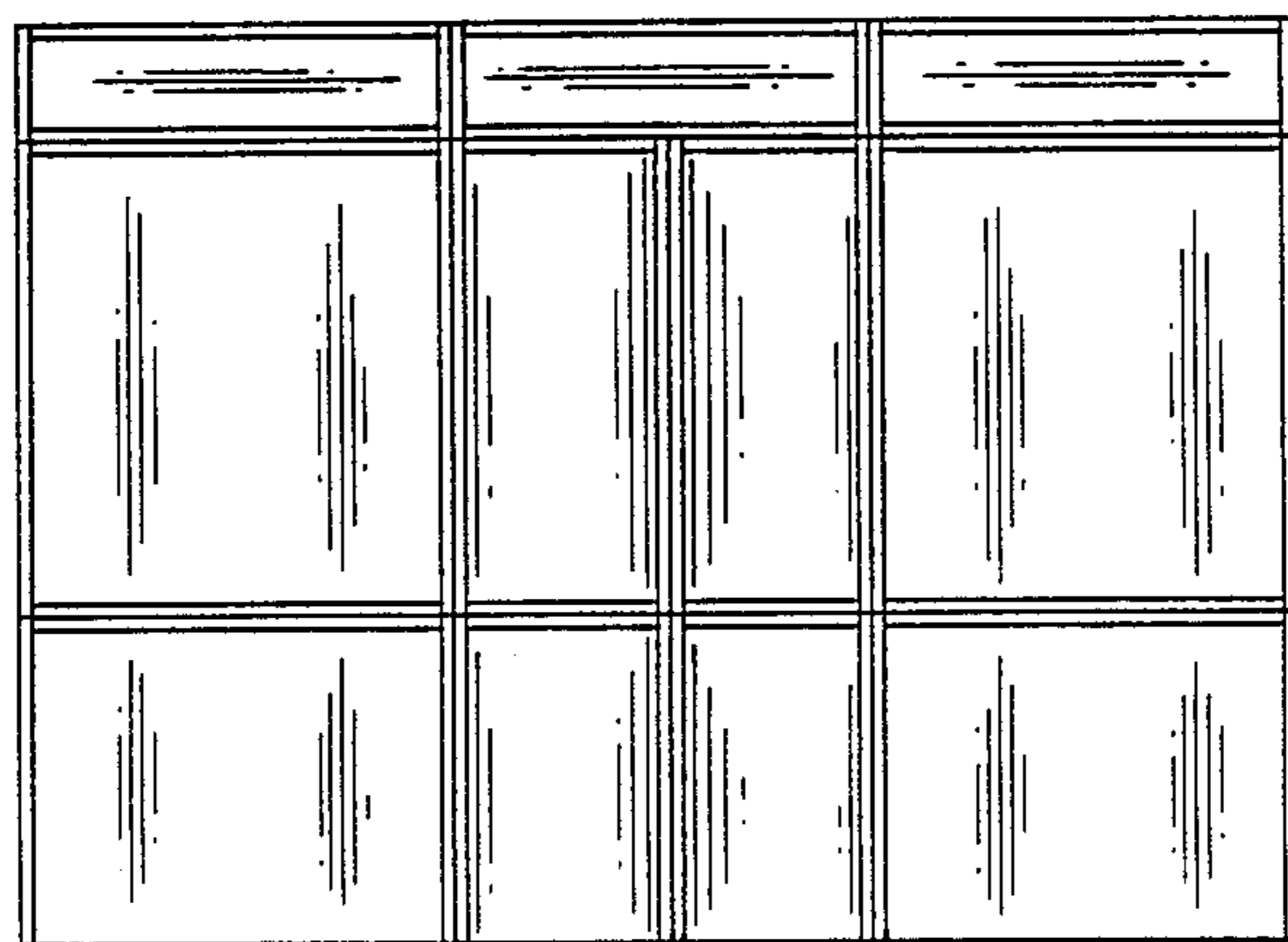
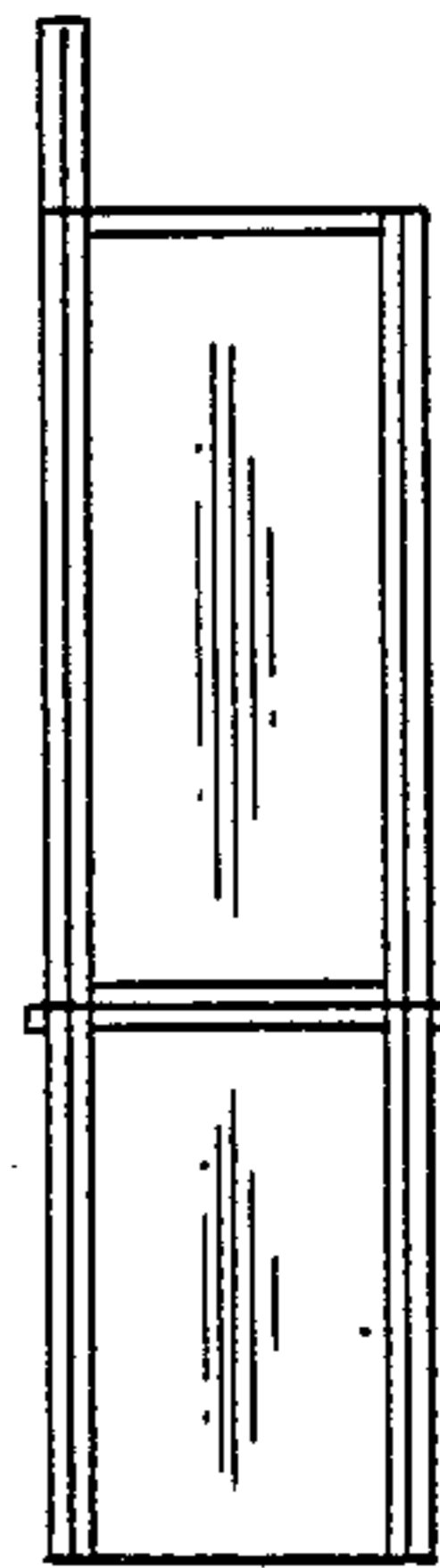


FIG. 5