

**United States Patent** [19]  
**Miller**

[11] **Patent Number: Des. 293,174**  
[45] **Date of Patent: \*\* Dec. 15, 1987**

[54] **DISPLAY STAND**

[76] **Inventor: Melvin M. Miller, 3617 Essex Ct.,  
Bloomington, Ind. 47401**

[\*] **Notice: The portion of the term of this patent  
subsequent to Feb. 12, 1999 has been  
disclaimed.**

[\*\*] **Term: 14 Years**

[21] **Appl. No.: 714,636**

[22] **Filed: Mar. 21, 1985**

[52] **U.S. Cl. .... D6/436**

[58] **Field of Search ..... D6/470, 471, 449, 450,  
D6/462, 436, 332; 211/181; D20/10; D25/16;  
40/1, 124, 124.1**

[56] **References Cited**

**U.S. PATENT DOCUMENTS**

D. 240,688 7/1976 Zagaroli ..... D6/436  
D. 277,533 2/1985 Miller ..... D6/470

*Primary Examiner—Carmen H. Vales  
Attorney, Agent, or Firm—Donald R. Bahr*

[57] **CLAIM**

The ornamental design for a display stand, as shown  
and described.

**DESCRIPTION**

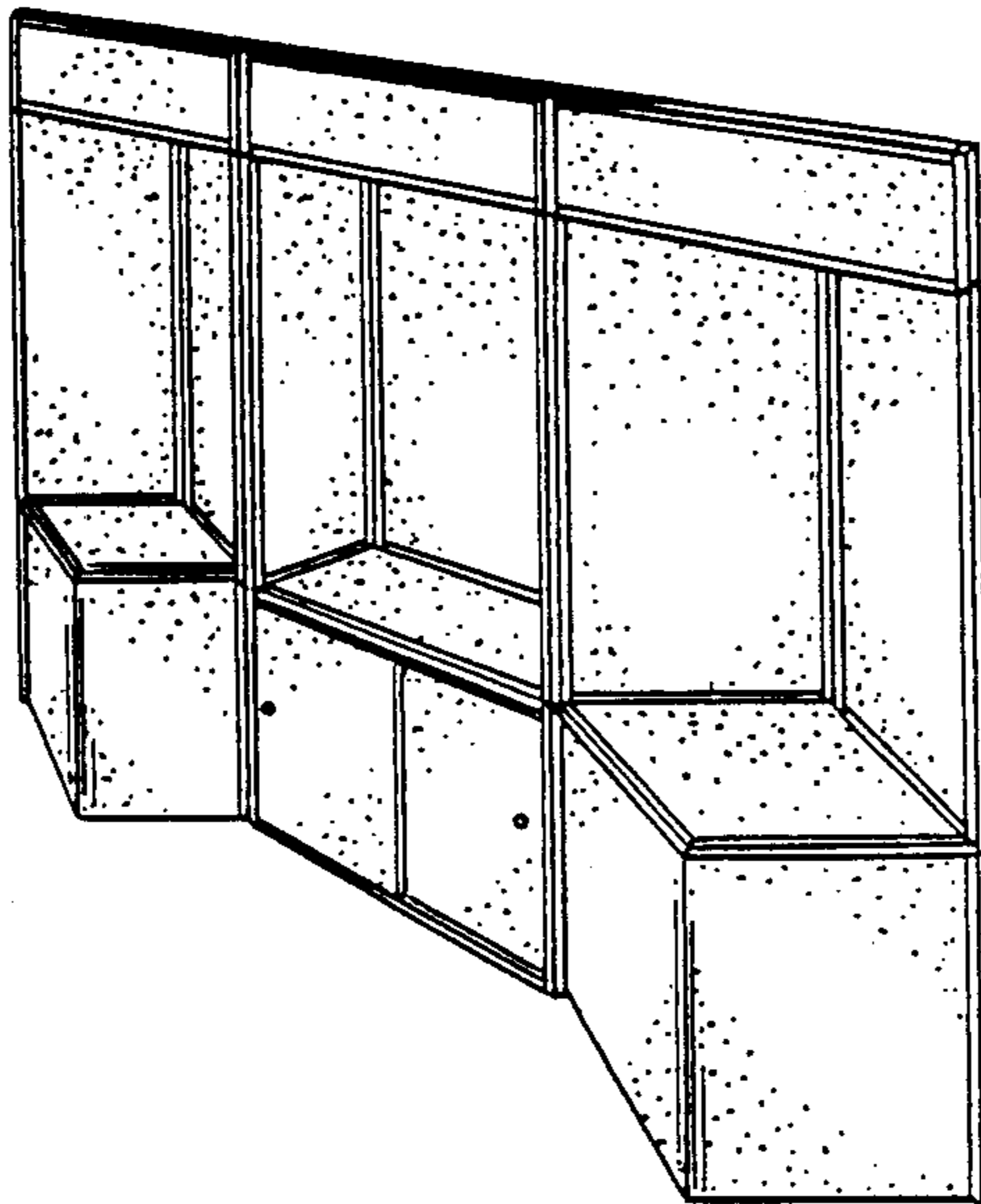
FIG. 1 is a right side perspective view of a display stand  
showing my new design;

FIG. 2 is a top plan view thereof;

FIG. 3 is a front elevational view thereof;

FIG. 4 is a right side elevational view thereof; and

FIG. 5 is a rear elevational view thereof.



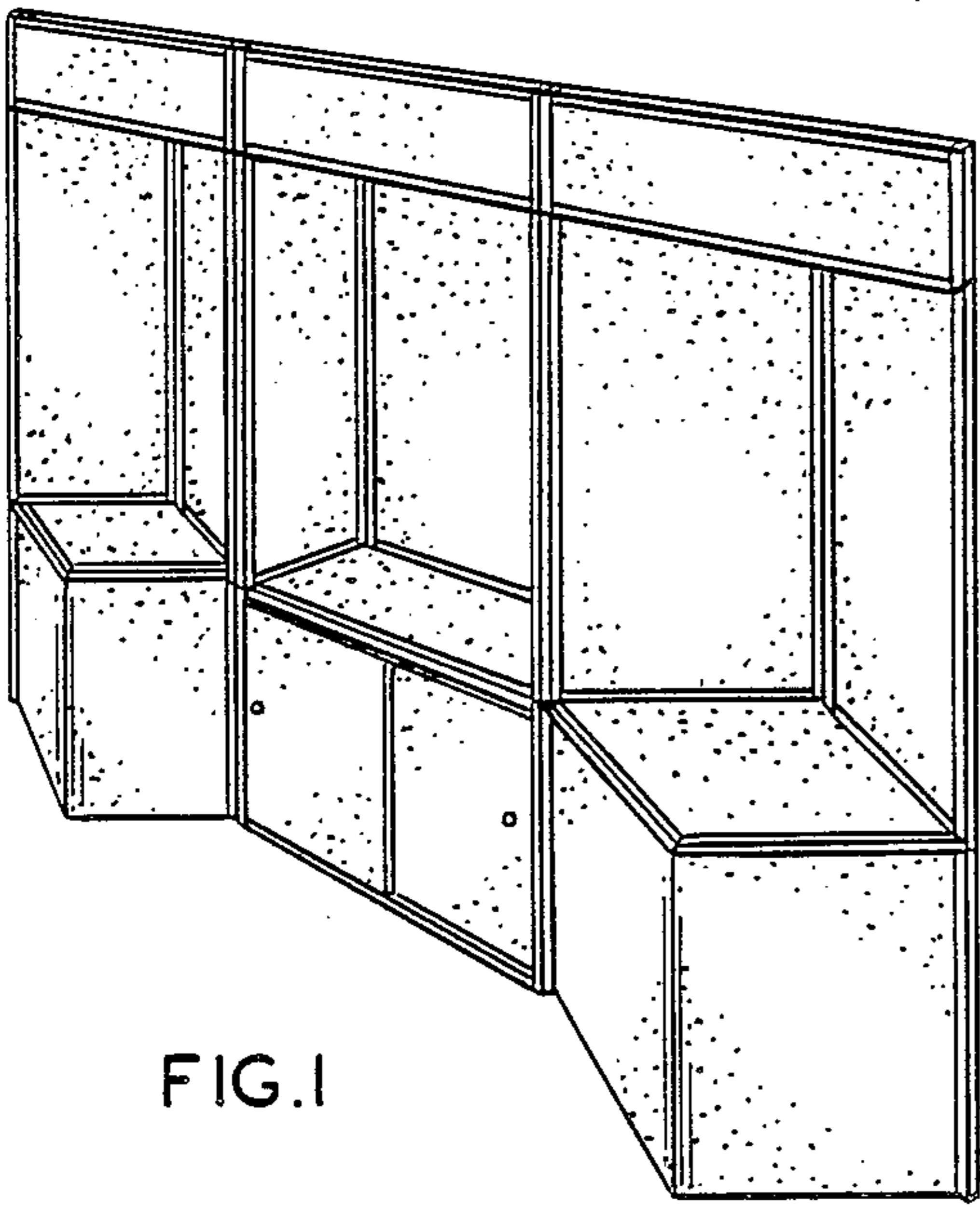


FIG. 1

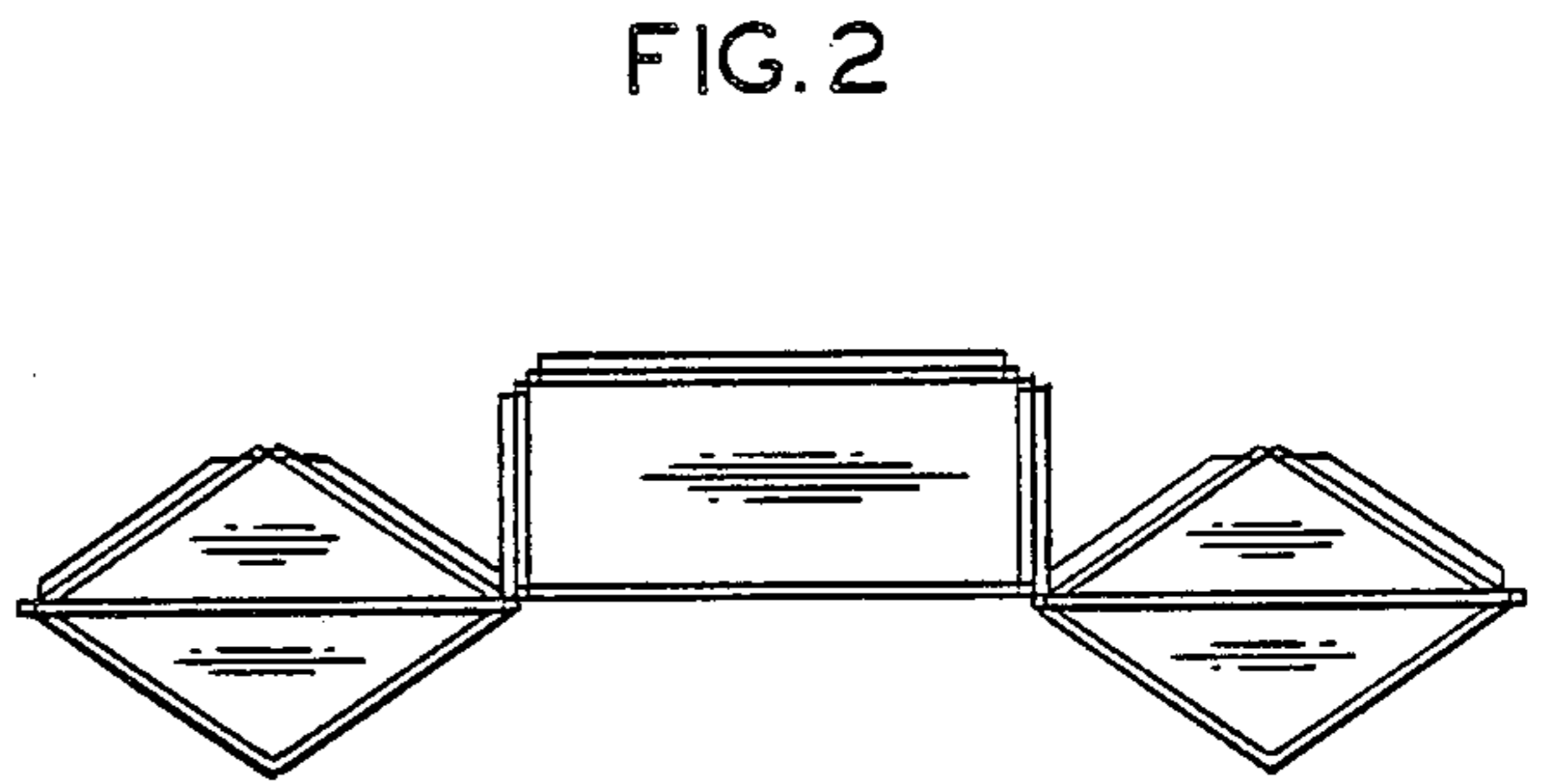


FIG. 2

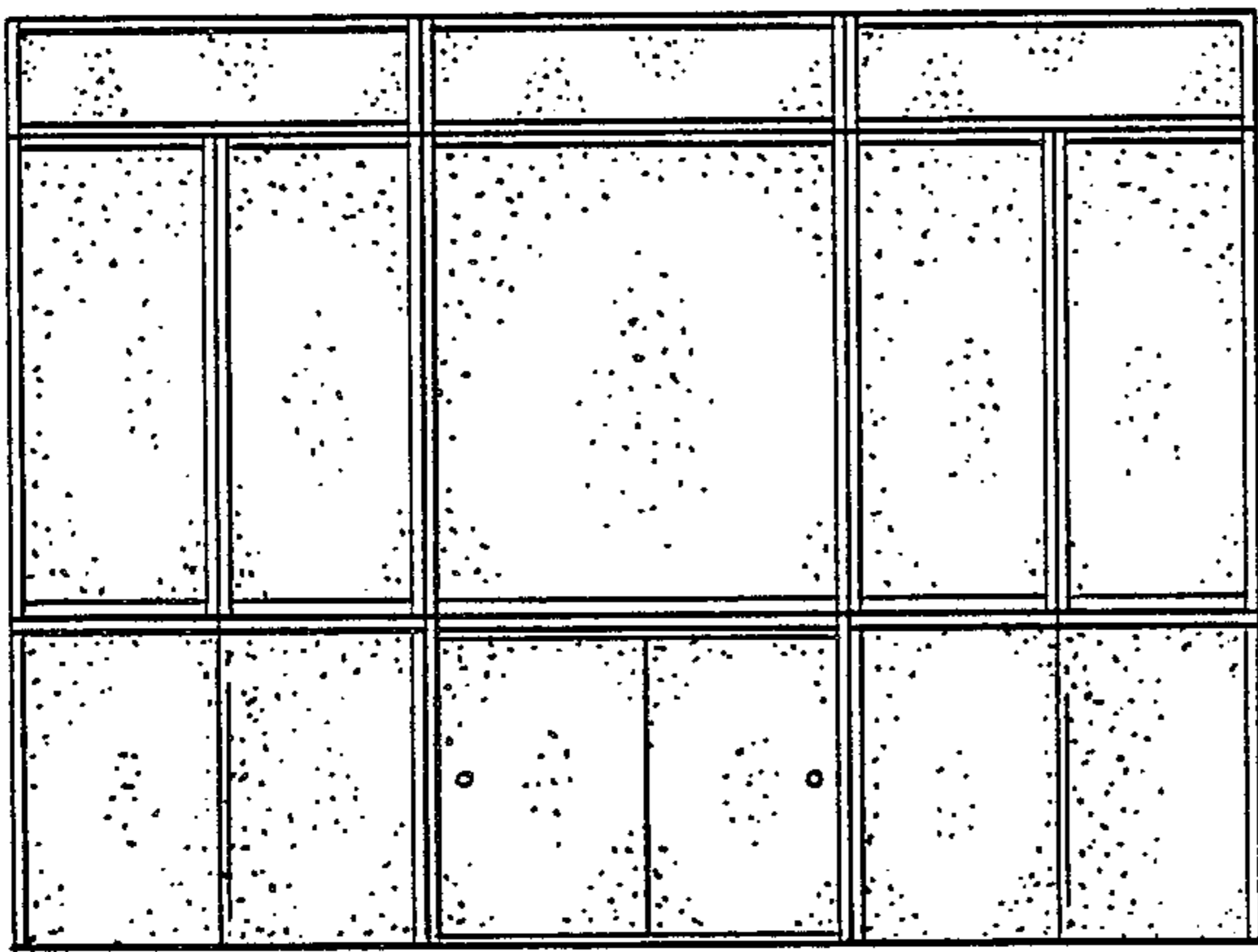


FIG. 3

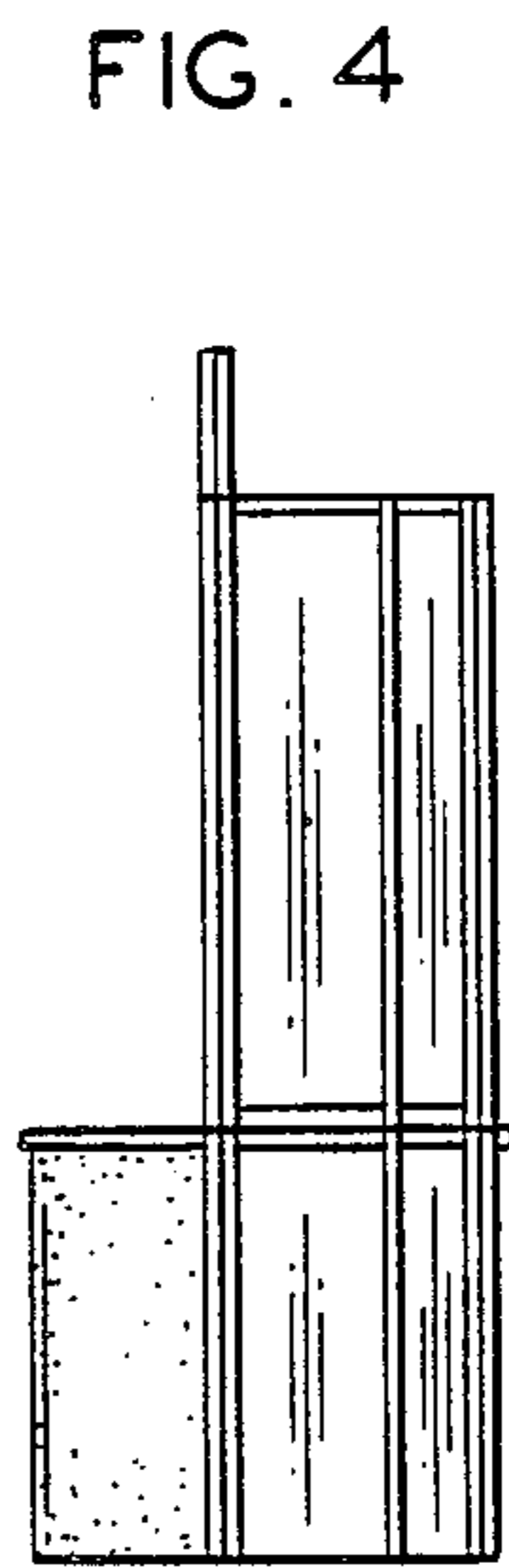


FIG. 4

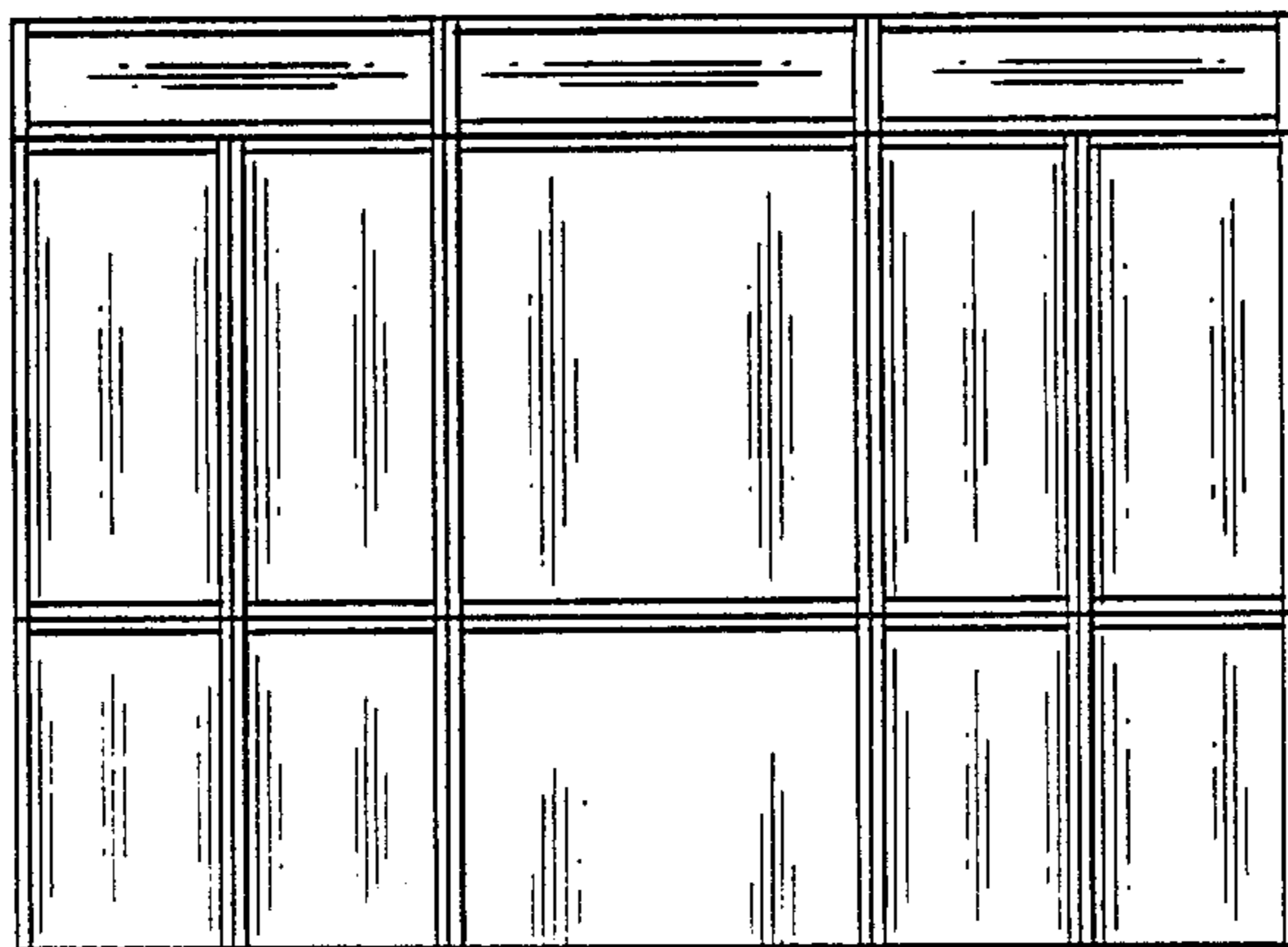


FIG. 5