

United States Patent [19]
Riehm

[11] **Patent Number: Des. 293,167**
[45] **Date of Patent: ** Dec. 15, 1987**

[54] **INFANT SEAT**
[75] **Inventor: Merry S. Riehm, E. Aurora, N.Y.**
[73] **Assignee: The Quaker Oats Company, Chicago, Ill.**
[**] **Term: 14 Years**
[21] **Appl. No.: 762,128**
[22] **Filed: Aug. 2, 1985**
[52] **U.S. Cl. D6/333; D6/348**
[58] **Field of Search D6/333, 344, 347, 348; 297/250, 253, 257, 273, 279, 327**

D. 253,204 10/1979 Rymes D6/333
D. 254,699 4/1980 Nakao et al. D6/333 X
D. 289,465 4/1987 Wise D6/333
4,231,612 11/1980 Meeker 297/250

Primary Examiner—Bruce W. Dunkins
Attorney, Agent, or Firm—Cumpston & Shaw

[57] **CLAIM**

The ornamental design for a infant seat, substantially as shown and described.

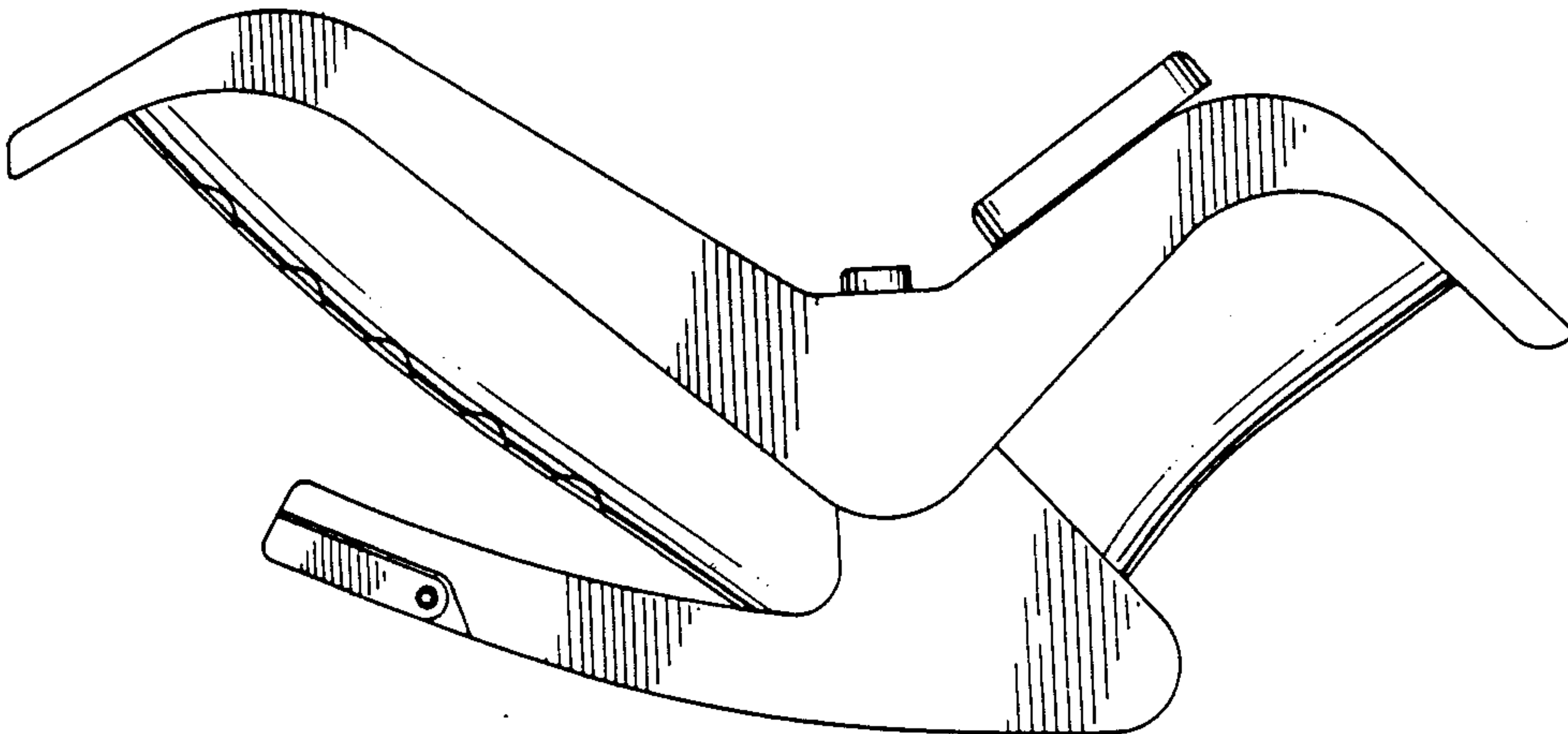
DESCRIPTION

FIG. 1 is a front elevational view of an infant seat showing my new design;
FIG. 2 is a rear elevational view thereof;
FIG. 3 is a right side elevational view, the left side being substantially a mirror image thereof; and
FIG. 4 is a top plan view thereof.

[56] **References Cited**

U.S. PATENT DOCUMENTS

D. 210,276 2/1968 Hamilton et al. D6/333
D. 246,682 12/1977 Nakao D6/333 X



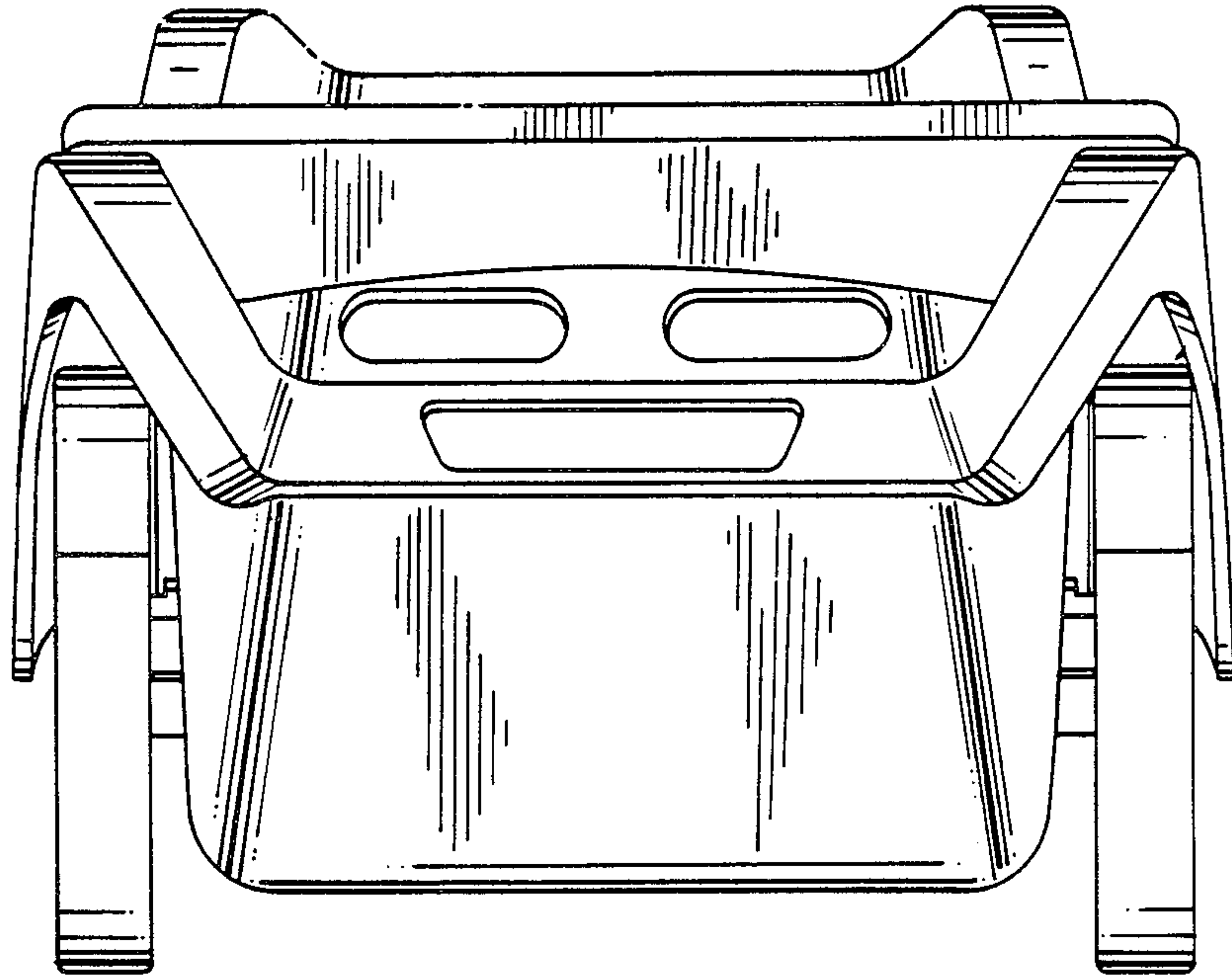


FIG. 1

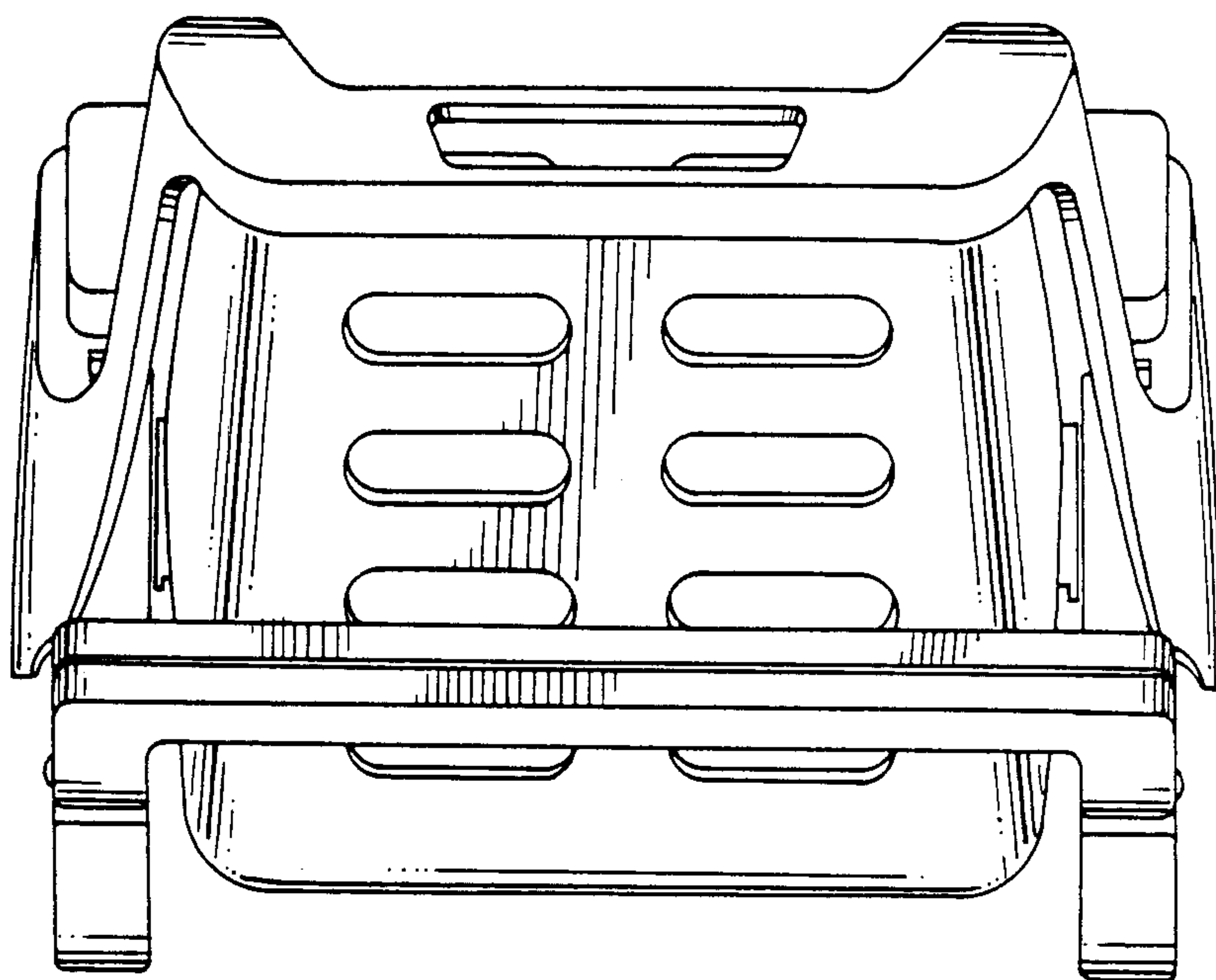


FIG. 2

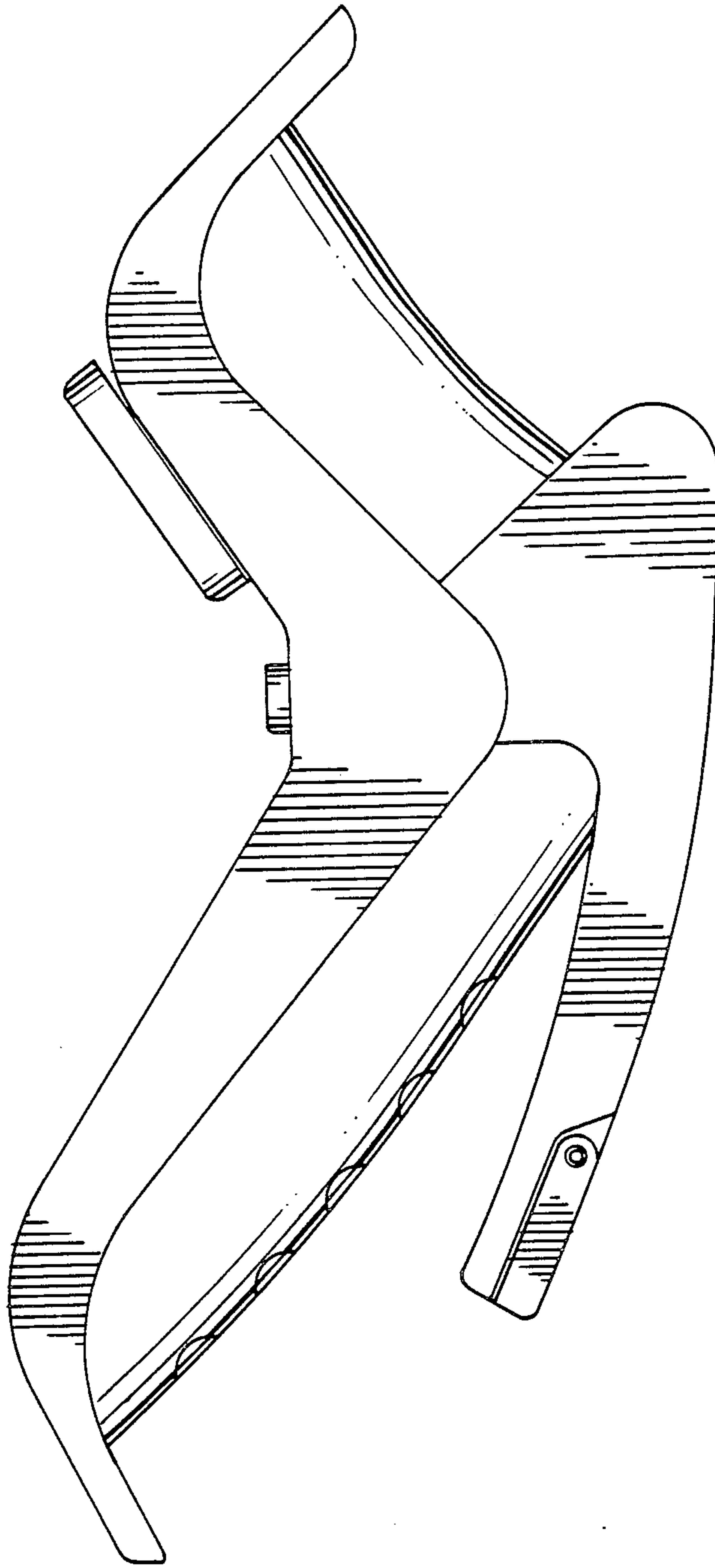


FIG. 3

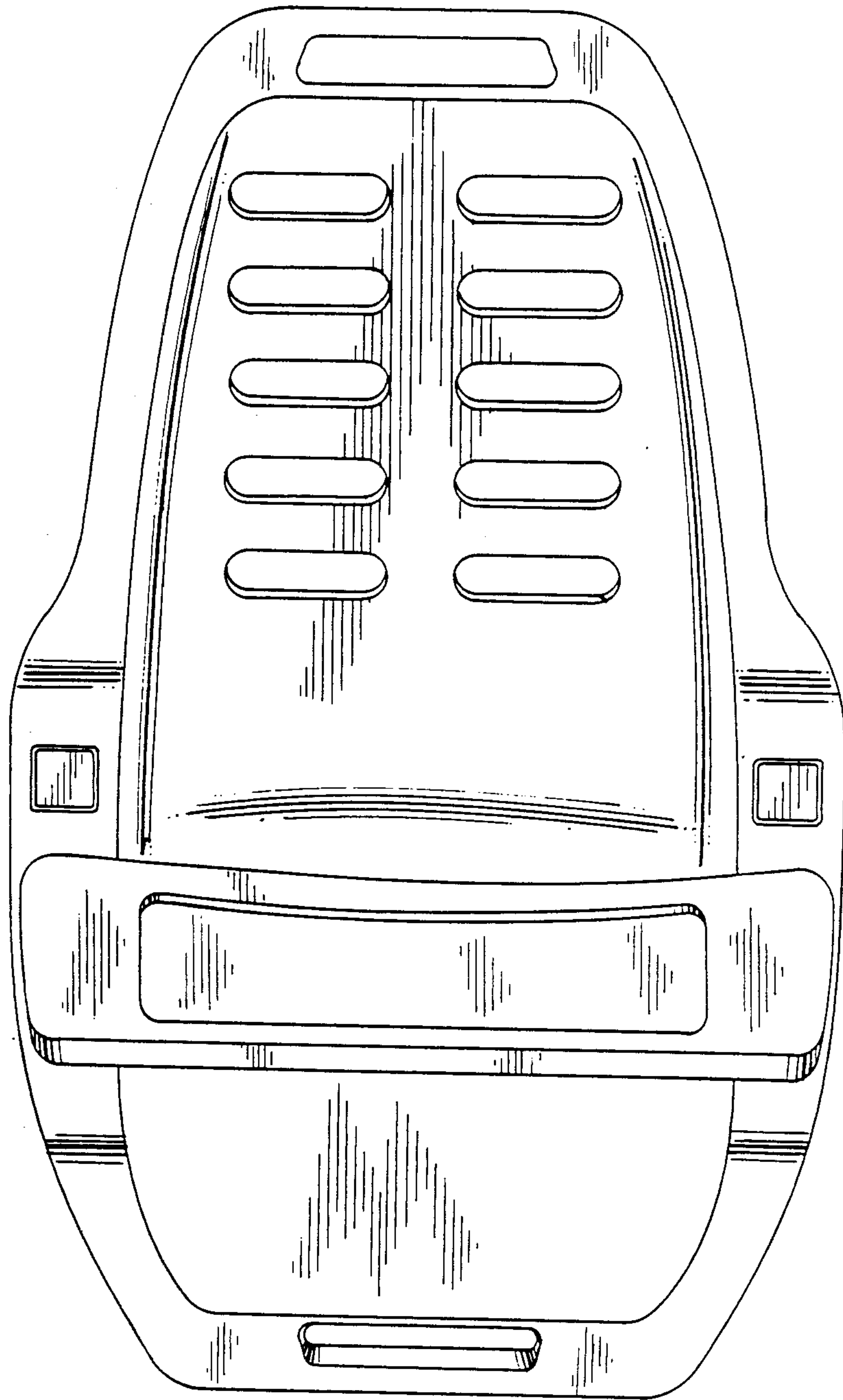


FIG. 4