

United States Patent [19]
Machacek

[11] **Patent Number: Des. 293,165**
[45] **Date of Patent: ** Dec. 15, 1987**

[54] **ANGLED BROOM**

[75] **Inventor: Robert W. Machacek, Villa Park, Ill.**

[73] **Assignee: The Drackett Company, Cincinnati, Ohio**

[**] **Term: 14 Years**

[21] **Appl. No.: 833,451**

[22] **Filed: Feb. 13, 1986**

[52] **U.S. Cl. D4/135; D4/199;
D32/50; D32/51**

[58] **Field of Search D4/130, 135, 199;
D32/40, 50, 51, 52; 15/159 R, 159 A, 160, 168,
191-200, 204-205**

[56] **References Cited**

U.S. PATENT DOCUMENTS

D. 227,199	6/1973	Payne	D4/135
246,500	8/1881	Hall	15/159 R
4,250,589	2/1981	Alvin	15/160 X
4,385,411	5/1983	Clark	15/160

Primary Examiner—Catherine E. Kemper
Attorney, Agent, or Firm—G. Warzecha

[57] **CLAIM**

The ornamental design for an angled broom, substantially as shown and described.

DESCRIPTION

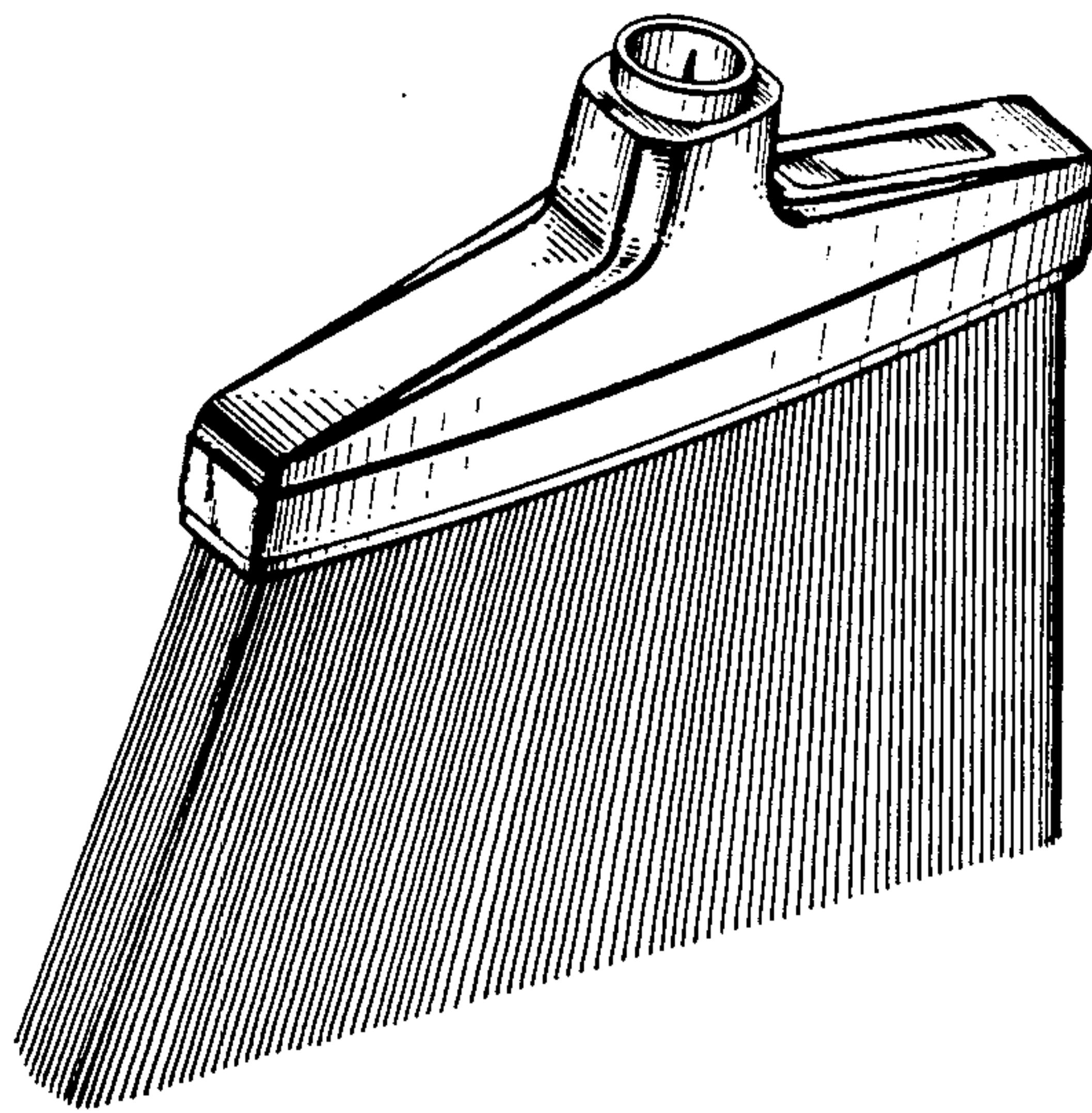
FIG. 1 is a perspective view of an angled broom, showing my new design;

FIG. 2 is a front elevational view thereof;

FIG. 3 is a left side elevational view thereof;

FIG. 4 is a top plan view thereof;

FIG. 5 is a bottom plan view thereof.



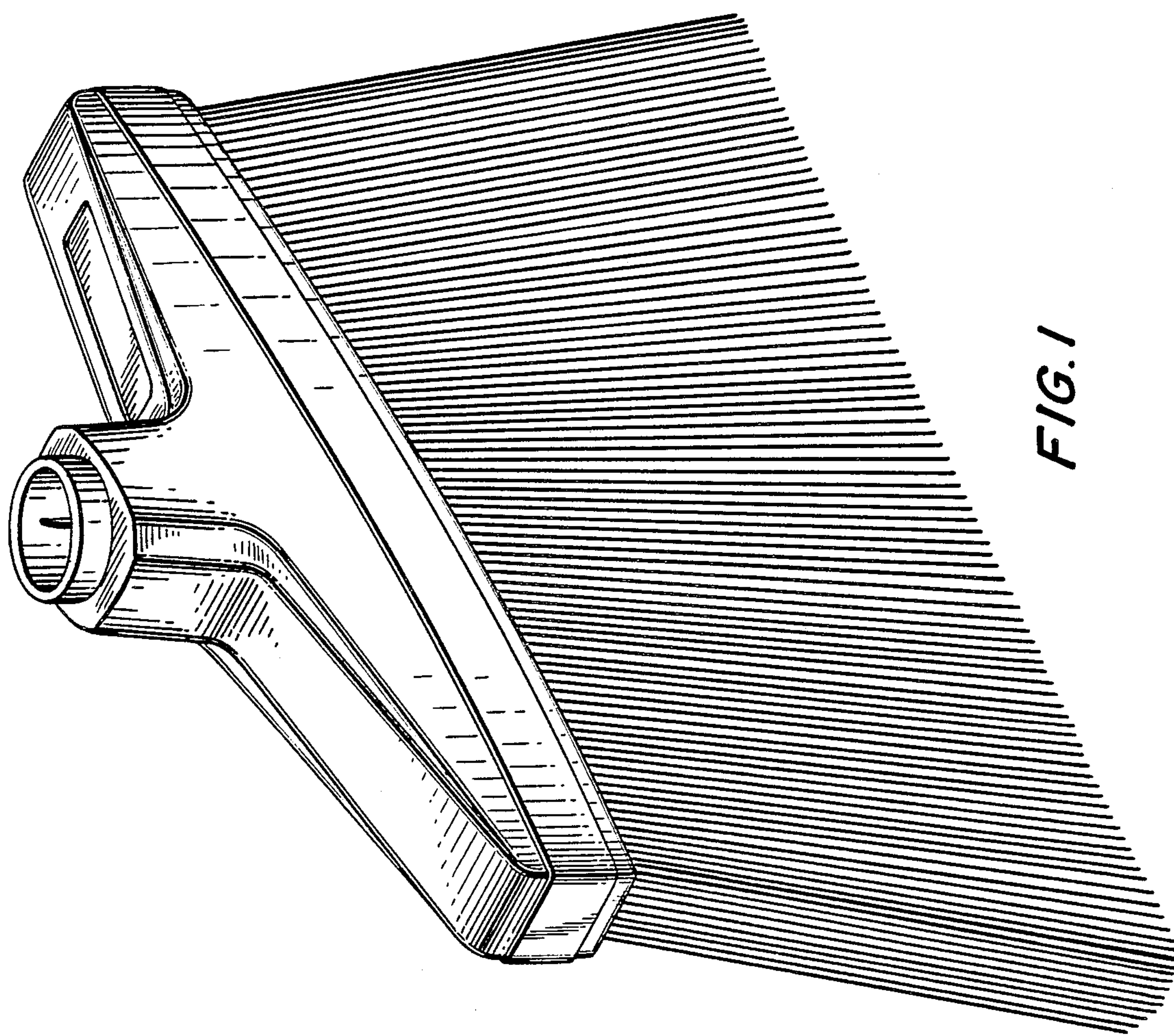


FIG. 1

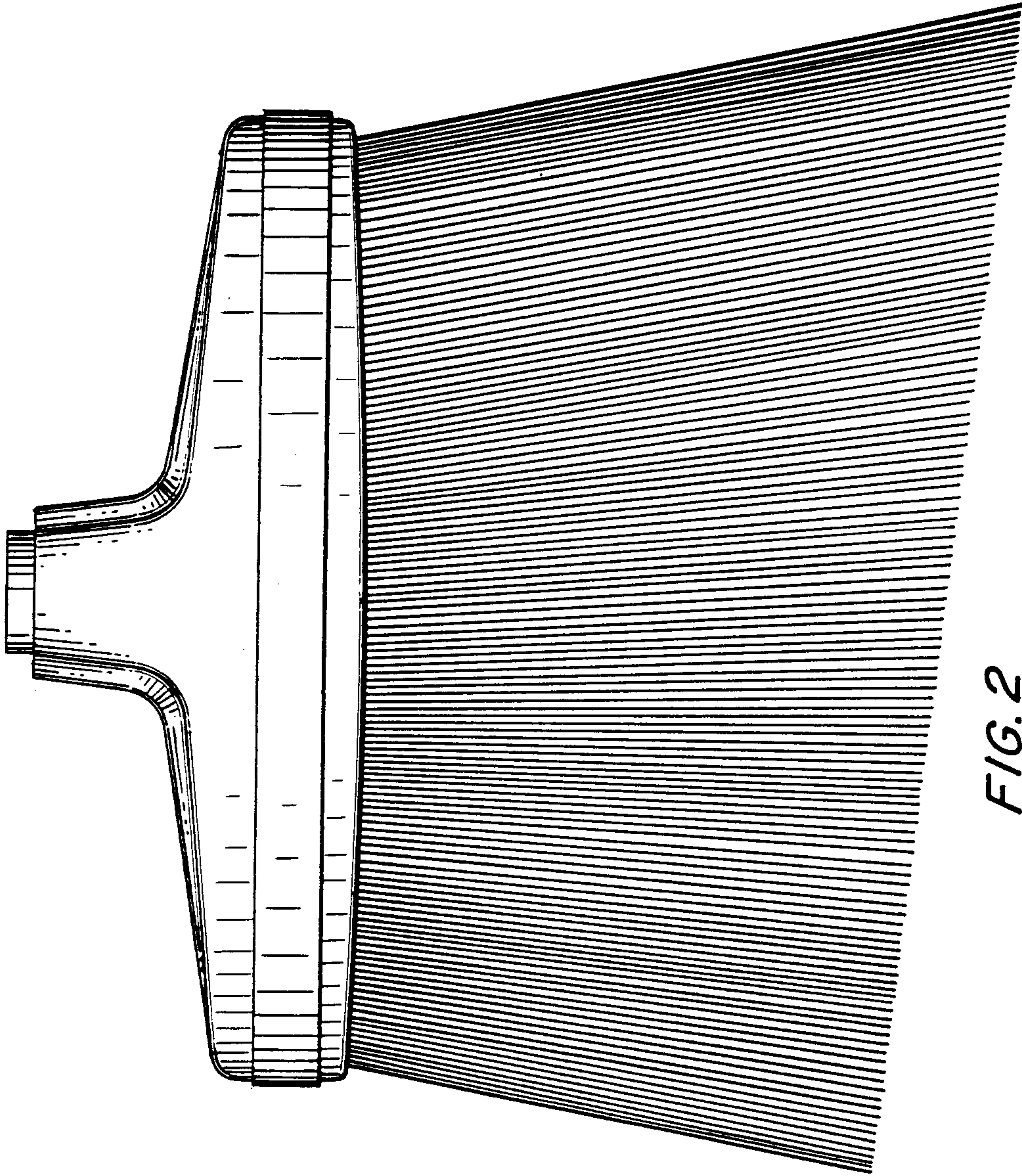


FIG. 2

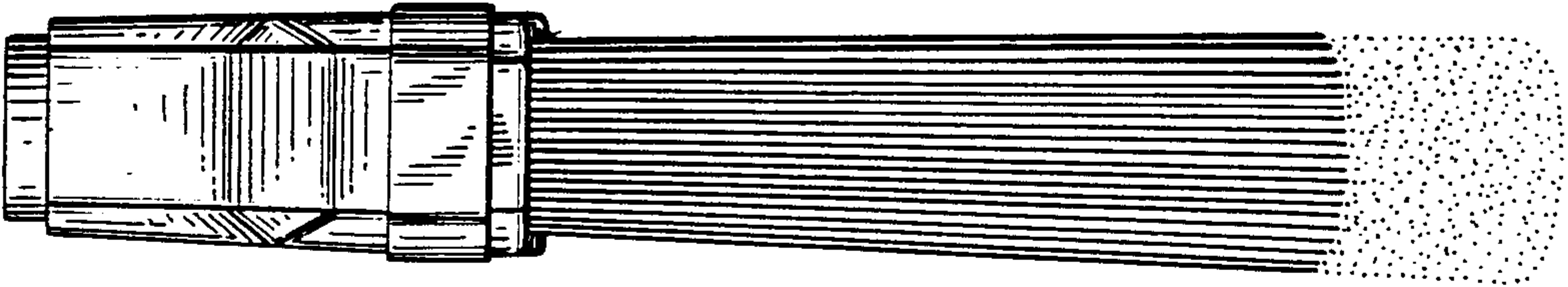


FIG. 3

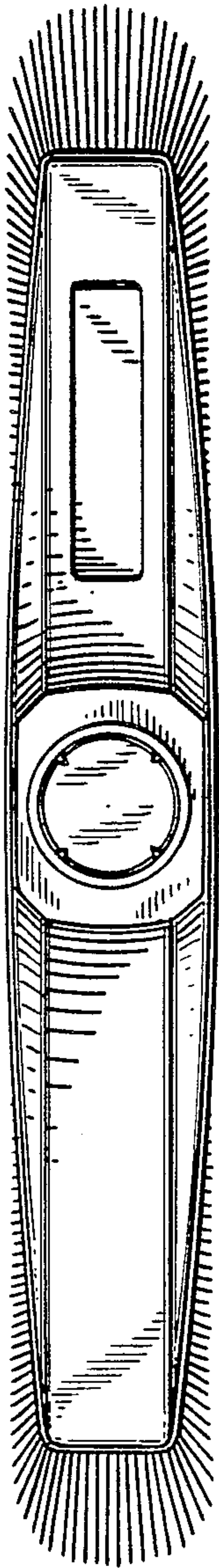


FIG. 4

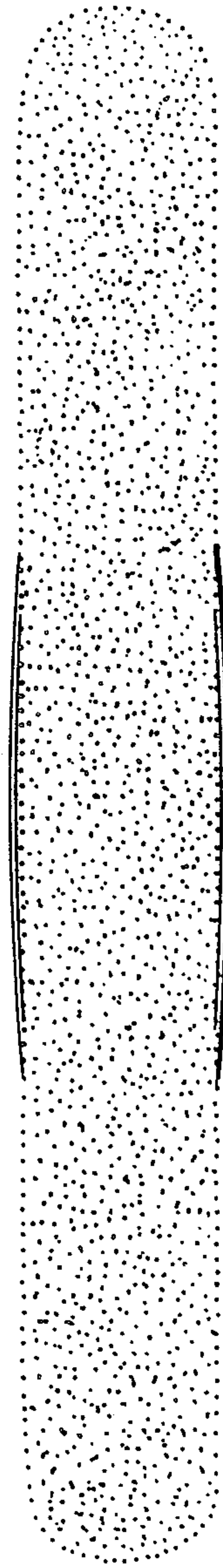


FIG. 5