

[54] CAR TRAY

3,804,031 4/1974 Pitts D7/38

[76] Inventor: Charles S. Roth, 731 Arneill Rd.,
Camarillo, Calif. 93010

Primary Examiner—George P. Word
Attorney, Agent, or Firm—Timothy T. Tyson

[**] Term: 14 Years

[57] CLAIM

[21] Appl. No.: 862,407

The ornamental design for a car tray, substantially as shown and described.

[22] Filed: May 9, 1986

DESCRIPTION

[52] U.S. Cl. D3/40; D7/38

[58] Field of Search D3/40, 74; D7/38;
108/44, 45, 46; 224/275, 281, 42.42, 42.43,
42.44, 42.45 R, 42.46; D12/155

FIG. 1 is a top plan view of a car tray, showing my new design;
FIG. 2 is a bottom plan view thereof;
FIG. 3 is a side elevational view thereof taken from the bottom of FIG. 1; the opposite side (not shown) is the mirror image thereof;
FIG. 4 is a cross-sectional view thereof taken along line 4-4 in FIG. 2;
FIG. 5 is a rear elevational view thereof;
FIG. 6 is a front elevational view thereof; and
FIG. 7 is a reduced-scale bottom perspective view thereof.

[56] References Cited

U.S. PATENT DOCUMENTS

D. 257,914	1/1981	Wooters	D3/40
D. 267,767	2/1983	Storrs	D7/38
2,825,611	3/1958	Aynesworth	108/45
2,986,438	5/1961	Smathers et al.	D7/38
3,606,112	9/1971	Cheshier	D7/38

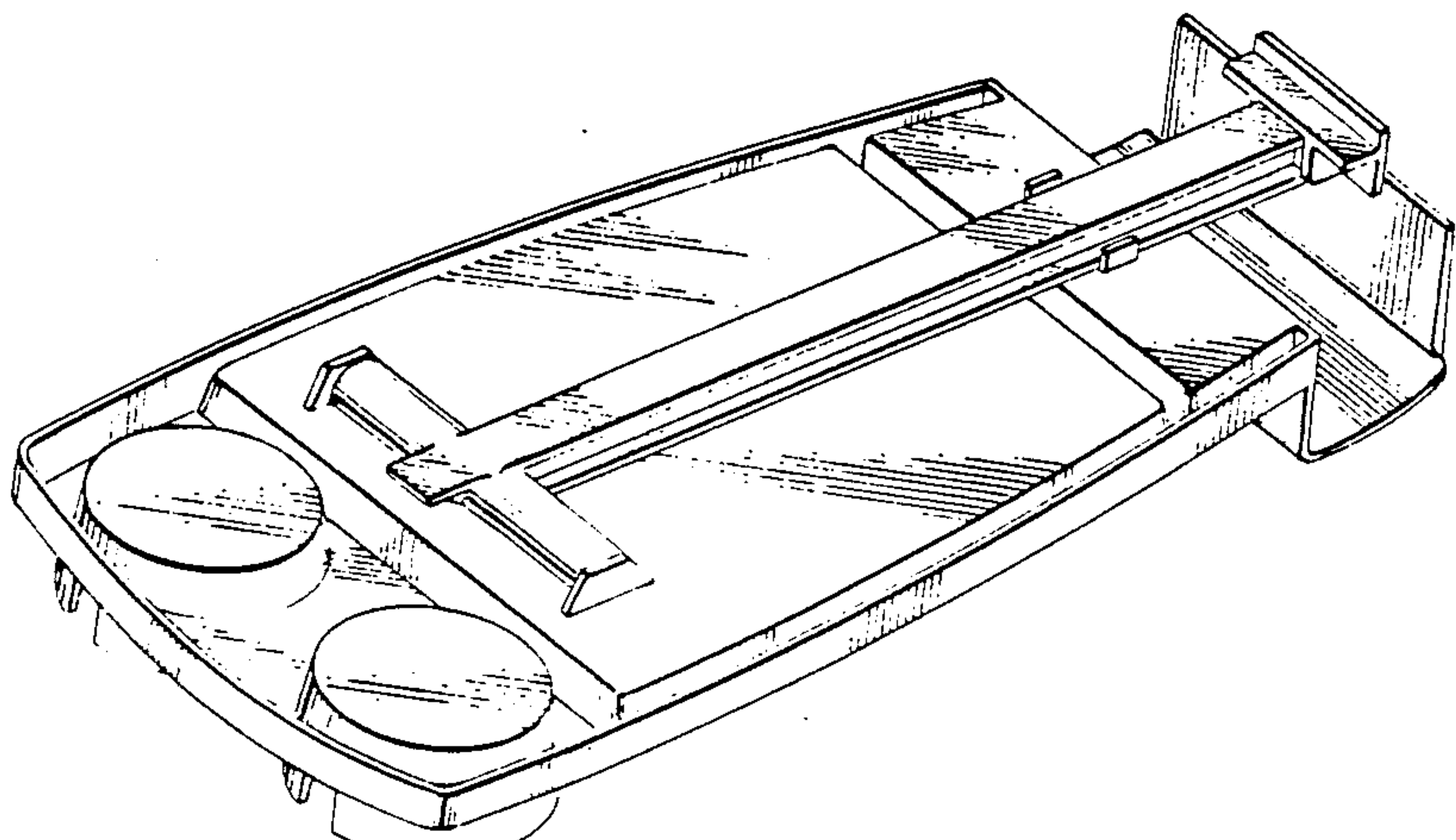
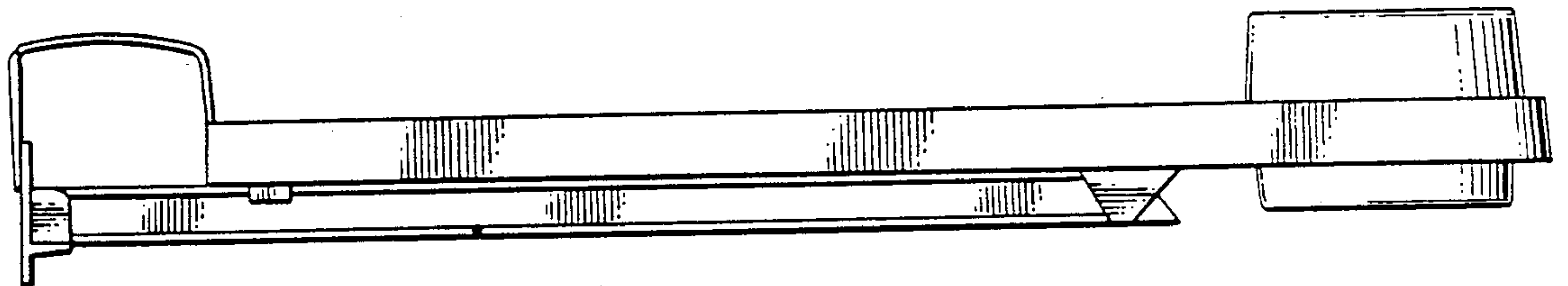
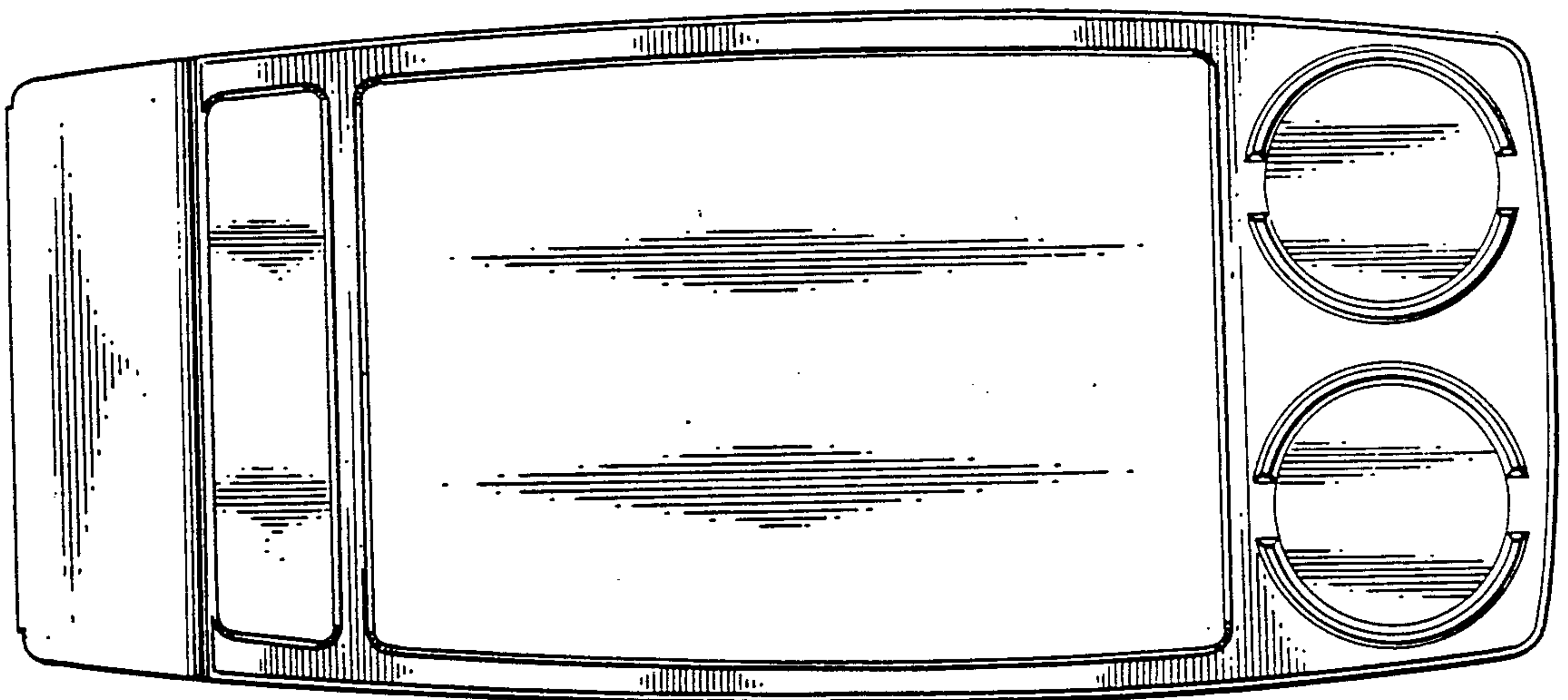


FIG. 1

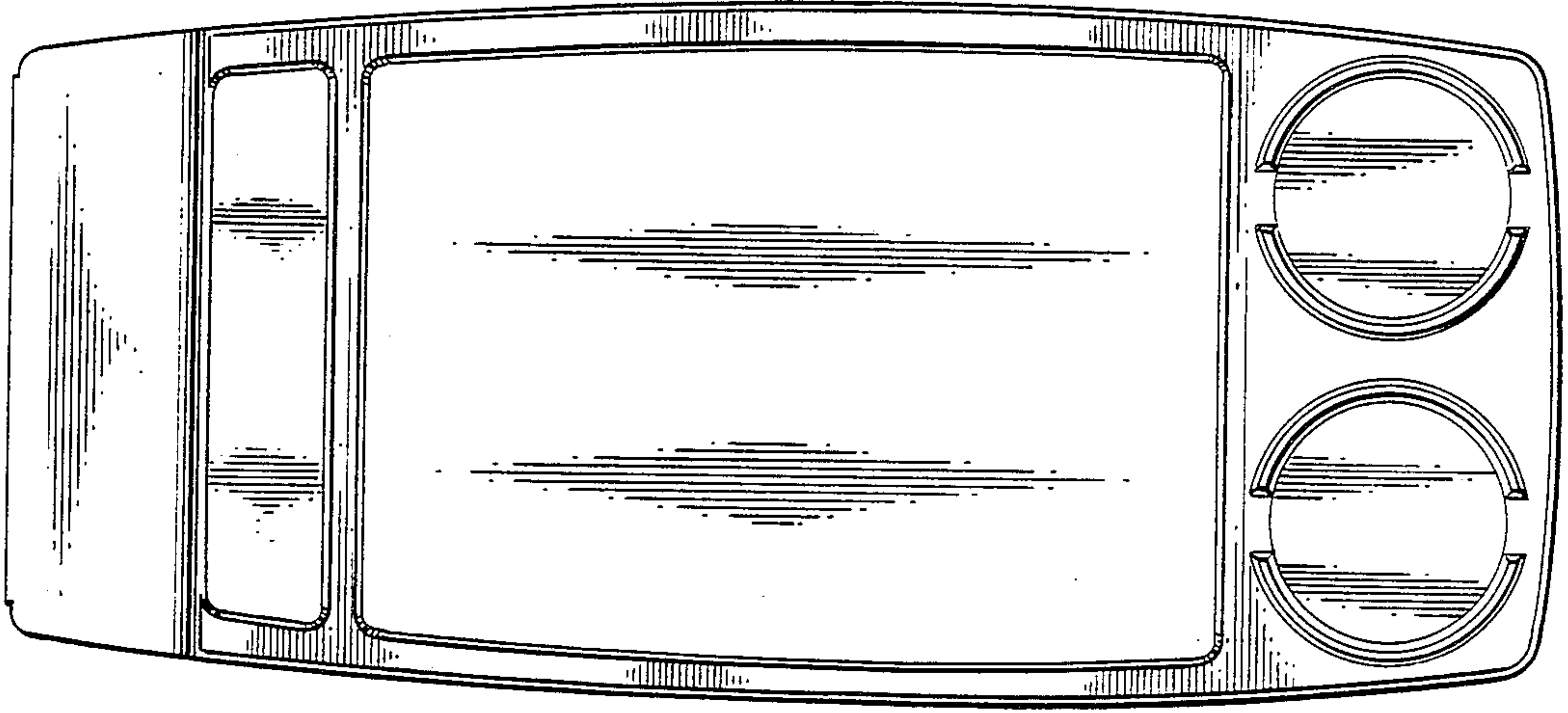


FIG. 2

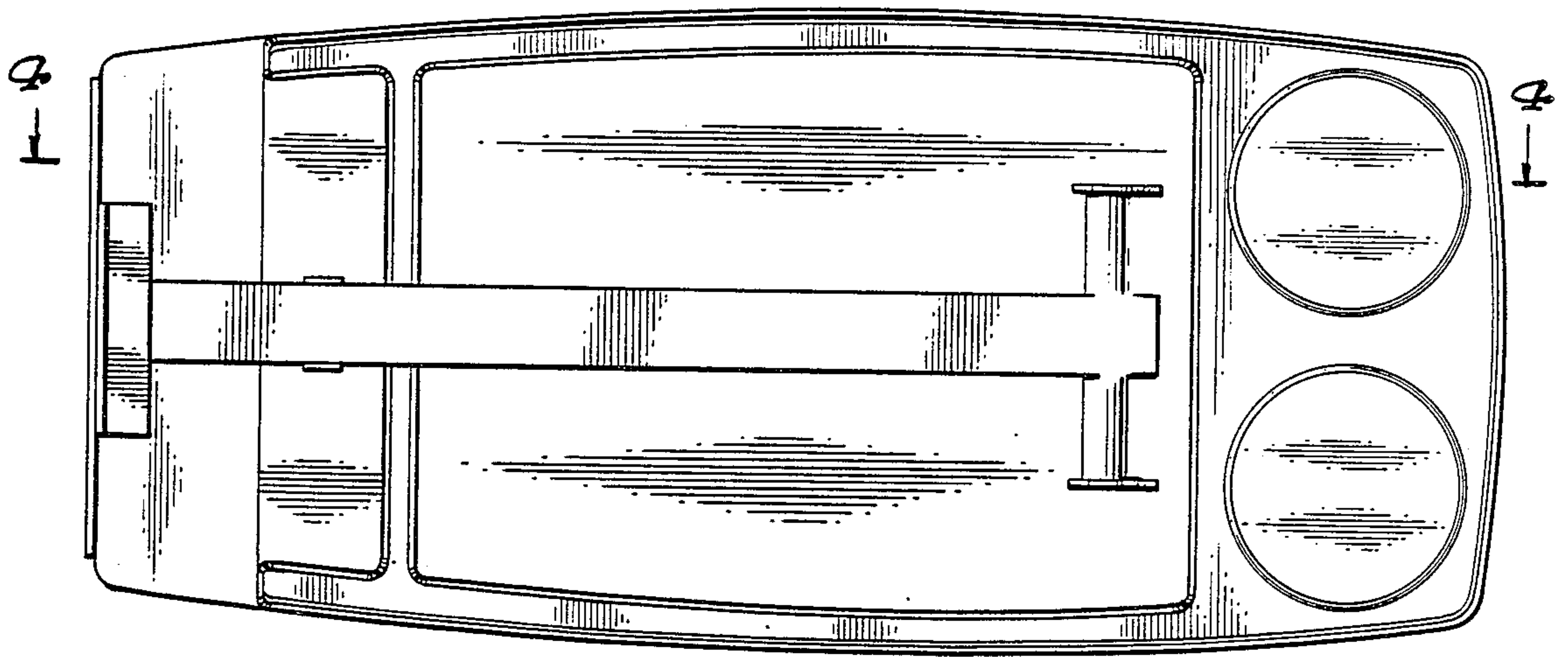


FIG. 3

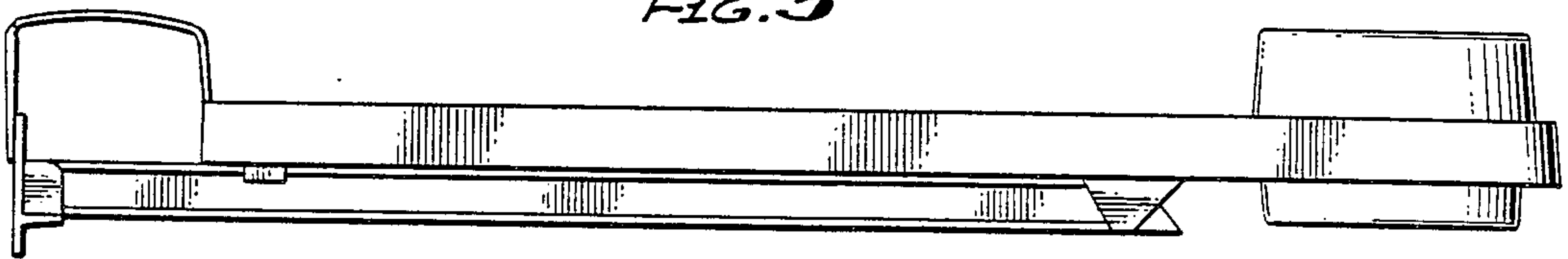
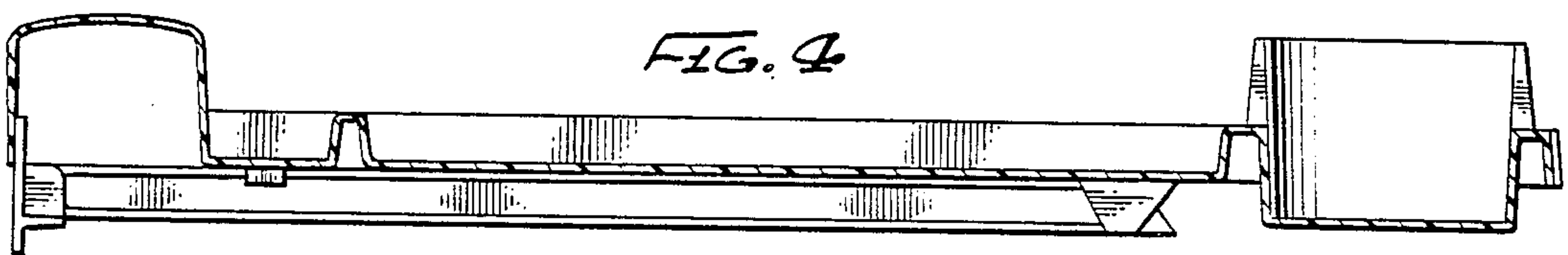


FIG. 4



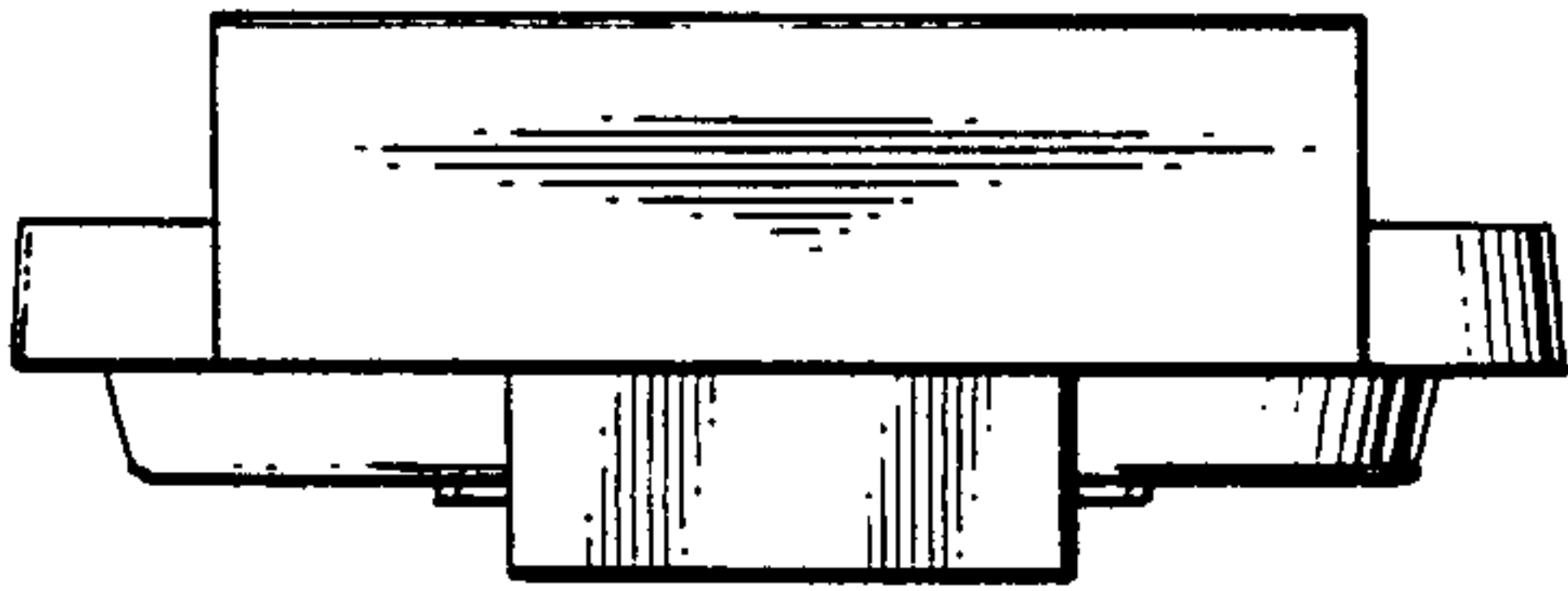


FIG. 5

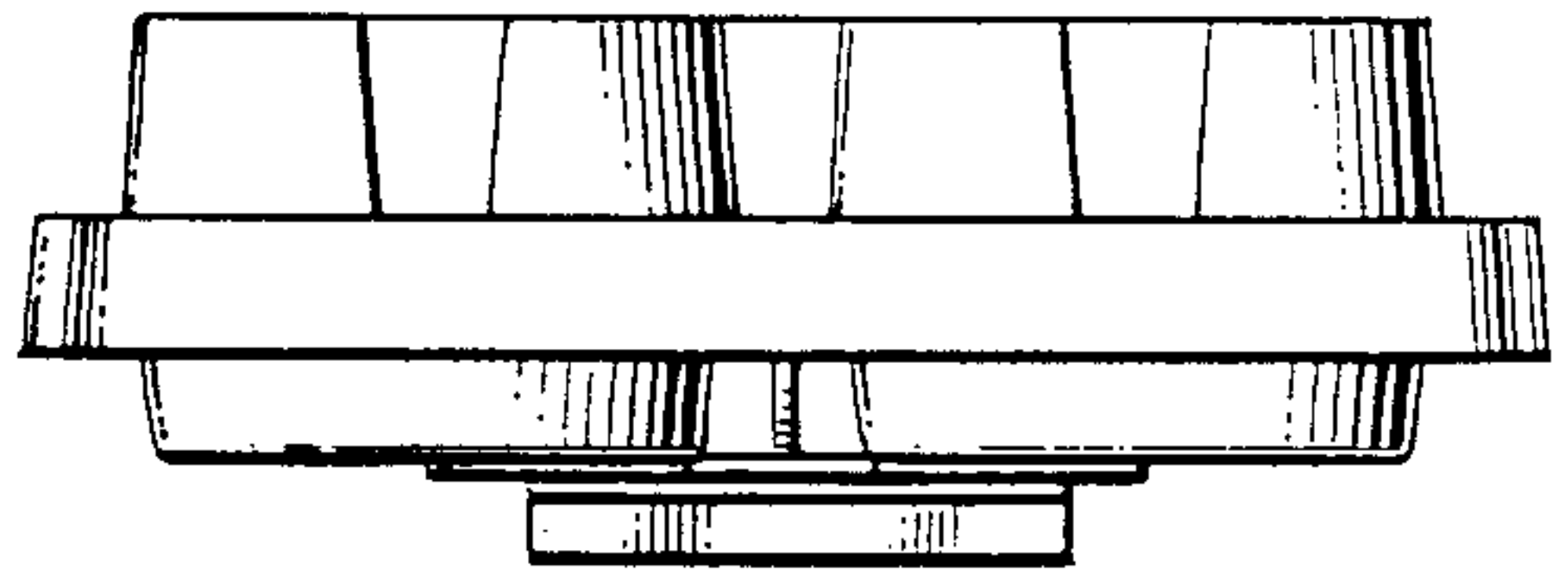


FIG. 6

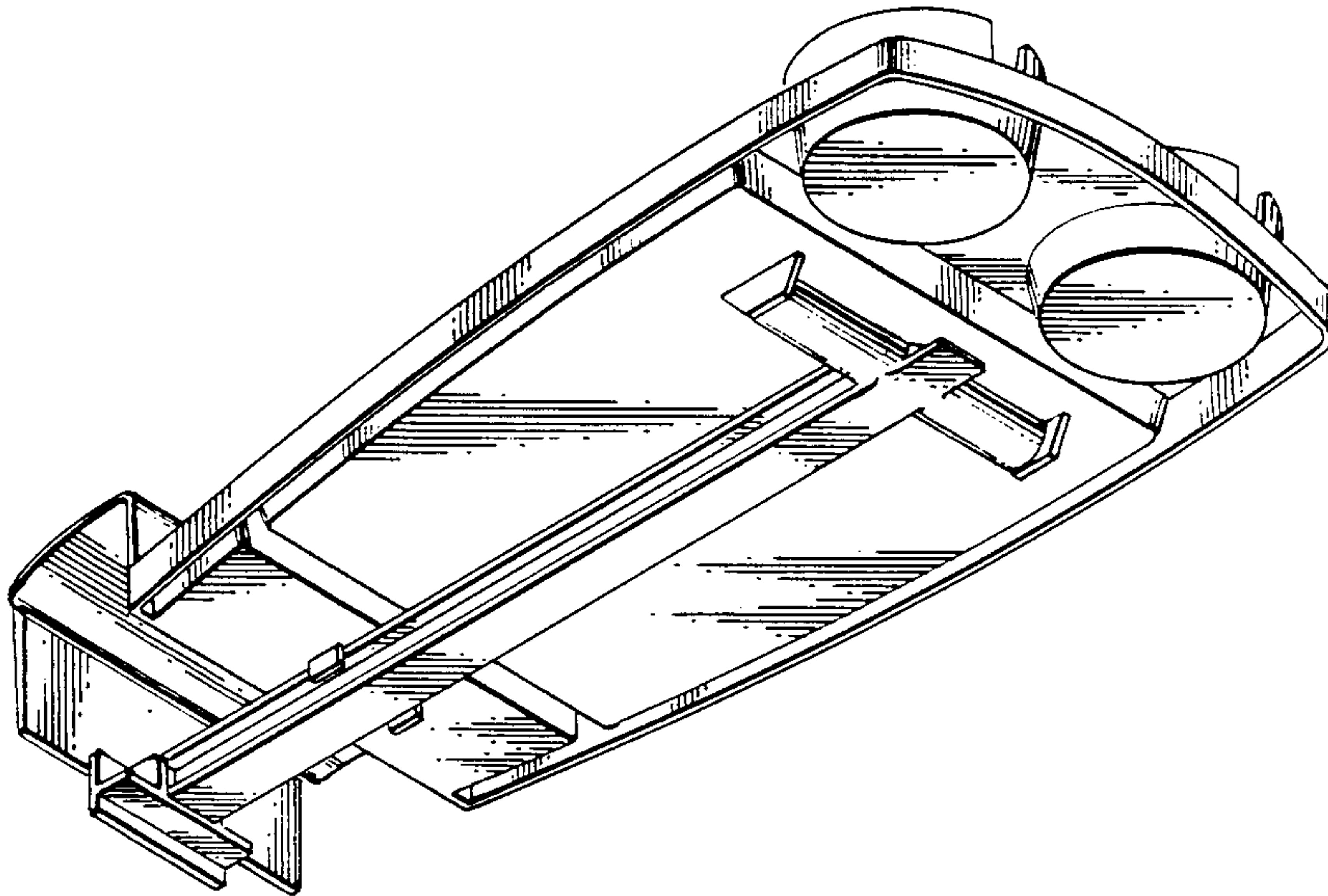


FIG. 7