

United States Patent [19]

Prinzhorn

[11] Patent Number: Des. 293,150

[45] Date of Patent: ** Dec. 8, 1987

[54] AUTOMATED TELLER SERVICE CENTER ENCLOSURE

D. 288,011 1/1987 Prinzhorn D99/28
3,943,335 3/1976 Kinker et al. 235/379

[75] Inventor: Ernest F. J. Prinzhorn, Los Angeles, Calif.

Primary Examiner—Winifred E. Herrmann
Attorney, Agent, or Firm—Saul Epstein

[73] Assignee: QRS Corporation, Los Angeles, Calif.

[57] CLAIM

[**] Term: 14 Years

The ornamental design for an automated teller service center enclosure, substantially as shown and described.

[21] Appl. No.: 709,213

DESCRIPTION

[22] Filed: May 13, 1985

[52] U.S. Cl. D99/28; D99/43; D99/99

[58] Field of Search D25/16, 1; D99/99, 28, D99/43, 34; 235/379; D14/102, 107; 109/2, 9, 24.1; D20/2; 232/1 D, 1 E

FIG. 1 is a top, front and left side perspective view of an automated teller service center enclosure showing my new design;

FIG. 2 is a front elevational view thereof;

FIG. 3 is a left side elevational view thereof;

FIG. 4 is a right side elevational view thereof;

FIG. 5 is a top plan view thereof; and

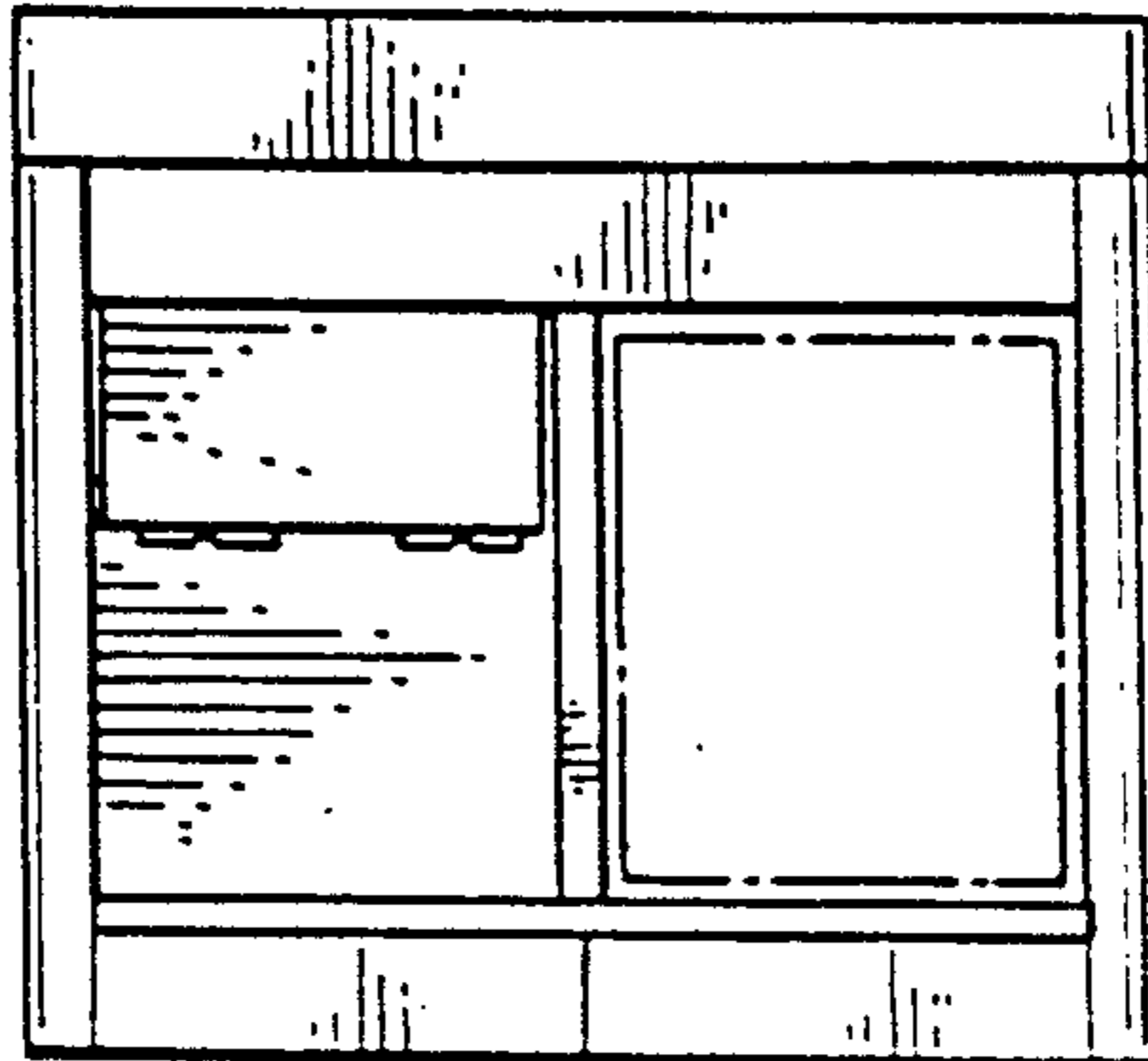
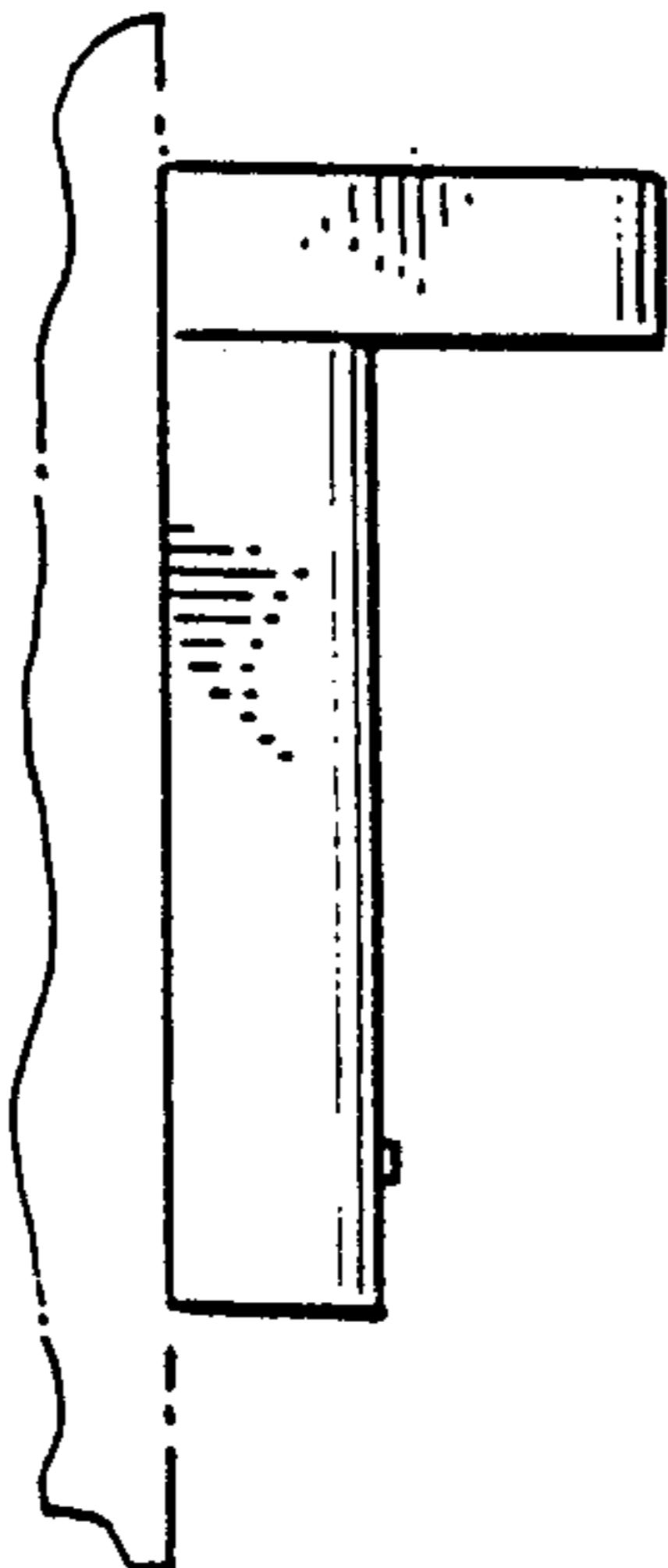
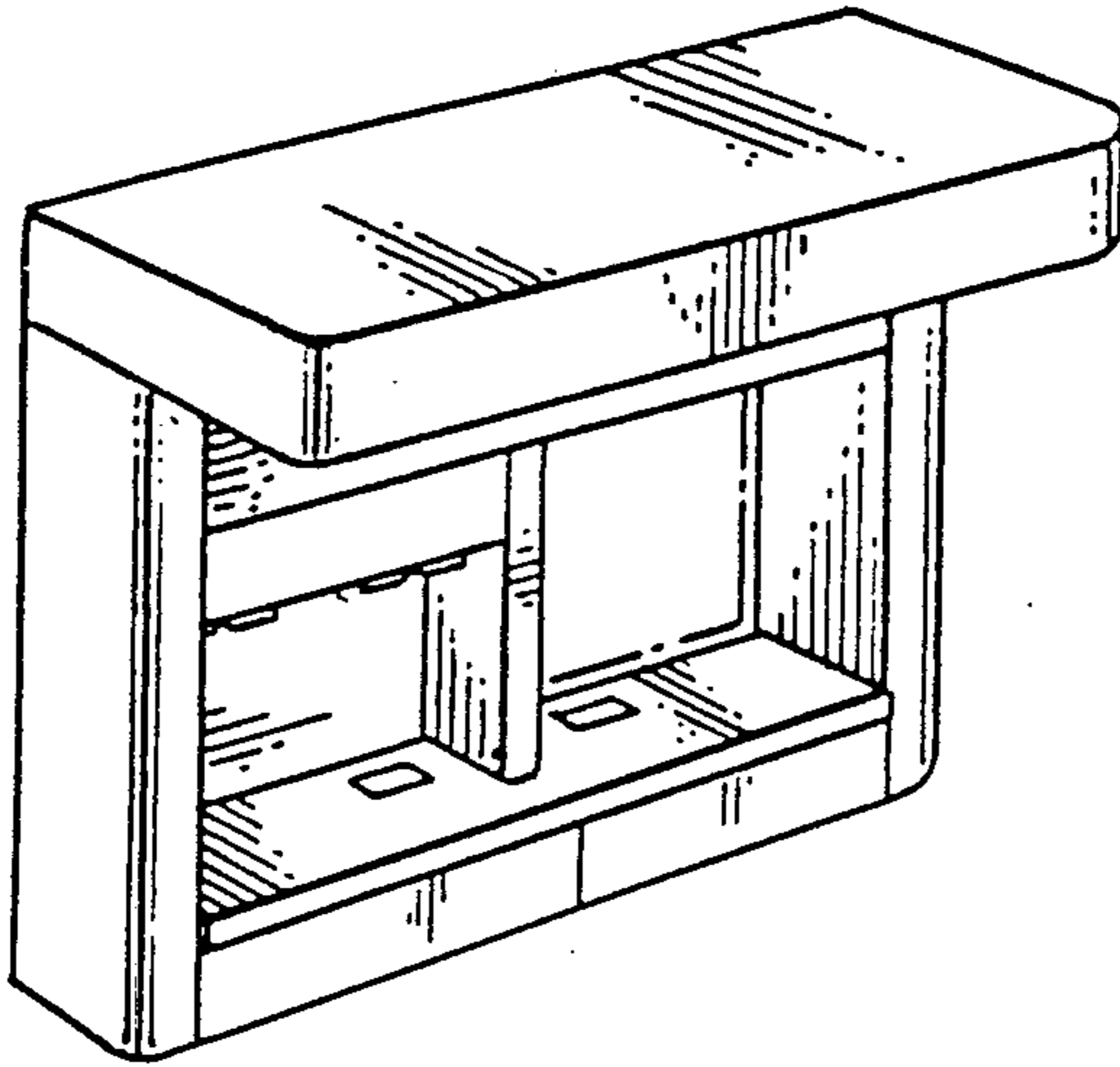
FIG. 6 is a bottom plan view thereof.

The broken line showing of a portion of a wall in FIG. 3 is illustrative of environmental structure only. The broken lines appearing in FIGS. 1 and 2 represent an automated teller machine which may be mounted in the enclosure and are not part of the claimed design. The rear of the claimed design is flat.

[56] References Cited

U.S. PATENT DOCUMENTS

- D. 220,092 3/1971 Francis D99/43 X
- D. 263,344 3/1982 McCarthy et al. D99/43 X
- D. 264,263 5/1982 Hauser et al. D99/43 X
- D. 283,937 5/1986 Prinzhorn D99/28



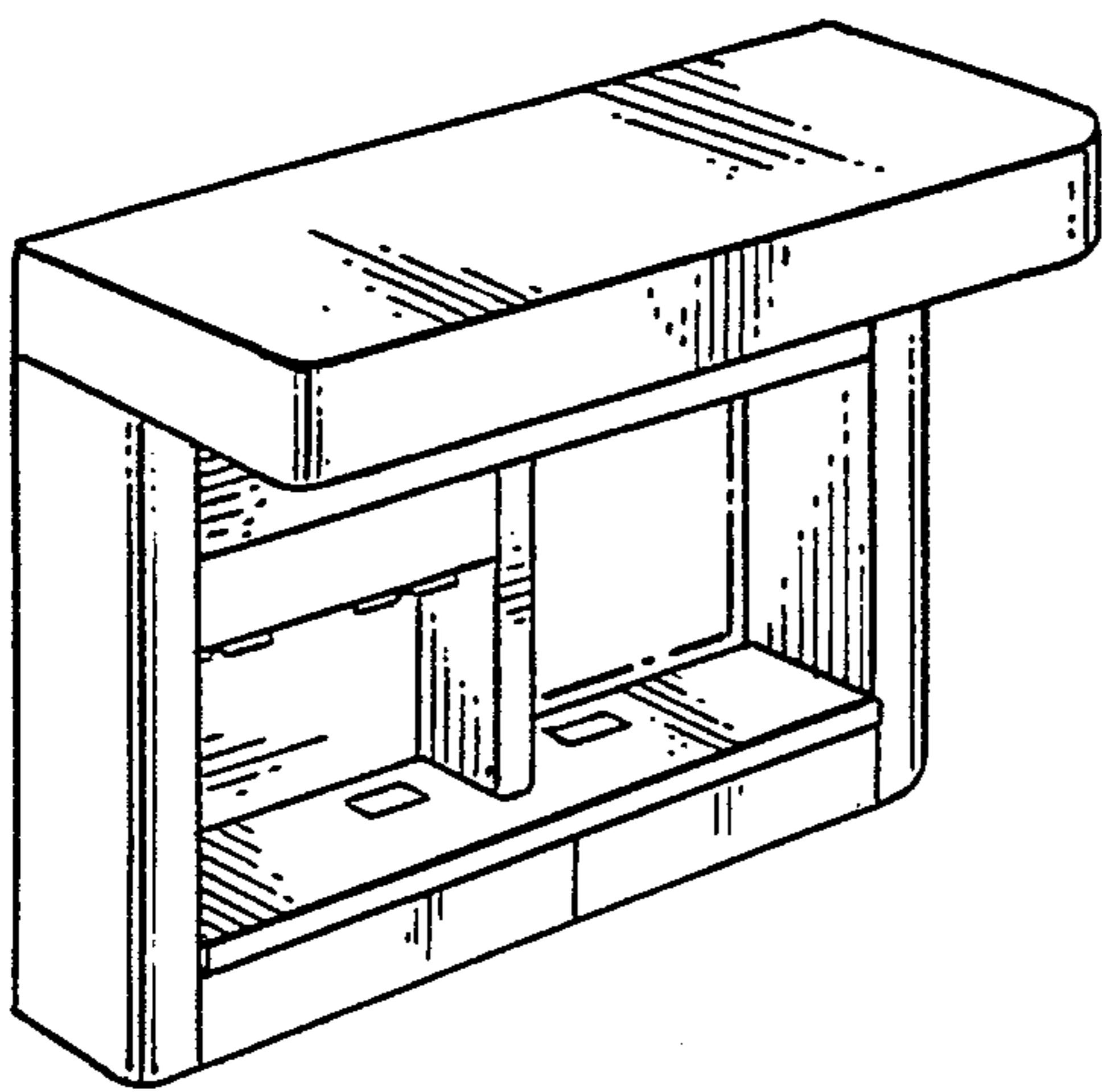


FIG. 1.



FIG. 5.

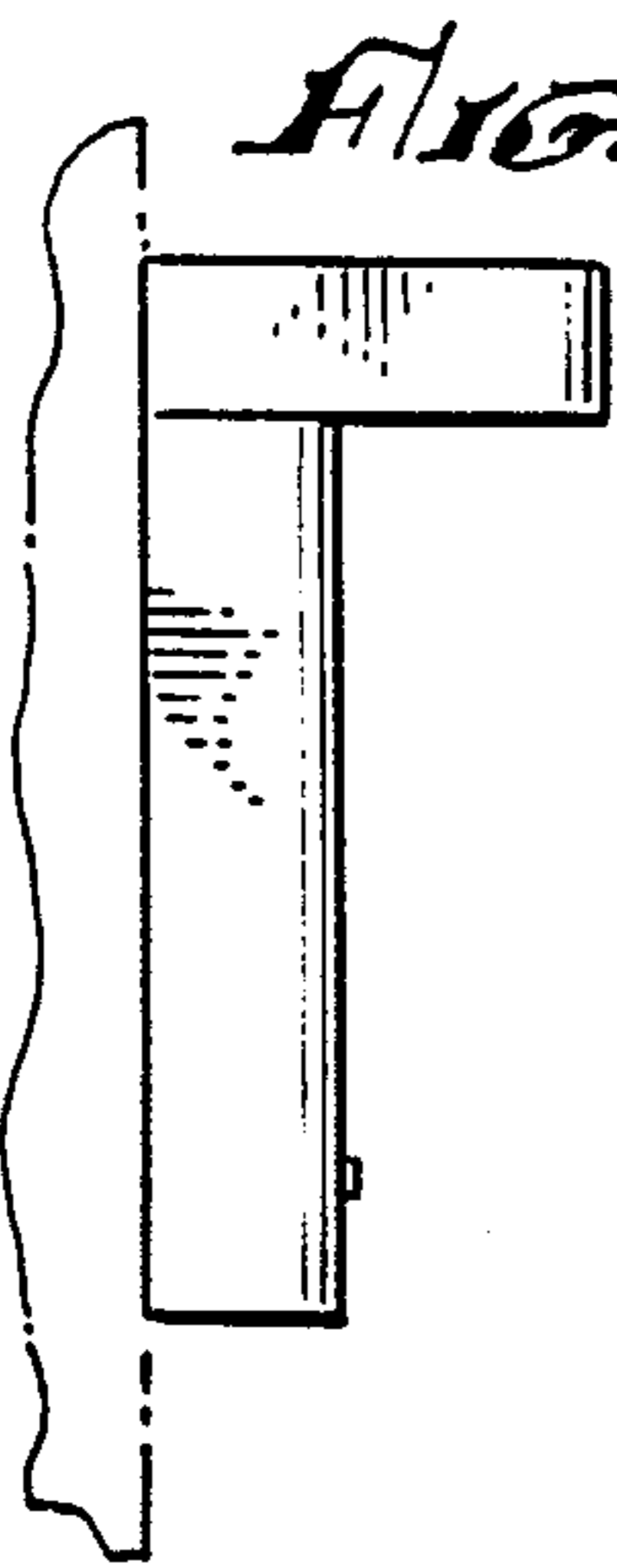


FIG. 3.

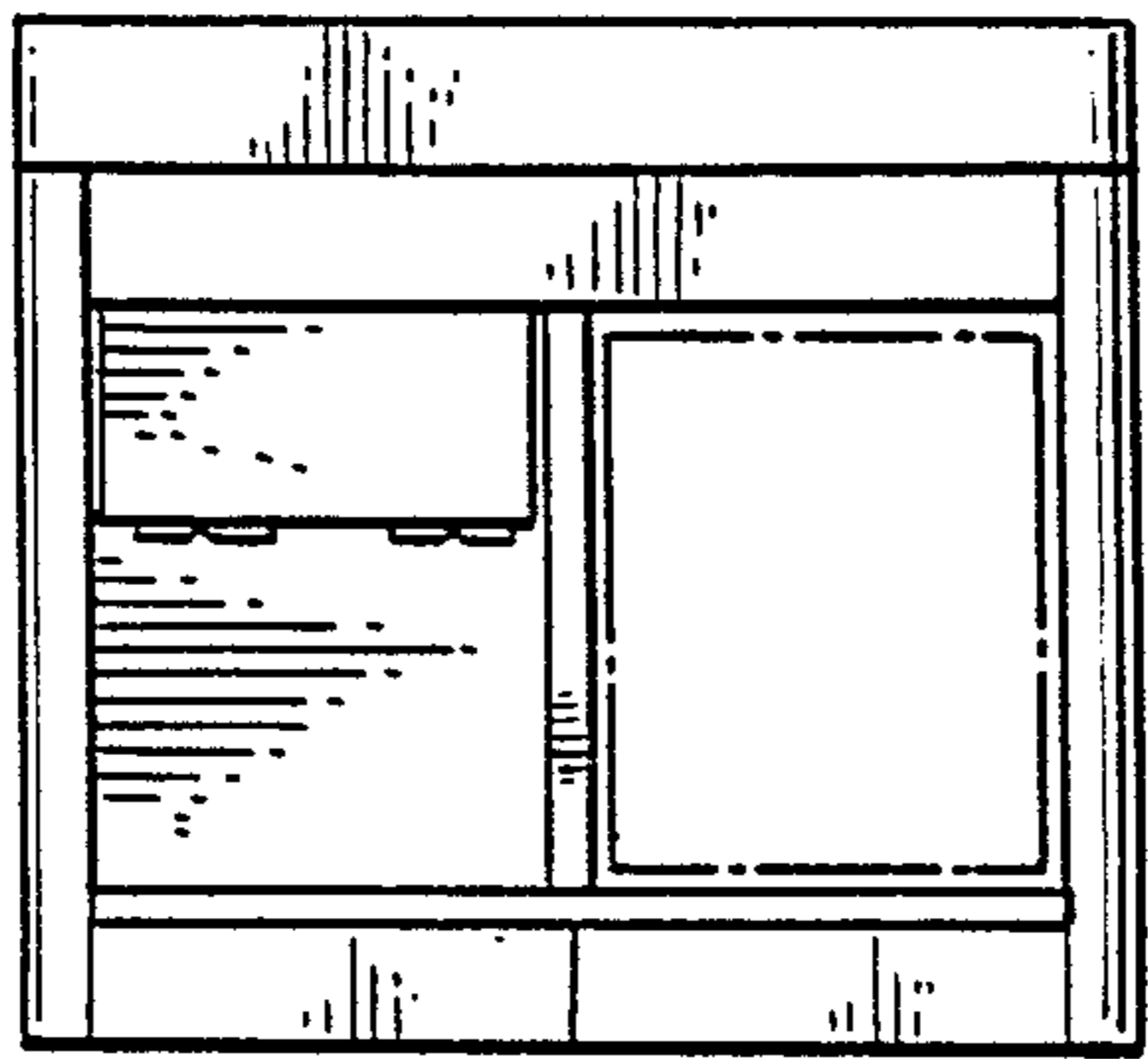


FIG. 2.

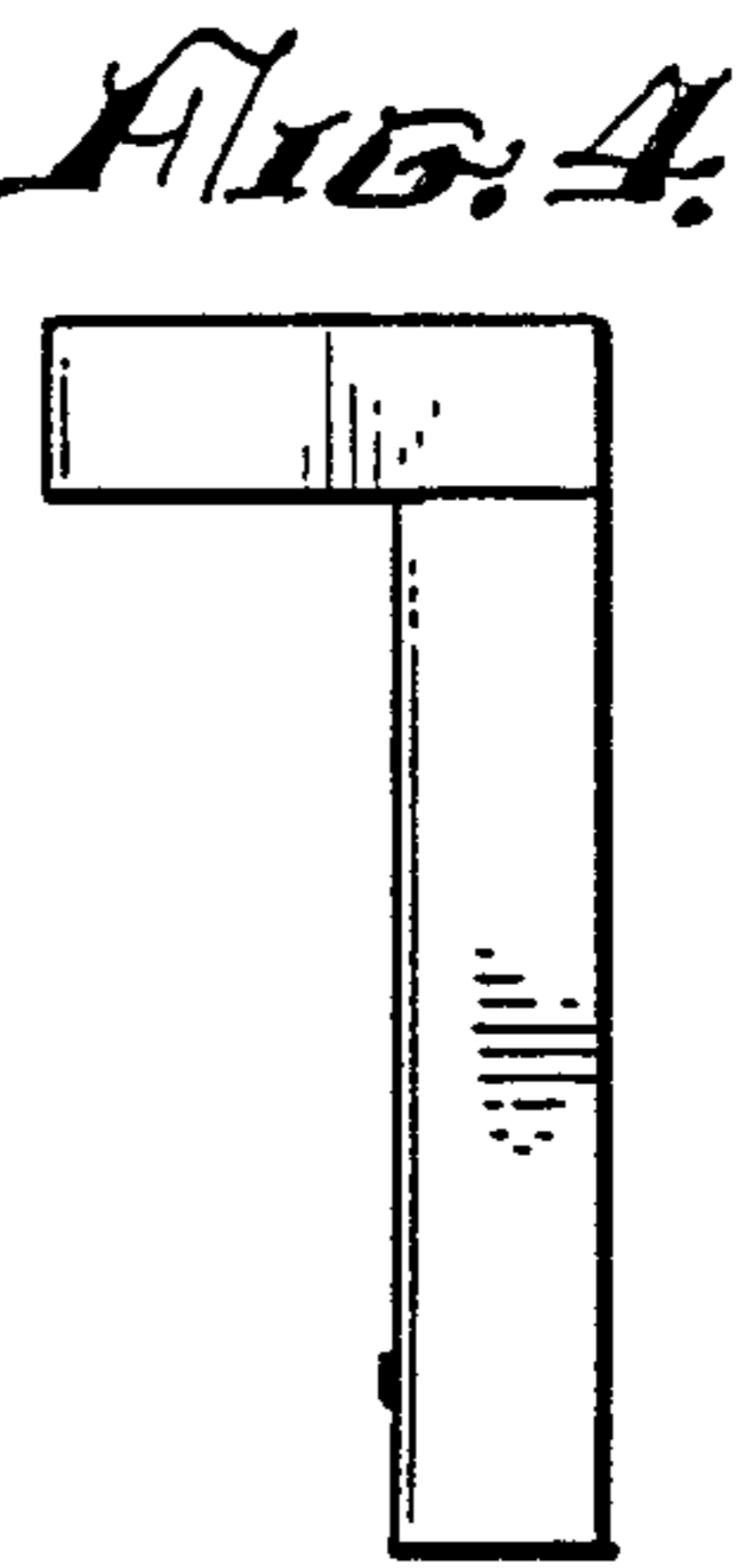


FIG. 4.

FIG. 6.

