

**United States Patent** [19]  
**Minost**

[11] **Patent Number: Des. 293,149**  
[45] **Date of Patent: \*\* Dec. 8, 1987**

[54] **MODULAR TISSUE DISPENSING CART**

[75] **Inventor: Henri Minost, Neuilly s/Seine, France**

[73] **Assignee: Beghin-Say, S.A., Thumeries, France**

[\*\*] **Term: 14 Years**

[21] **Appl. No.: 712,516**

[22] **Filed: Mar. 18, 1985**

[30] **Foreign Application Priority Data**

Sep. 17, 1984 [FR] France ..... 84.4046

[52] **U.S. Cl. .... D34/26**

[58] **Field of Search .... D34/12, 21, 17, 26, D34/24; 280/47.26, 47.24, 654, 47.19**

[56] **References Cited**

**U.S. PATENT DOCUMENTS**

D. 253,099 10/1979 Boisjolie et al. .... D34/26  
D. 258,436 3/1981 McGilberry ..... D34/26  
D. 268,621 4/1983 Marini et al. .... D34/26

3,545,786 12/1970 Yoder ..... 280/47.24  
4,355,818 10/1982 Watts ..... 280/654  
4,625,949 12/1986 Walker ..... 280/47.26

*Primary Examiner*—James M. Gandy  
*Assistant Examiner*—Kay H. Chin  
*Attorney, Agent, or Firm*—A. W. Breiner

[57] **CLAIM**

The ornamental design for a modular tissue dispensing cart, as shown and described.

**DESCRIPTION**

FIG. 1 is a perspective view of a modular tissue dispensing cart showing my new design;  
FIG. 2 is a right side elevation view thereof, the left side elevation view being a mirror image of that shown;  
FIG. 3 is a front elevation view thereof;  
FIG. 4 is a rear elevation view thereof;  
FIG. 5 is a top plan view thereof; and  
FIG. 6 is a front elevation view thereof, showing an alternate position of the tissue holder bar, the lower portion of the cart has been shown broken away for convenience of illustration.

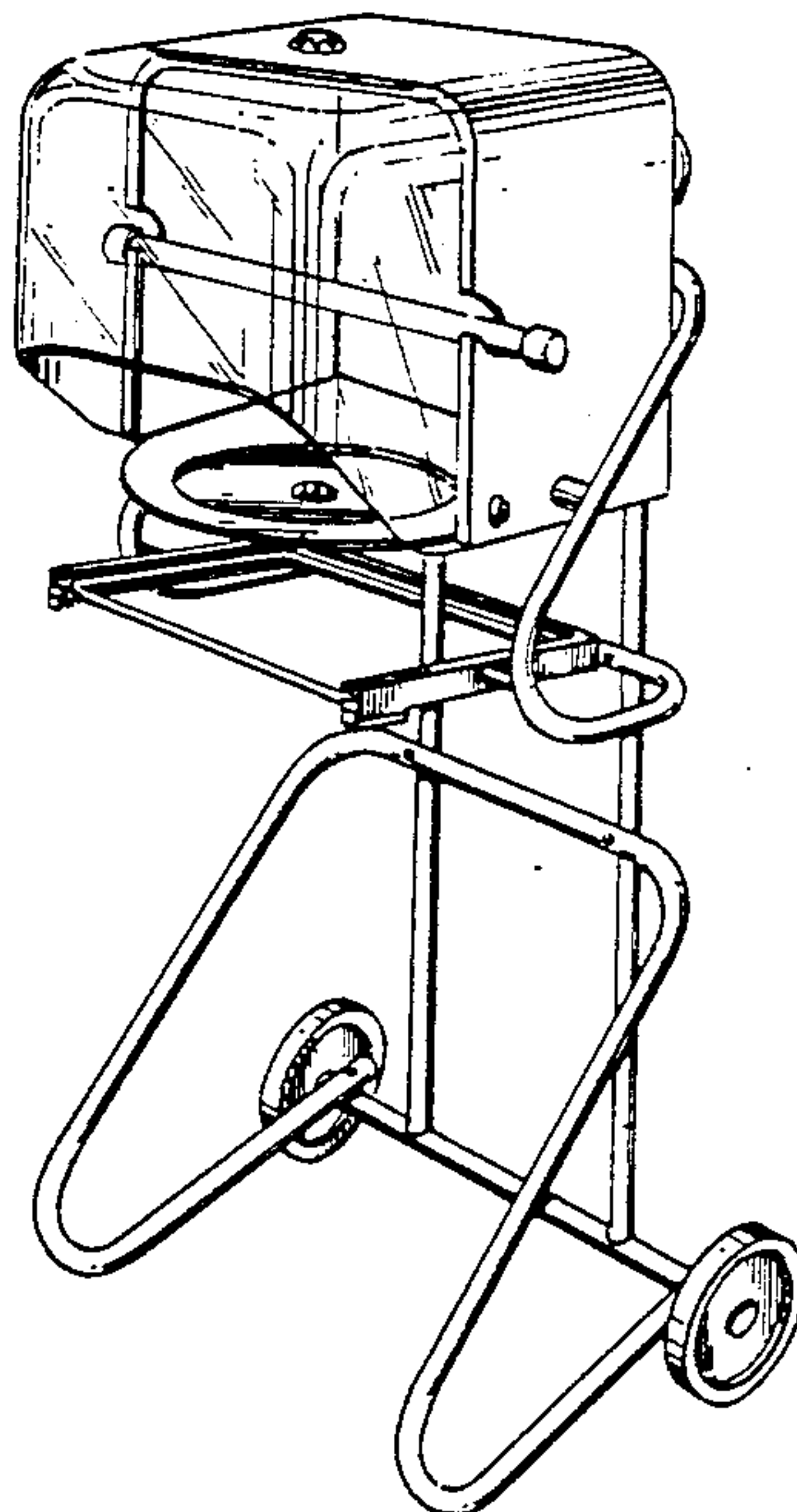


FIG. 1

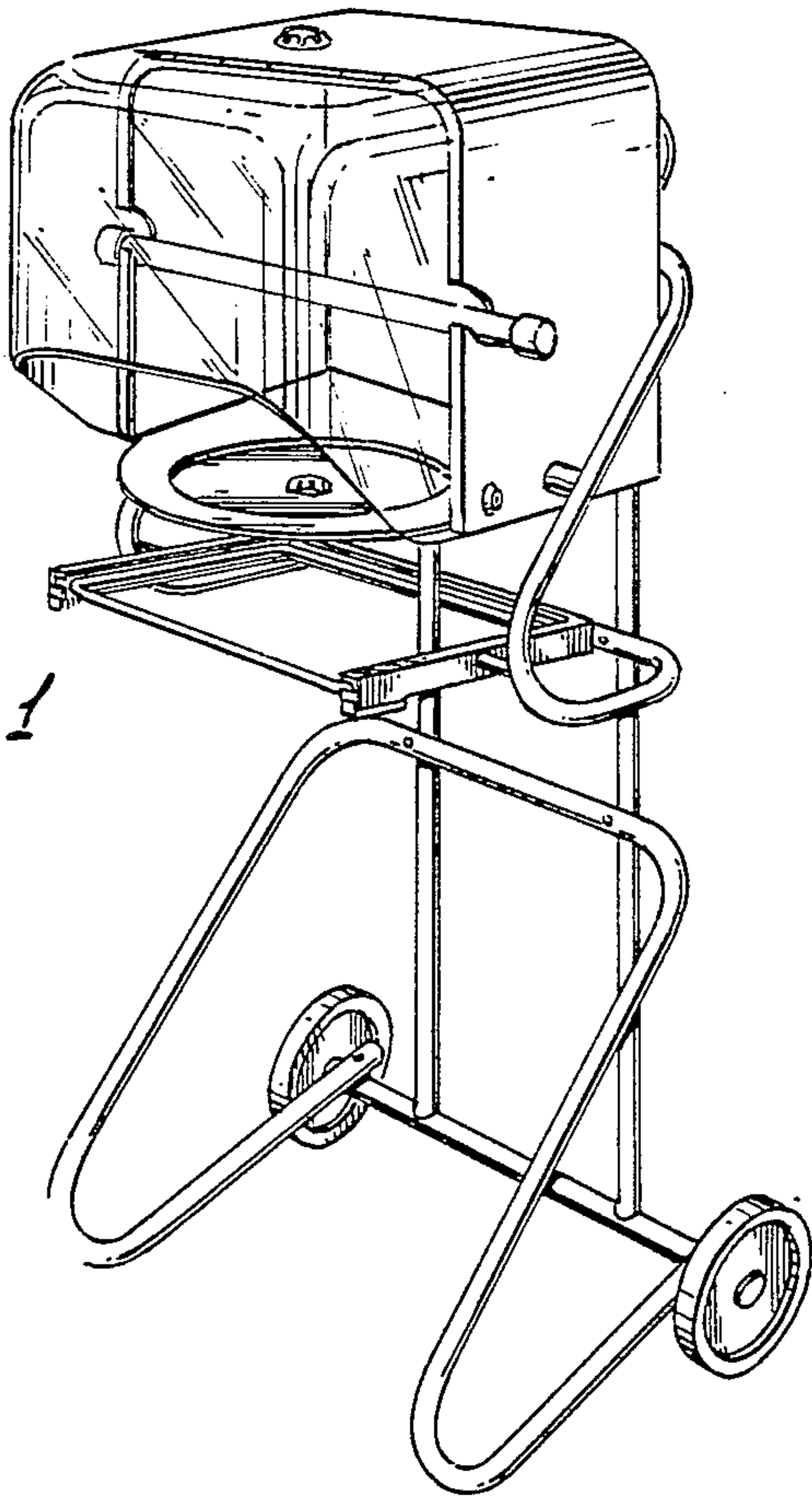


FIG. 2

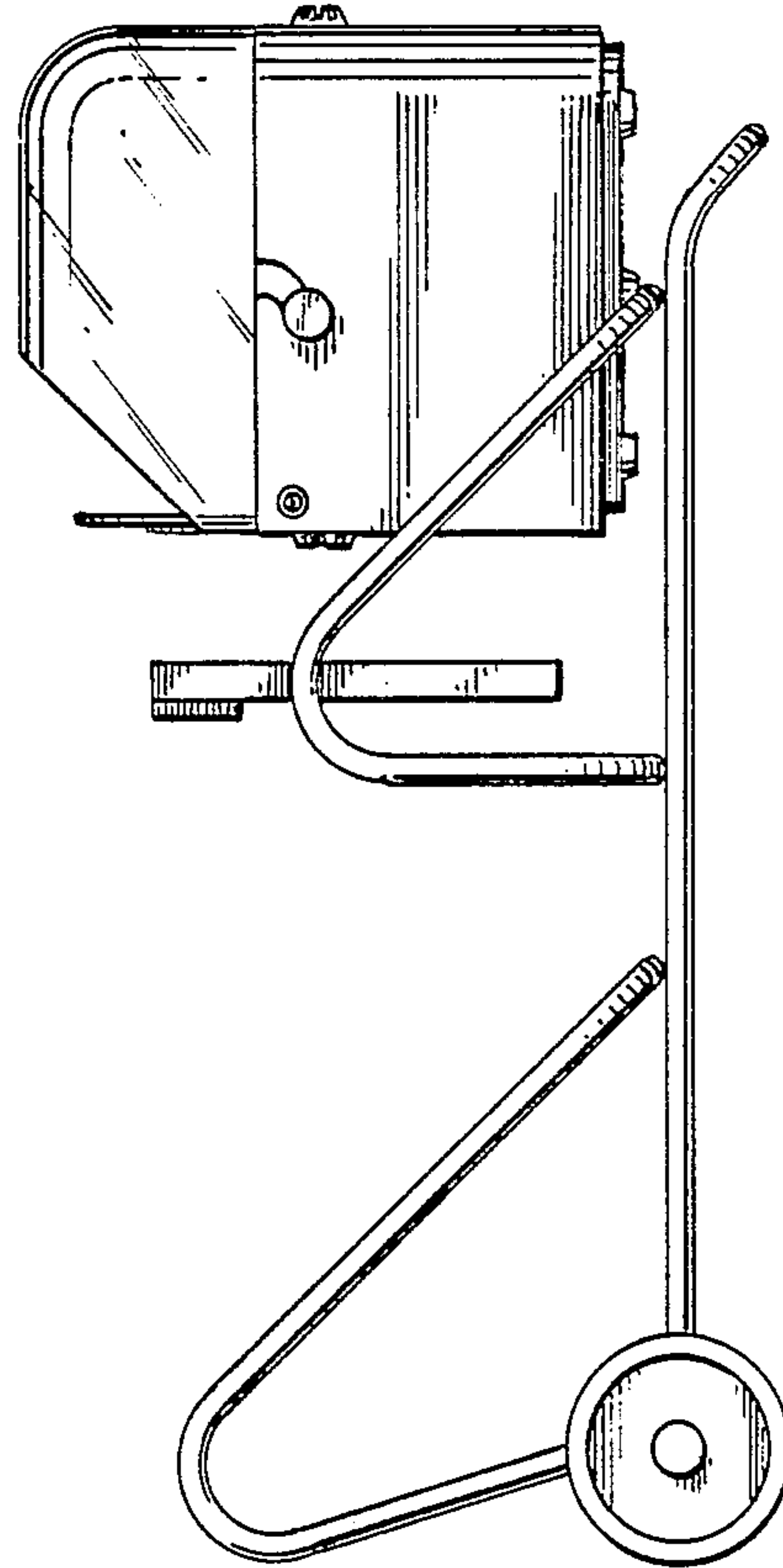


FIG. 3

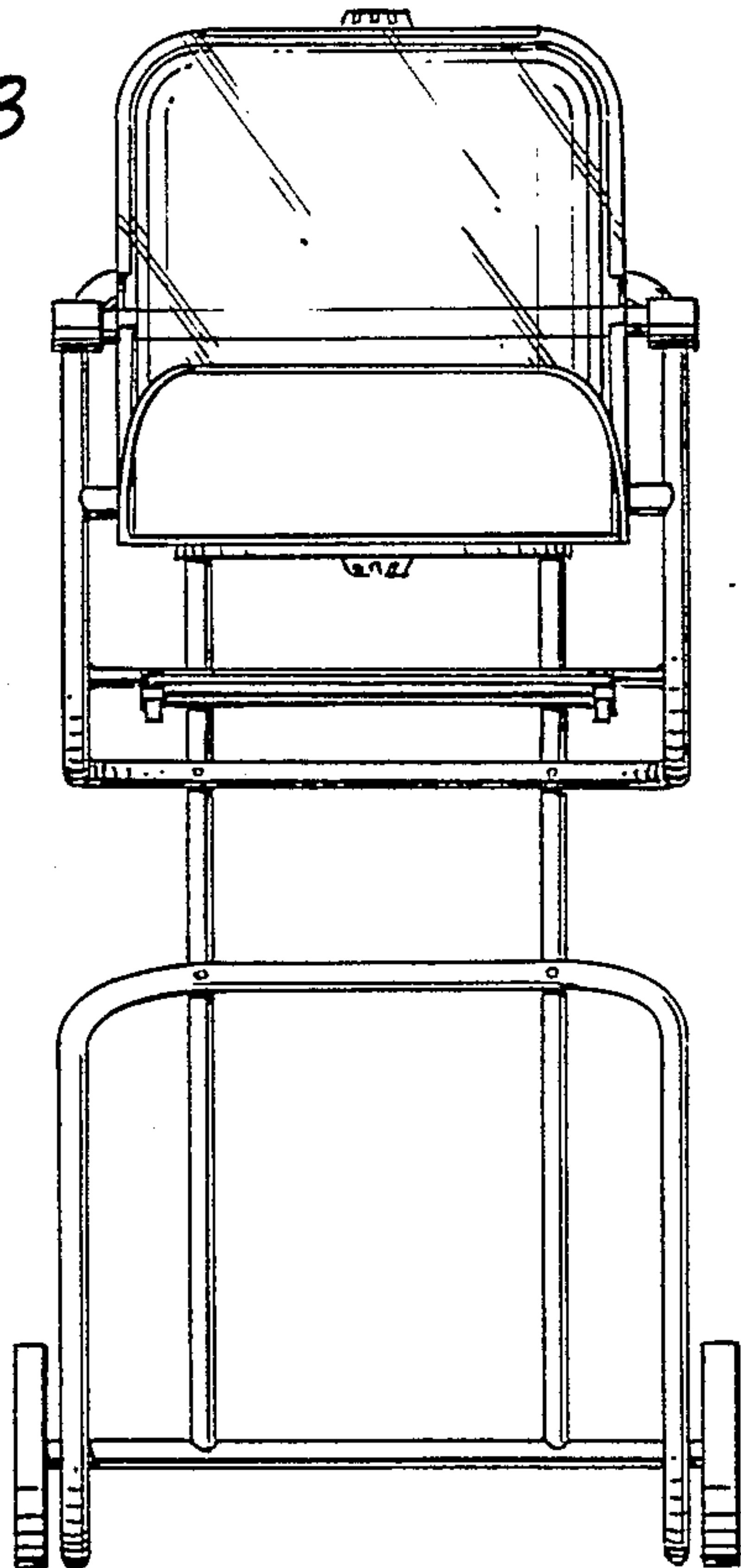


FIG. 4

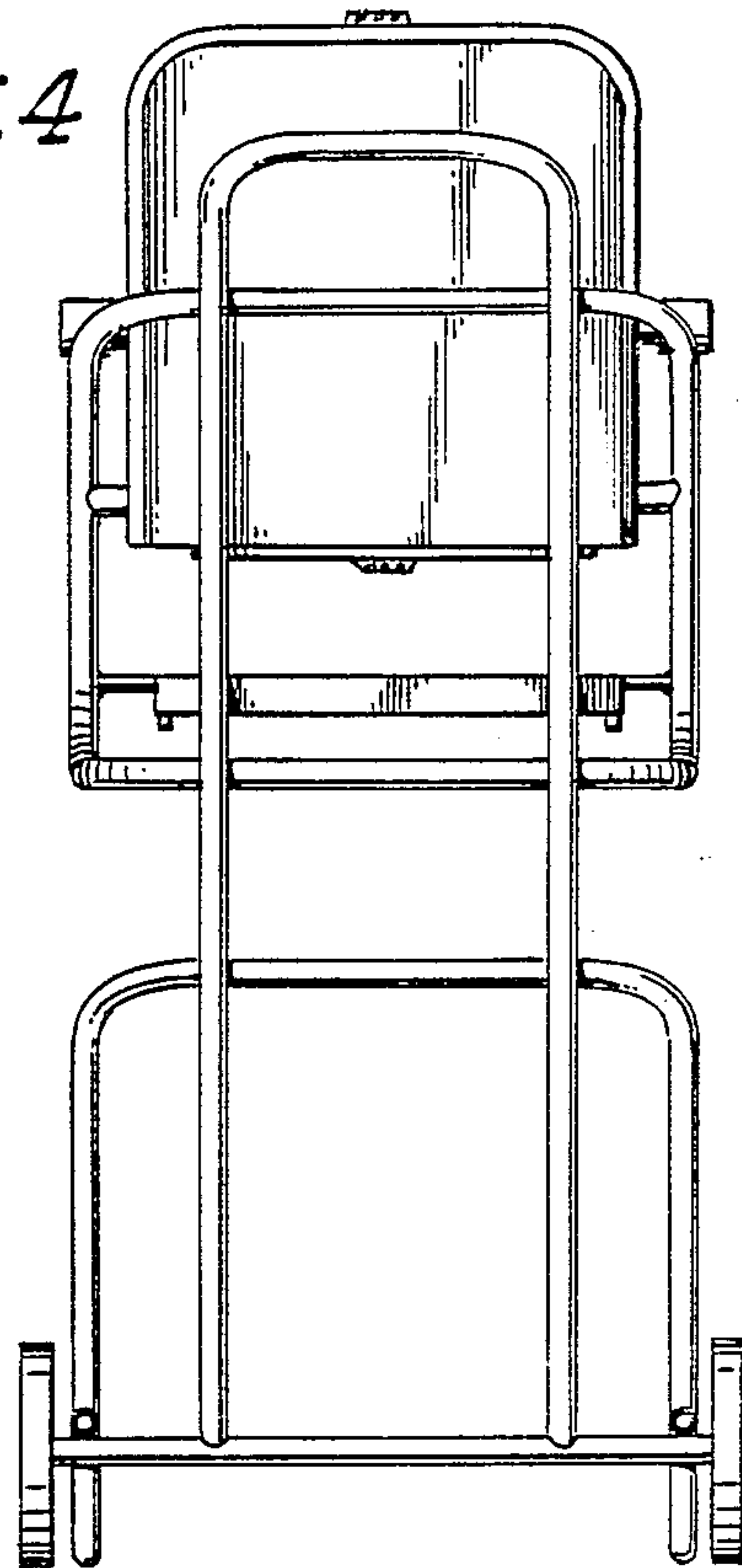


FIG. 5

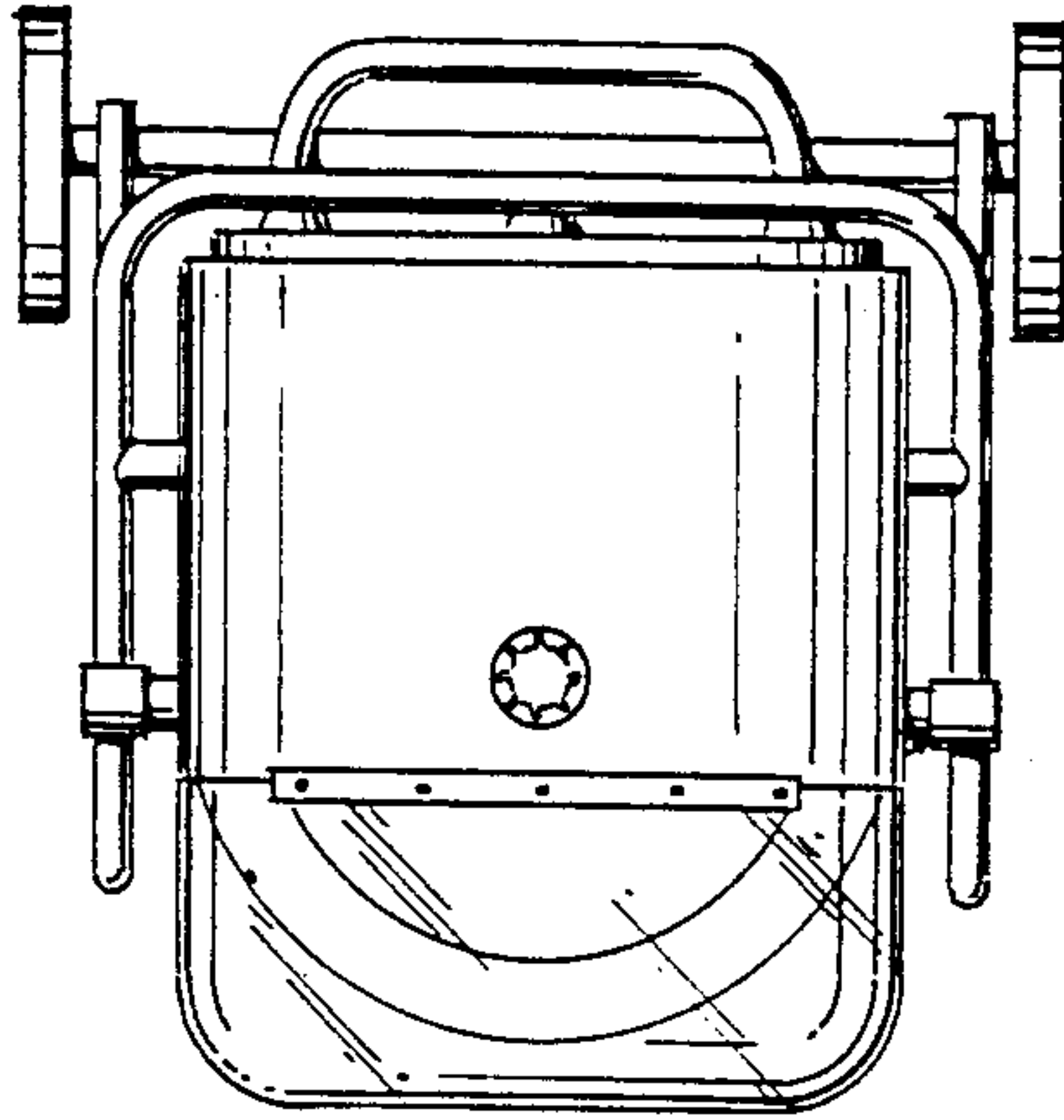


FIG. 6

