

United States Patent [19]

Hughes et al.

[11] Patent Number: **Des. 293,145**

[45] Date of Patent: **** Dec. 8, 1987**

[54] **KNOCKDOWN DRYING RACK FOR SHOES AND GLOVES**

[76] Inventors: **Leland G. Hughes; Jacqueline S. Hughes**, both of 31929 Owl Rd., Eugene, Oreg. 97405

[**] Term: **14 Years**

[21] Appl. No.: **752,961**

[22] Filed: **Jul. 8, 1985**

[52] U.S. Cl. **D32/58**

[58] Field of Search **D32/58; D20/10; D2/378.1; 211/34, 37, 38; 34/103, 104**

[56] **References Cited**

U.S. PATENT DOCUMENTS

D. 244,419 5/1977 Anderson **D32/58**

3,587,865 6/1971 Phillips 211/37
3,589,522 6/1971 Chiodo 211/34
3,730,354 5/1973 Bronstein 211/38

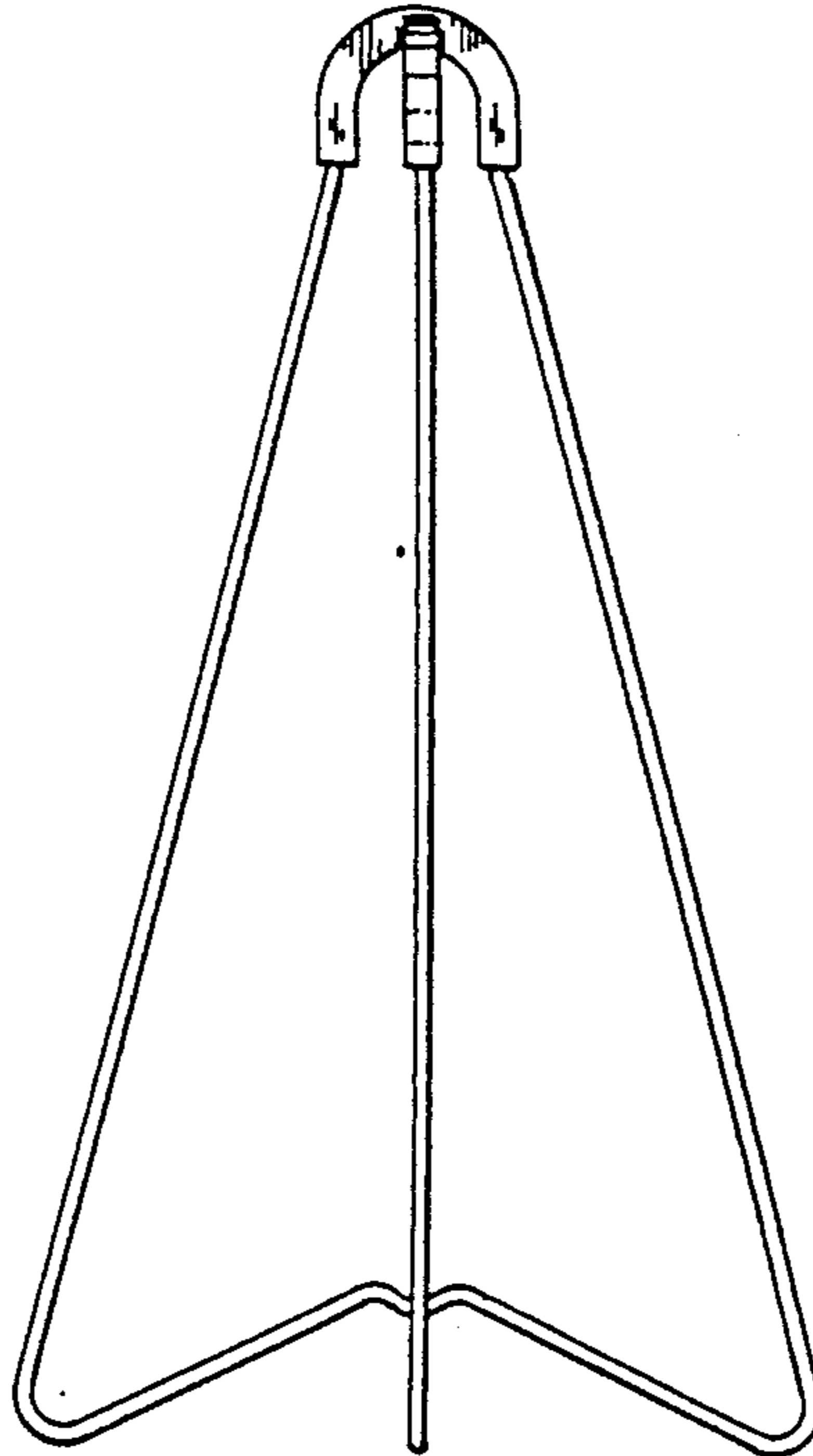
Primary Examiner—Catherine E. Kemper
Attorney, Agent, or Firm—James D. Givnan

[57] **CLAIM**

The ornamental design for a knockdown drying rack for shoes and gloves, as shown and described.

DESCRIPTION

FIG. 1 is a front elevational view of a knockdown drying rack for shoes and gloves showing our new design; FIG. 2 is a side elevational view thereof taken from the right side of FIG. 1 with a left side elevational view being a mirror image of FIG. 2; FIG. 3 is a top plan view thereof, and FIG. 4 is a bottom plan view thereof.



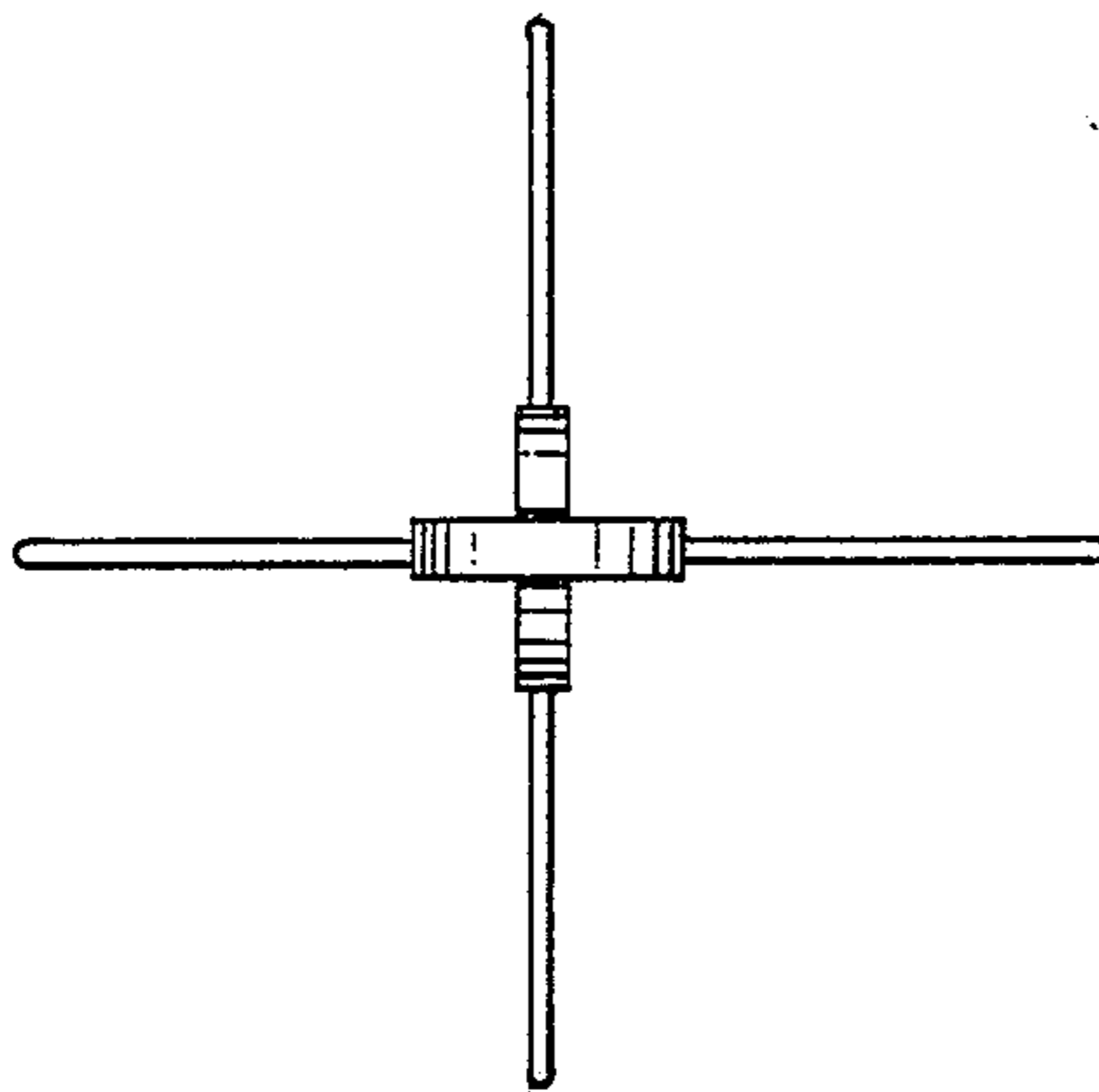
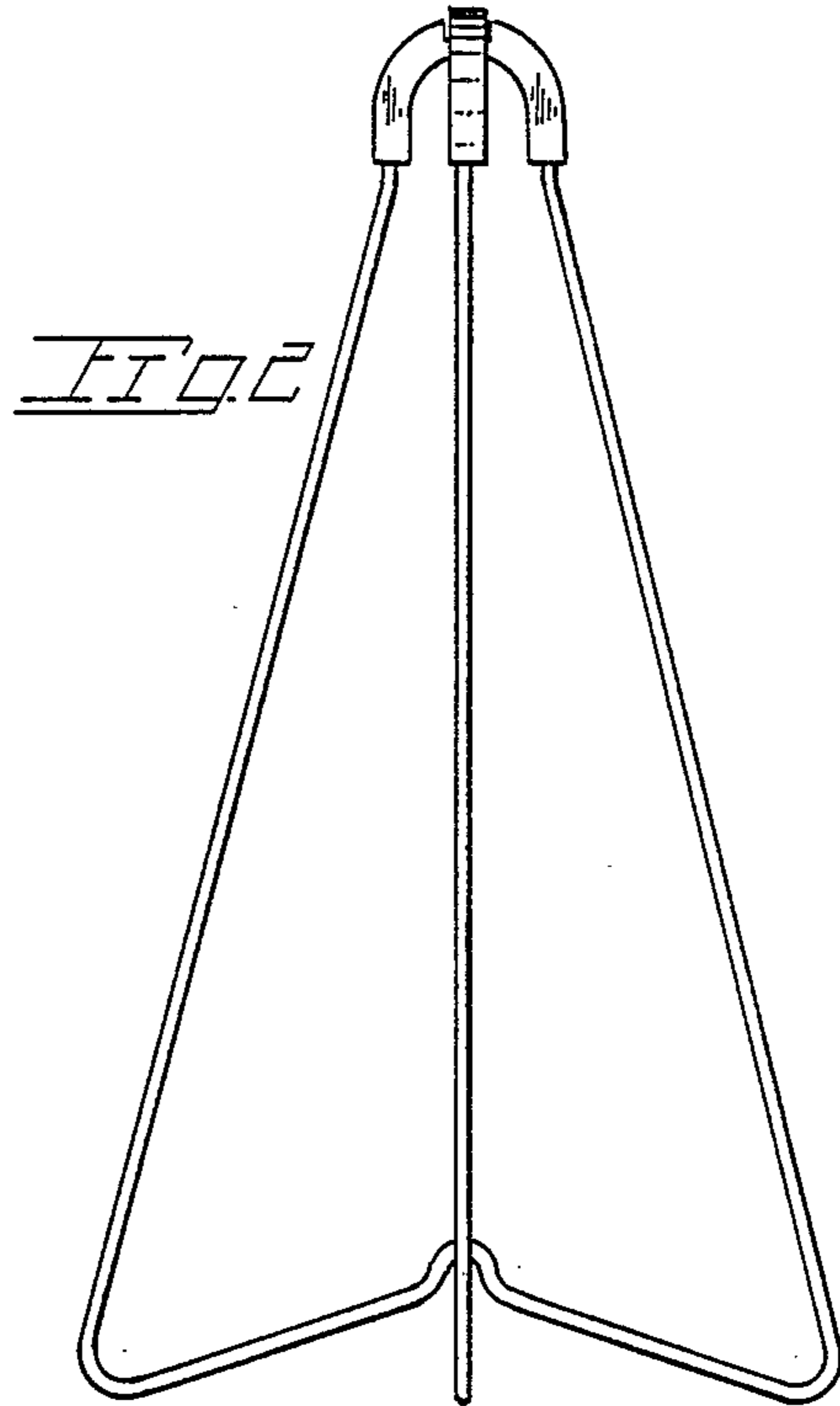
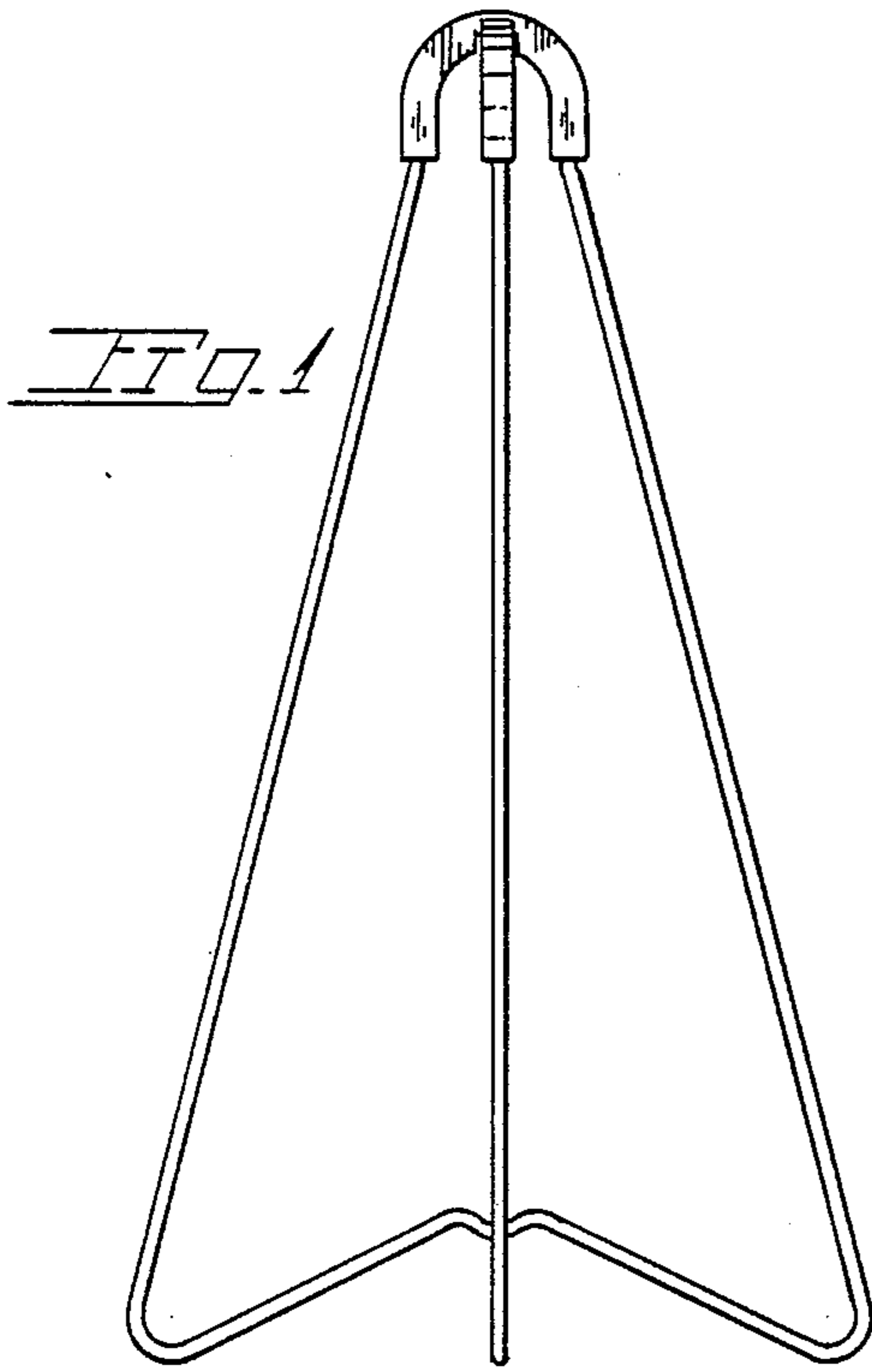


FIG. 3

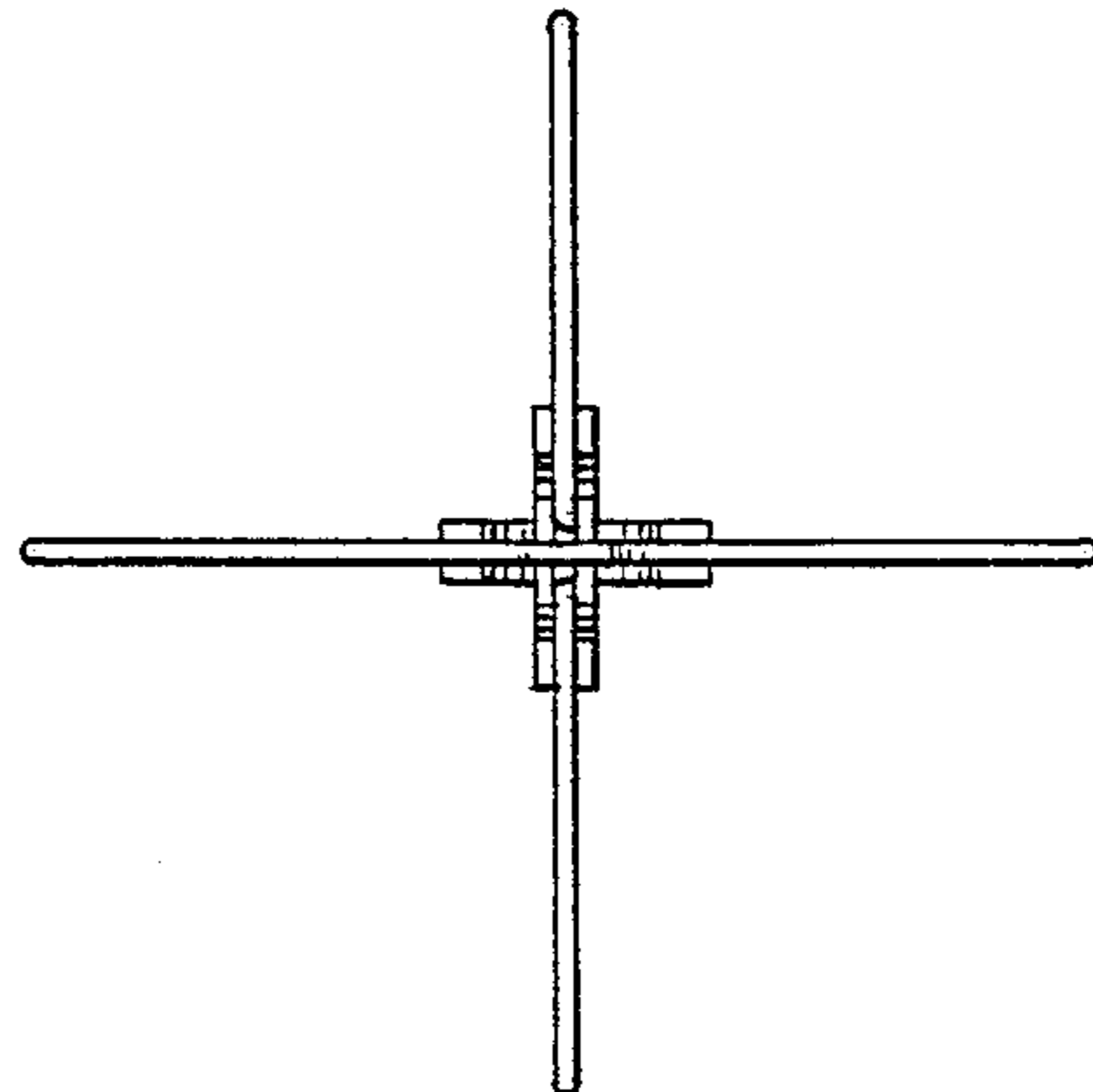


FIG. 4