

United States Patent [19]

Papke et al.

[11] Patent Number: Des. 293,144

[45] Date of Patent: ** Dec. 8, 1987

[54] PAINT CONTAINER AND COVER THEREFOR

[76] Inventors: Helmut H. Papke, 125 Lincoln Road, Waterloo, Ontario, Canada, N2J 2N9; Siegfried E. Arndt, R.R. #1, Moorefield, Ontario, Canada, N0G 2K0; Dieter W. Arndt, 40 Manley Street, Ayr, Ontario, Canada, N0B 1E0; Claus D. Krueger, 199 King Street, St. Jacobs, Ontario, Canada, N0B 2N0

[**] Term: 14 Years

[21] Appl. No.: 685,044

[22] Filed: Dec. 21, 1984

[30] Foreign Application Priority Data

Jun. 27, 1984 [CA] Canada 27-06-84-11

[52] U.S. Cl. D32/53.1

[58] Field of Search D32/53.1; 15/257.06

[56] References Cited

U.S. PATENT DOCUMENTS

D. 186,195	9/1959	Cole	D32/53.1
D. 212,563	10/1968	Tidwell	D32/53.1
3,514,012	5/1970	Martin	15/257.06 X
3,850,298	11/1974	Jolly	15/257.06 X
3,940,824	3/1976	Gioia et al.	15/257.06
4,547,926	10/1985	Kern	15/257.06

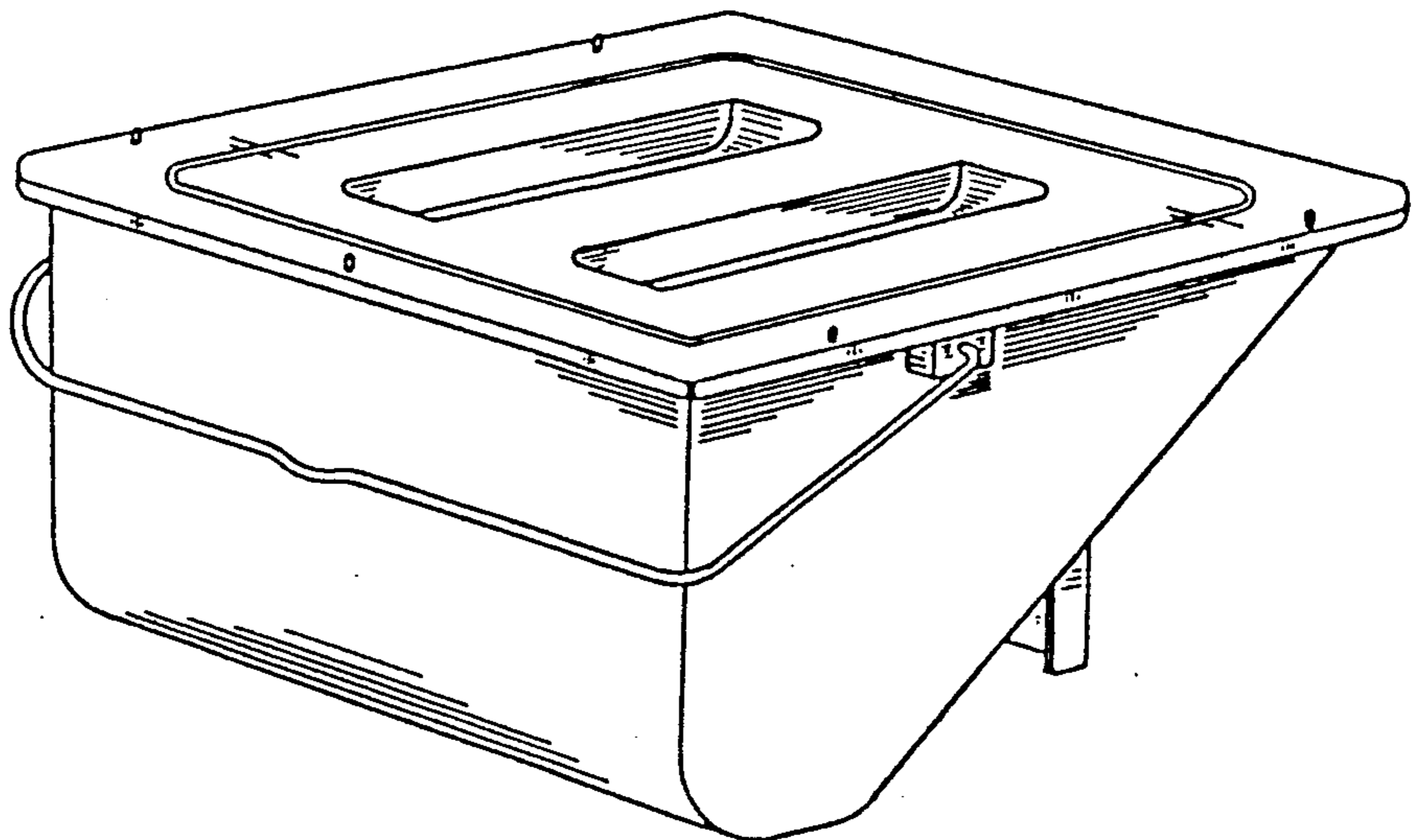
Primary Examiner—Catherine E. Kemper
Attorney, Agent, or Firm—Daryl W. Schnurr

[57] CLAIM

The ornamental design for a paint container and cover therefor, as shown and described.

DESCRIPTION

FIG. 1 is a top perspective view of a paint container and cover therefor, showing our new design;
FIG. 2 is a bottom perspective view thereof;
FIG. 3 is a side elevational view of the paint container with the cover removed;
FIG. 4 is a top plan view of the paint container with the cover removed; and
FIG. 5 is a front elevational view of the paint container with the cover removed.



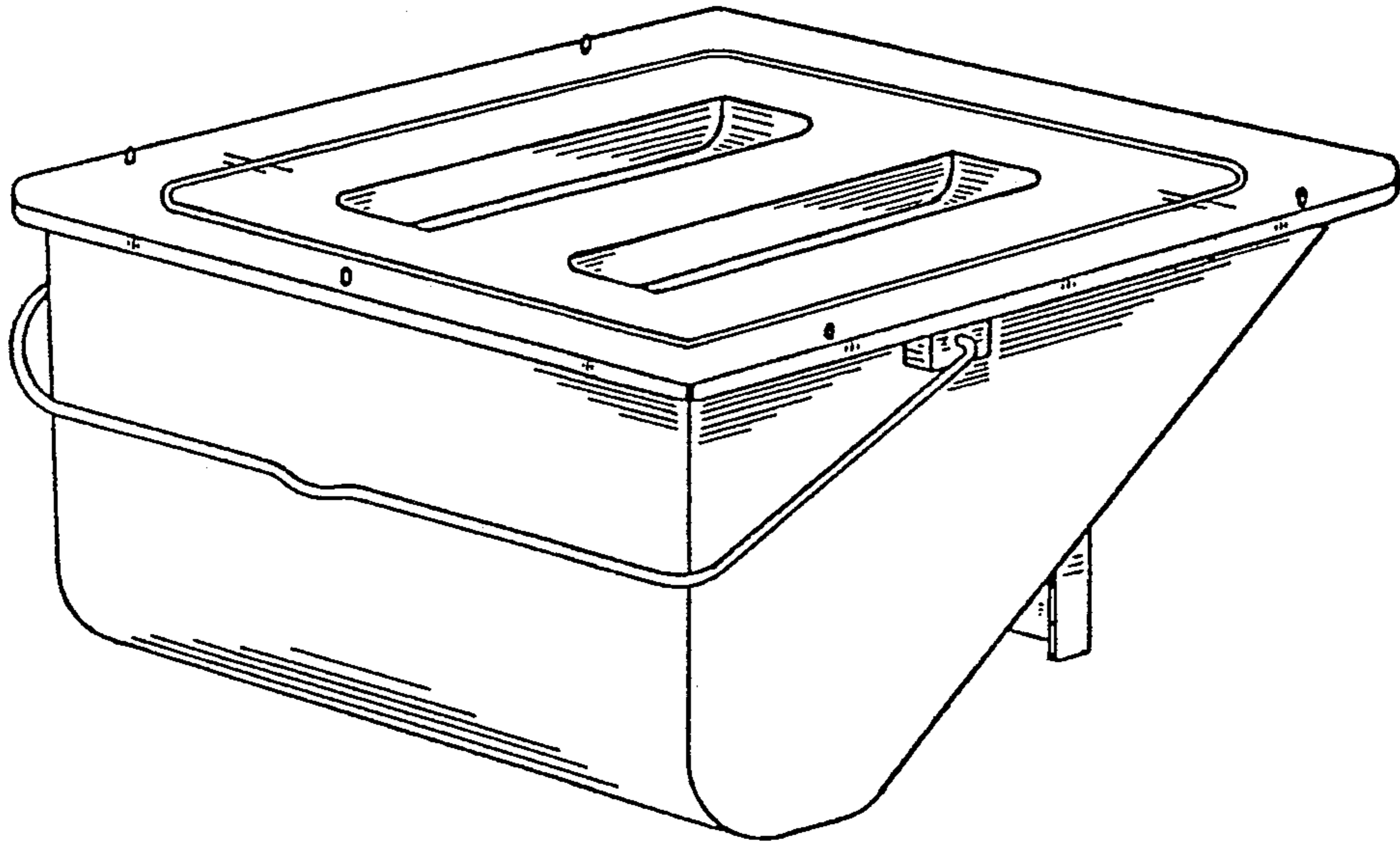


FIGURE 1

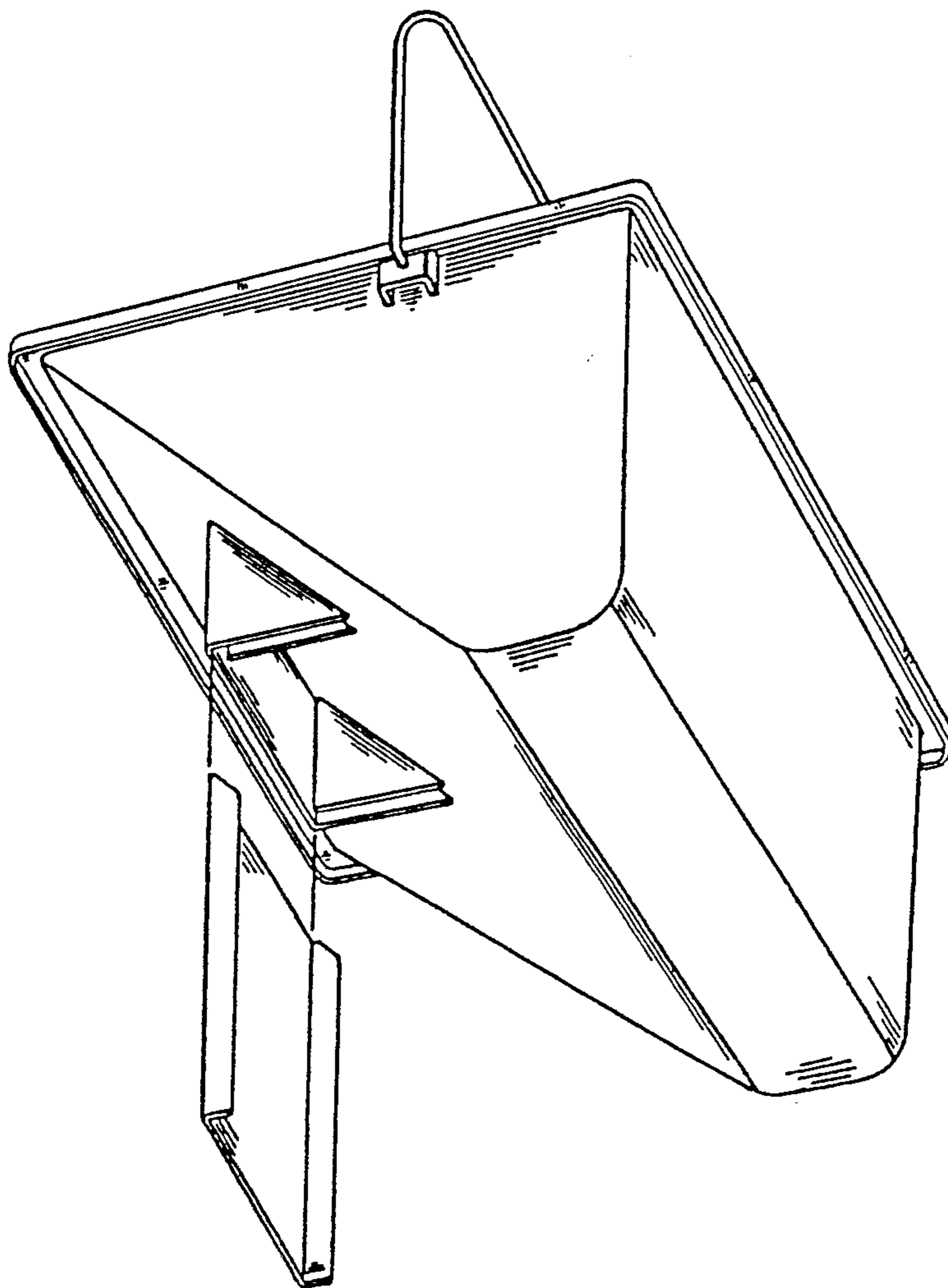


FIGURE 2

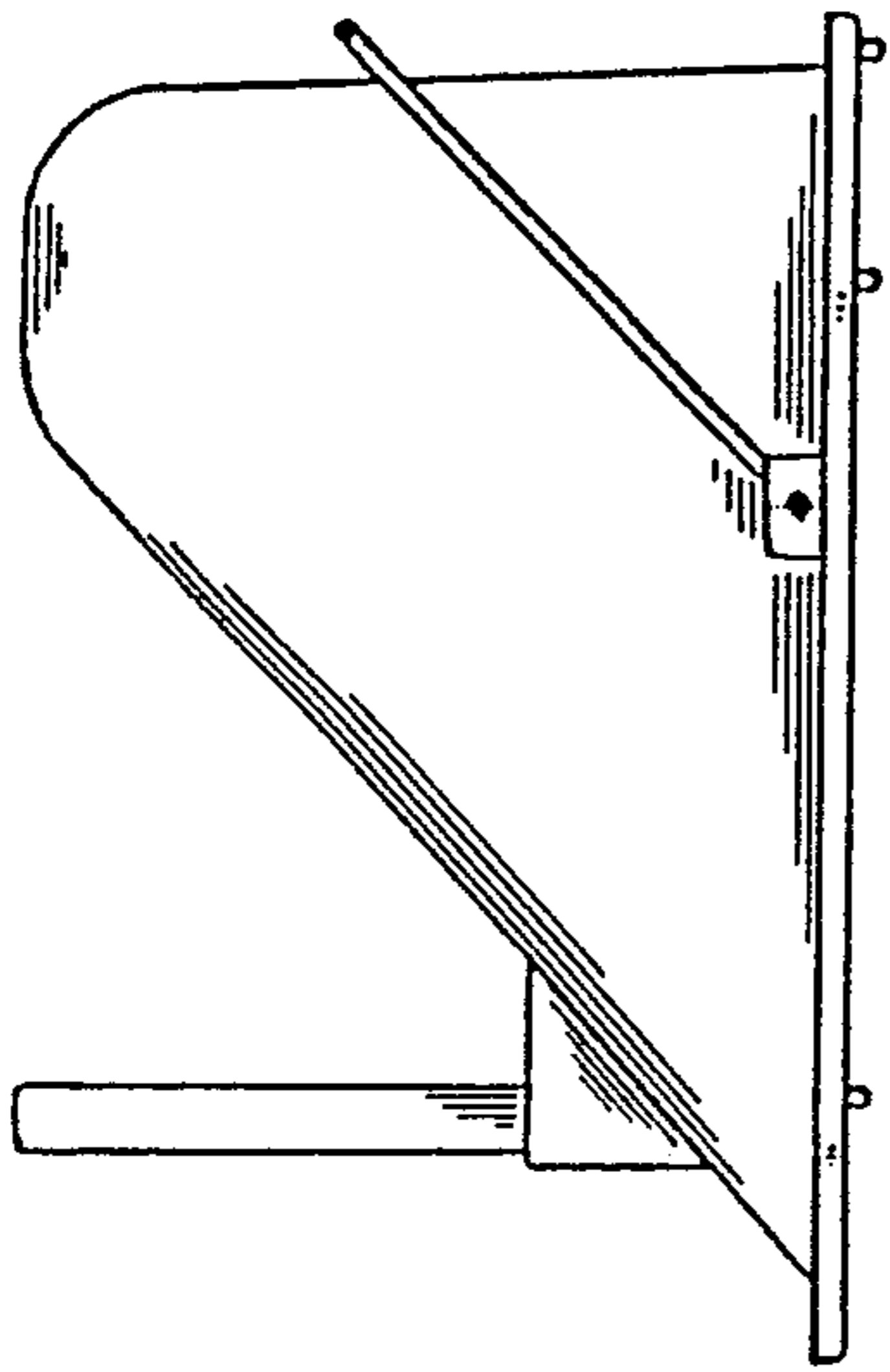


FIGURE 3

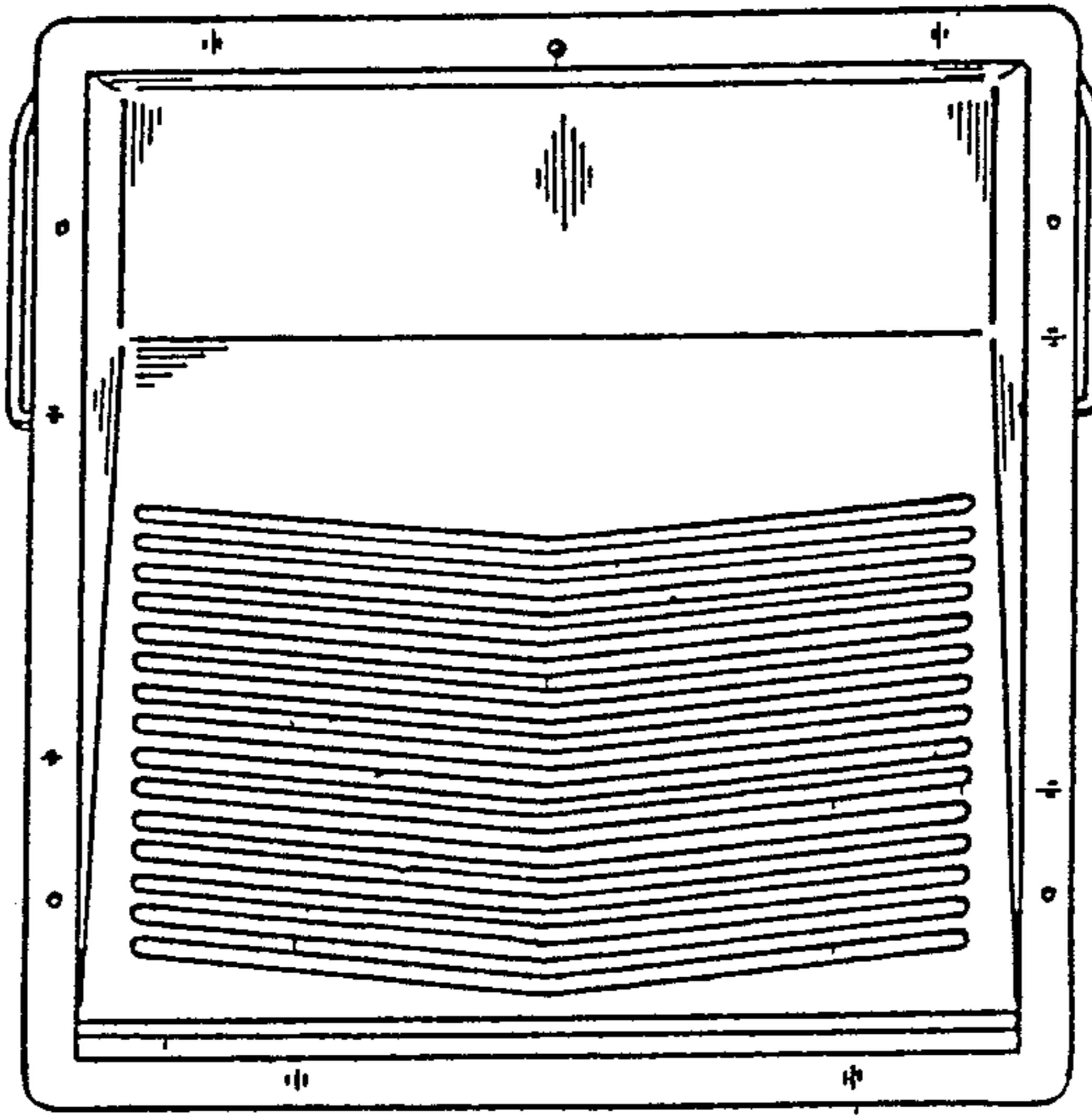


FIGURE 4

FIGURE 5

