

United States Patent [19]

Medema et al.

[11] Patent Number: Des. 293,135

[45] Date of Patent: ** Dec. 8, 1987

[54] DESK LAMP

[75] Inventors: Douglas J. Medema, Pompano, Fla.;
Donald J. Staufenberg, Hudsonville;
James O. Kelley, Spring Lake, both
of Mich.

[73] Assignee: Herman Miller, Inc., Zeeland, Mich.

[**] Term: 14 Years

[21] Appl. No.: 727,279

[22] Filed: Apr. 25, 1985

[52] U.S. Cl. D26/61

[58] Field of Search D26/60-66;
362/410, 411, 413, 414, 418, 427, 269, 275, 396

[56] References Cited

U.S. PATENT DOCUMENTS

D. 206,952	2/1967	Fletcher .	
D. 274,473	6/1984	de Boer	D26/60
D. 281,357	11/1985	Gismondi	D26/63
641,748	1/1900	Smith .	
649,544	5/1900	Morse .	
713,832	11/1902	Bailey .	
3,319,914	5/1967	Chiappetta, Jr. .	
3,638,012	1/1972	Lenz et al. .	
4,306,280	12/1981	Burke .	
4,432,042	2/1983	Zeller .	
4,449,172	5/1984	Warshawsky .	

4,470,106 9/1984 Norton .

OTHER PUBLICATIONS

Abitare, 9-1983, p. 187, Lamp.
Thunder & Light Lamp Catalog, 1982, p. 30, Snoker
Lamp, bottom.

Primary Examiner—Susan J. Lucas
Attorney, Agent, or Firm—Varnum, Riddering, Schmidt
& Howlett

[57] CLAIM

The ornamental design for a desk lamp, as shown and
described.

DESCRIPTION

FIG. 1 is a front perspective view of a desk lamp show-
ing my new design;

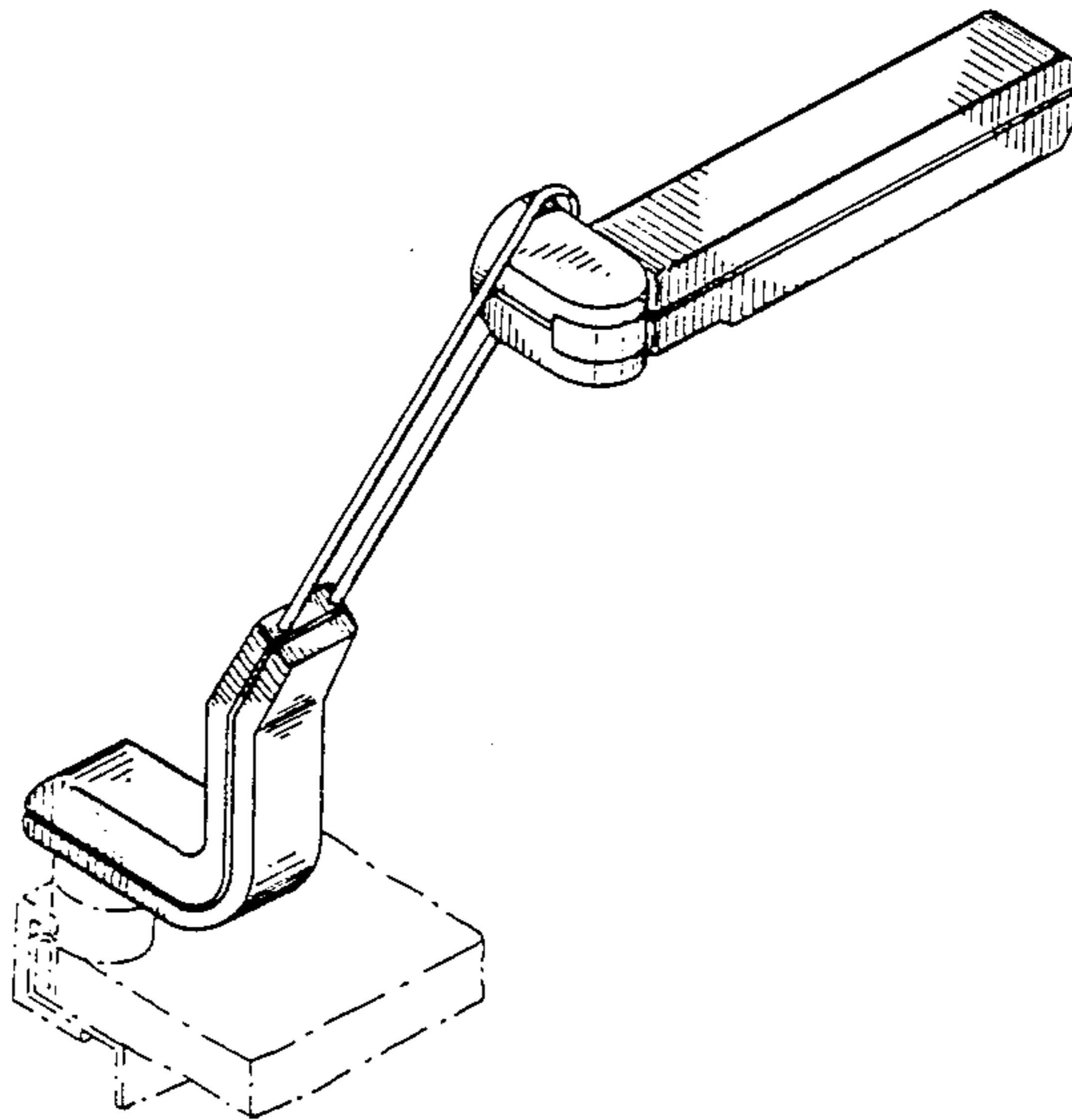
FIG. 2 is a front elevational view thereof on an enlarged
scale;

FIG. 3 is a left side elevational view thereof on an en-
larged scale;

FIG. 4 is a top plan view thereof on an enlarged scale;
and

FIG. 5 is a bottom perspective view thereof on an en-
larged scale.

The broken lines are shown for illustrative purposes
only. The supporting rods are broken away for conve-
nience of illustration.



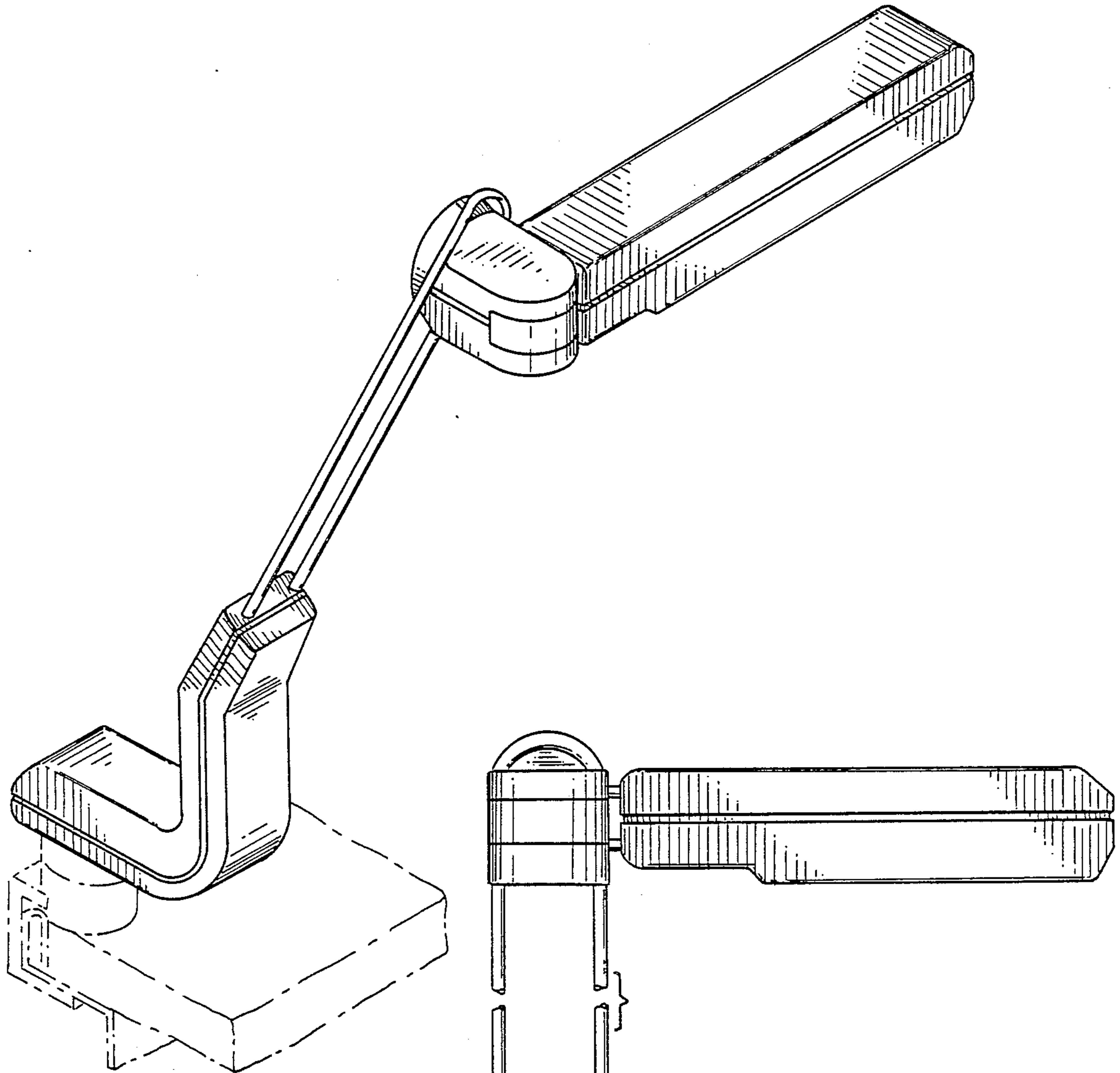


FIG. 1

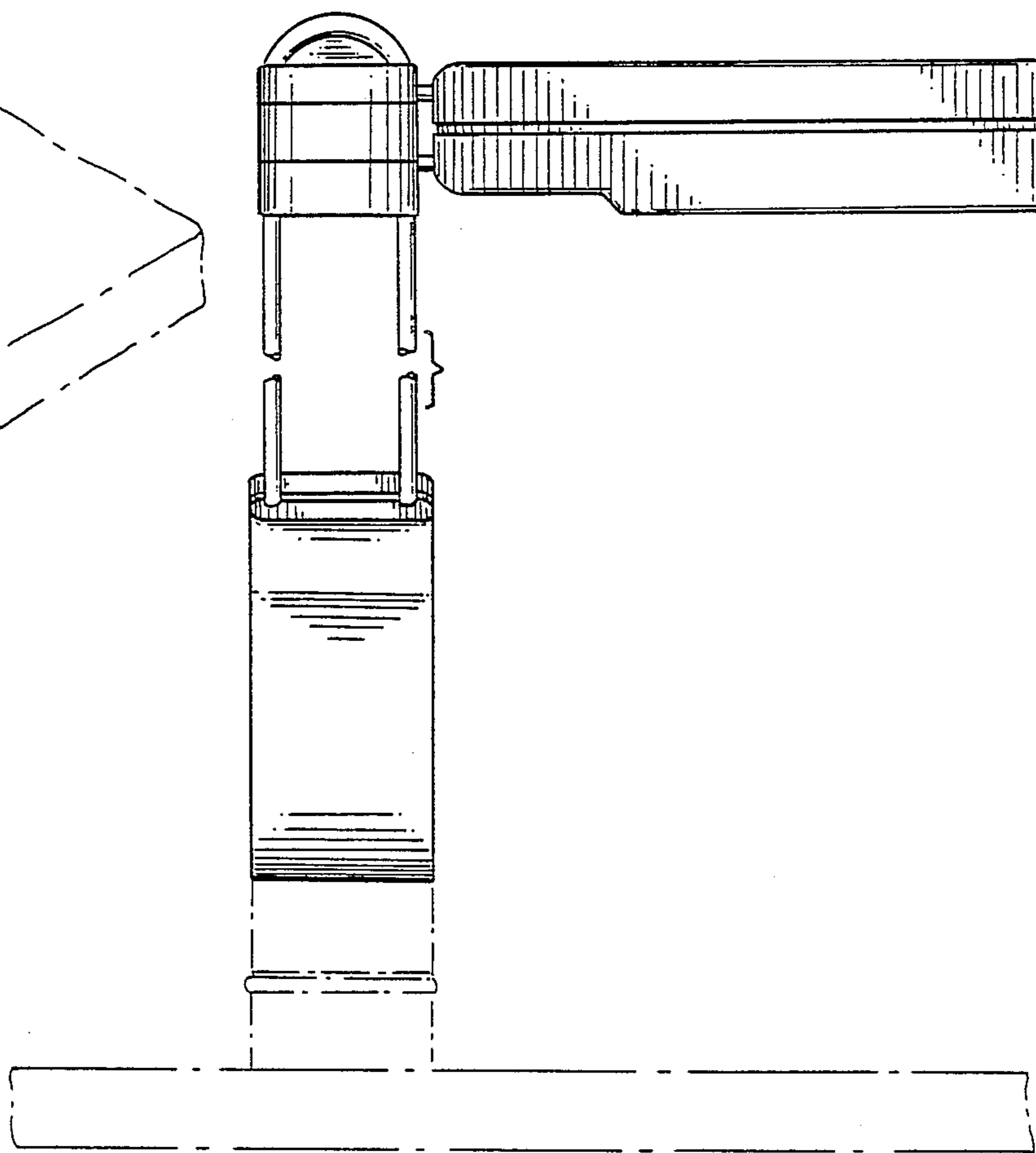


FIG. 2

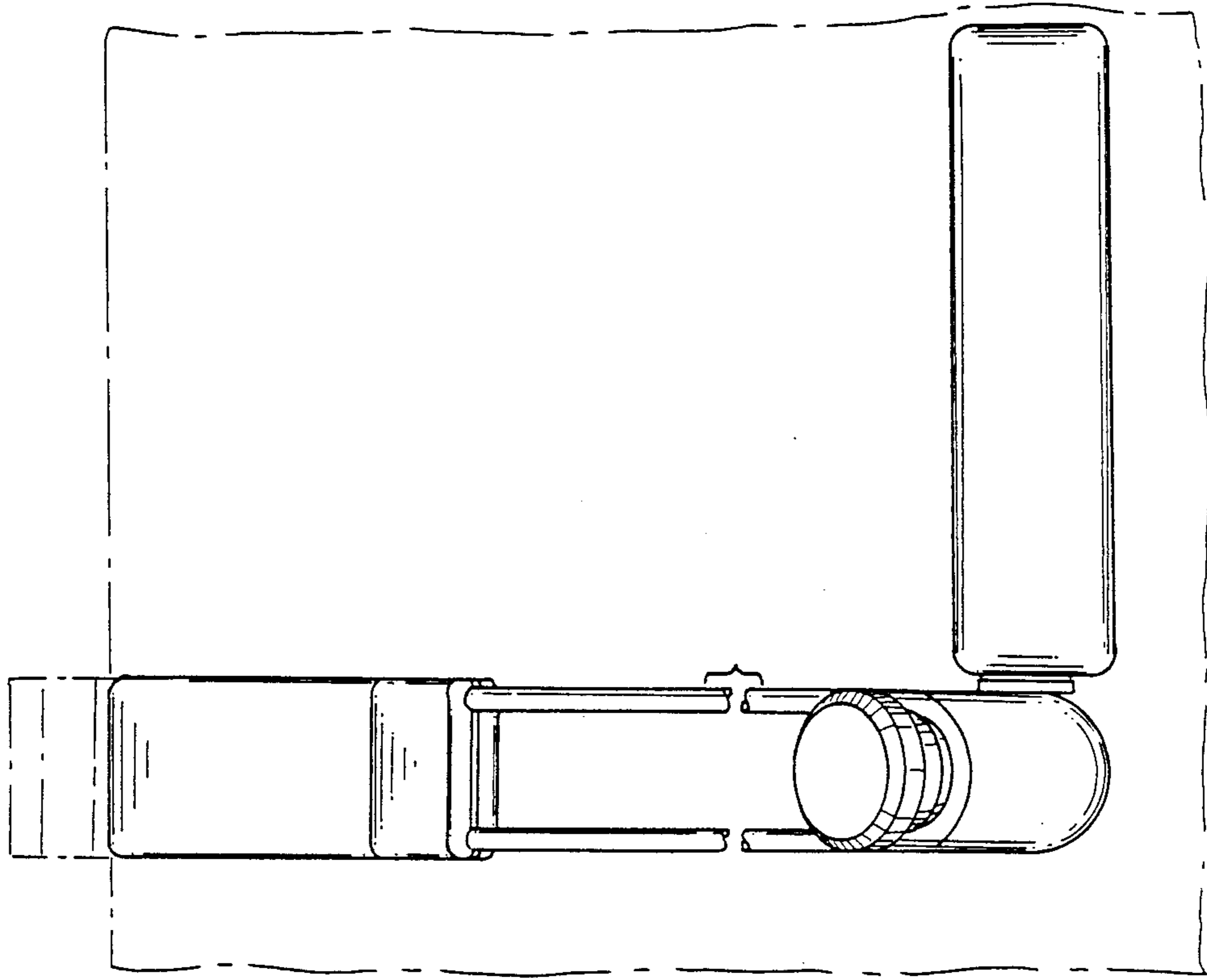


FIG. 4

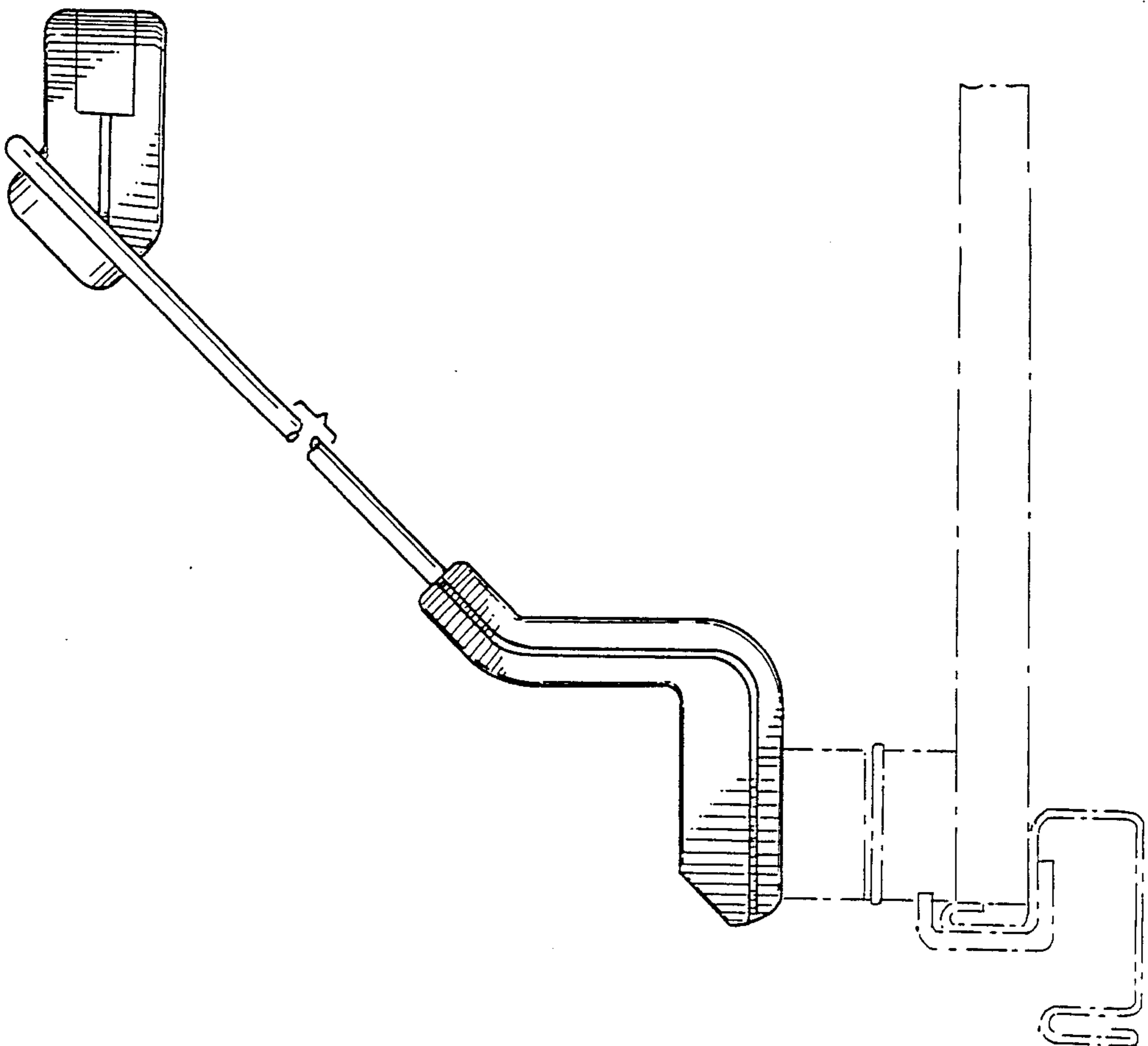


FIG. 3

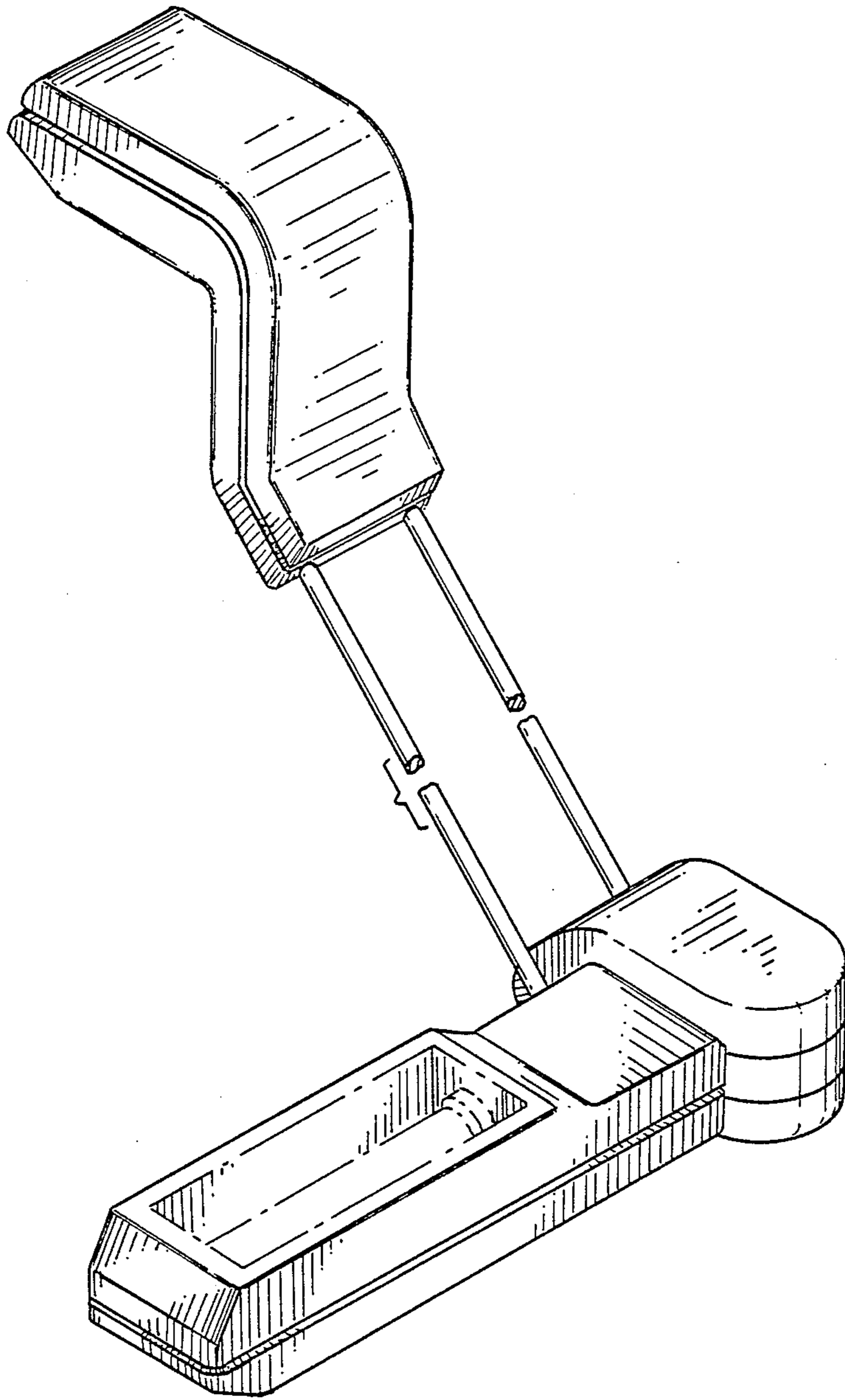


FIG. 5