

# United States Patent [19]

Ashie et al.

[11] Patent Number: Des. 293,130

[45] Date of Patent: \*\* Dec. 8, 1987

- [54] SUPPORT FLANGE FOR IV DRIP CHAMBER
- [75] Inventors: George Ashie; Donald L. Millerd, both of San Diego, Calif.
- [73] Assignee: IVAC Corporation, San Diego, Calif.
- [\*\*] Term: 14 Years
- [21] Appl. No.: 888,042
- [22] Filed: Jul. 18, 1986
- [52] U.S. Cl. .... D24/53
- [58] Field of Search ..... D24/52, 8, 53, 51; 604/65, 86, 135; 128/DIG. 12; 248/314; D8/373

[56] **References Cited**

**U.S. PATENT DOCUMENTS**

- |            |         |                |       |          |
|------------|---------|----------------|-------|----------|
| D. 222,957 | 2/1972  | Sato           | ..... | D24/8    |
| 3,163,176  | 12/1964 | Darling        | ..... | 604/65 X |
| 3,901,231  | 8/1975  | Olson          | ..... | 604/65   |
| 4,586,925  | 5/1986  | Carlson et al. | ..... | 604/251  |

*Primary Examiner*—A. Hugo Word  
*Assistant Examiner*—Stella M. Reid  
*Attorney, Agent, or Firm*—Fulwider Patton Reiber Lee & Utecht

[57] **CLAIM**

The ornamental design for a support flange for IV drip chamber, substantially as shown and described.

**DESCRIPTION**

FIG. 1 is a perspective view of a support flange for IV drip chamber showing our new design, the broken line portion of the IV drip chamber being shown for illustrative purposes only and forming no part of the claimed design;

FIG. 2 is a side elevational view thereof;

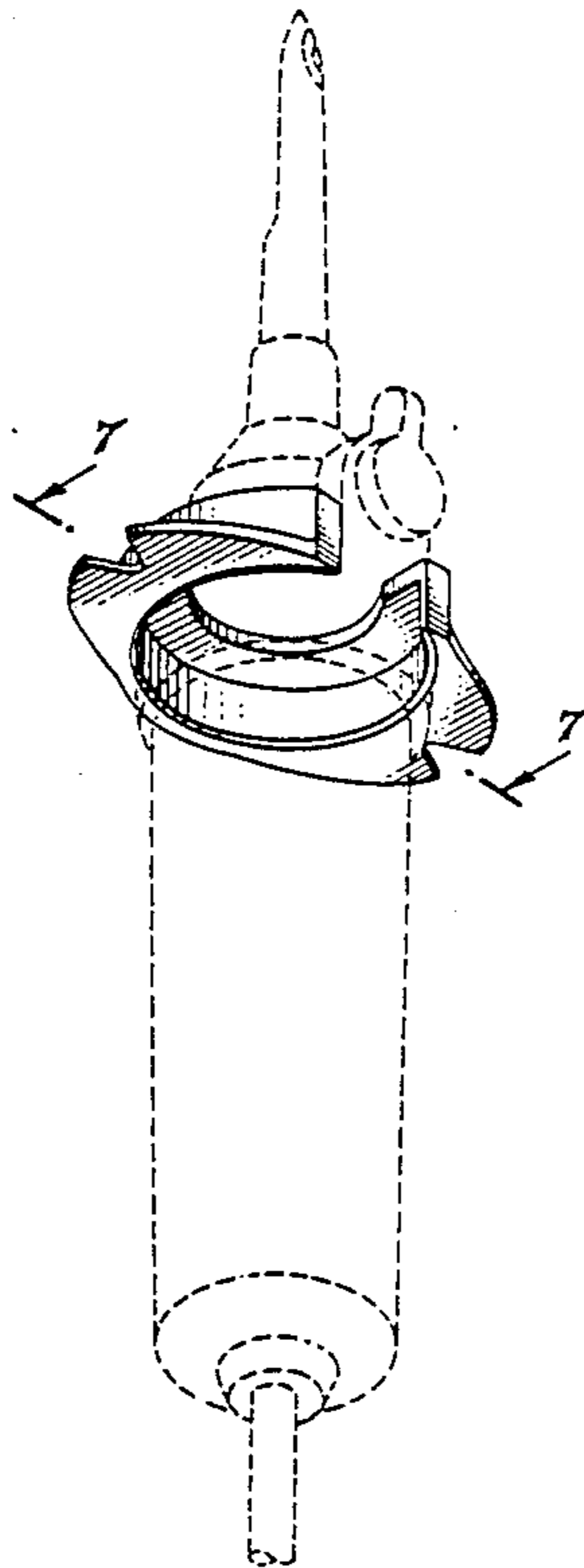
FIG. 3 is an end elevational view thereof;

FIG. 4 is a side elevational view thereof opposite that shown in FIG. 2;

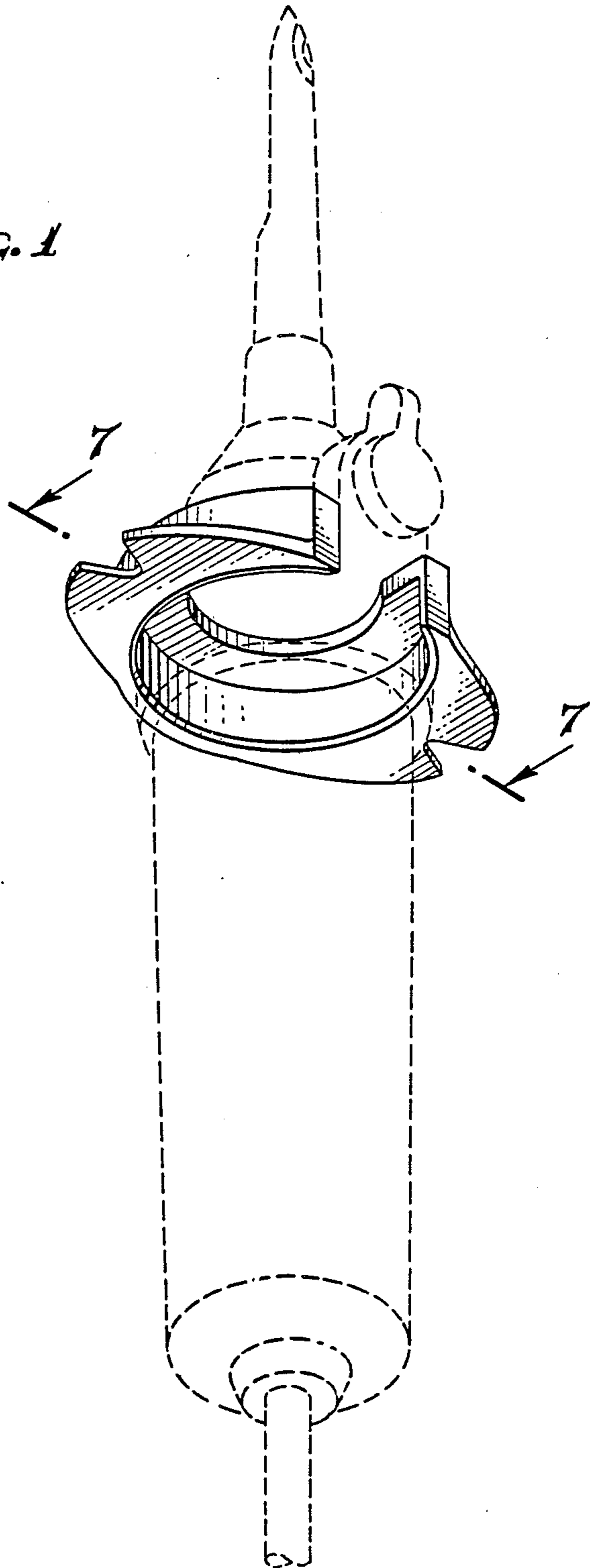
FIG. 5 is a top plan view thereof;

FIG. 6 is a bottom plan view thereof; and

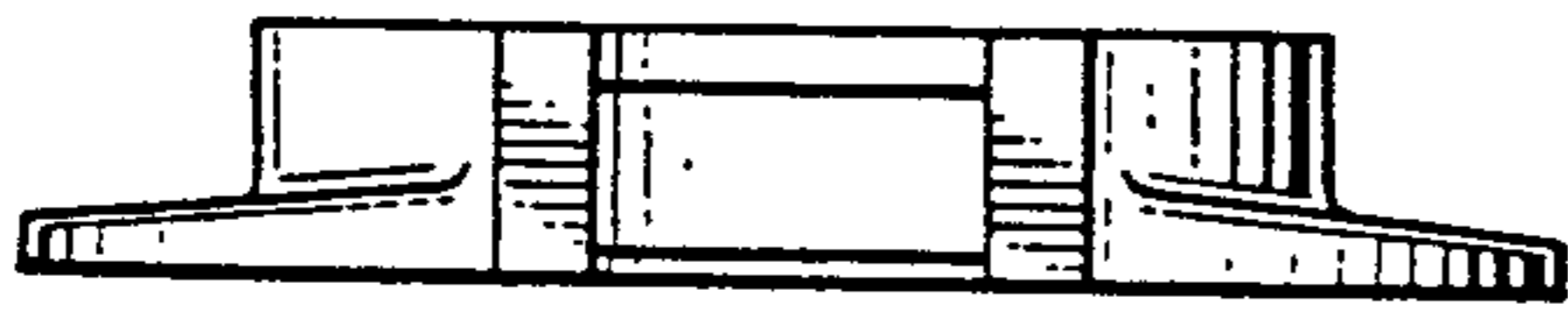
FIG. 7 is a sectional view thereof, taken on line 7—7 of FIG. 1.



*FIG. 1*



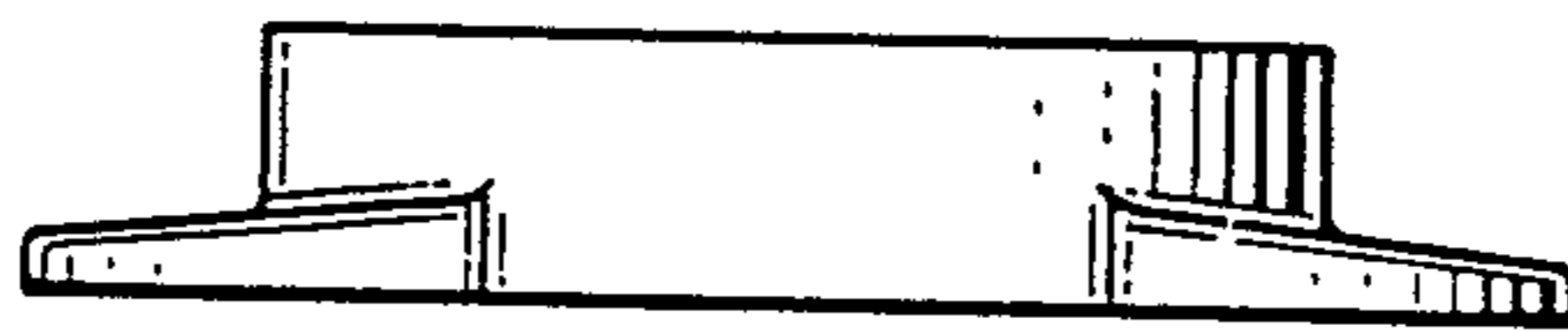
*FIG. 2*



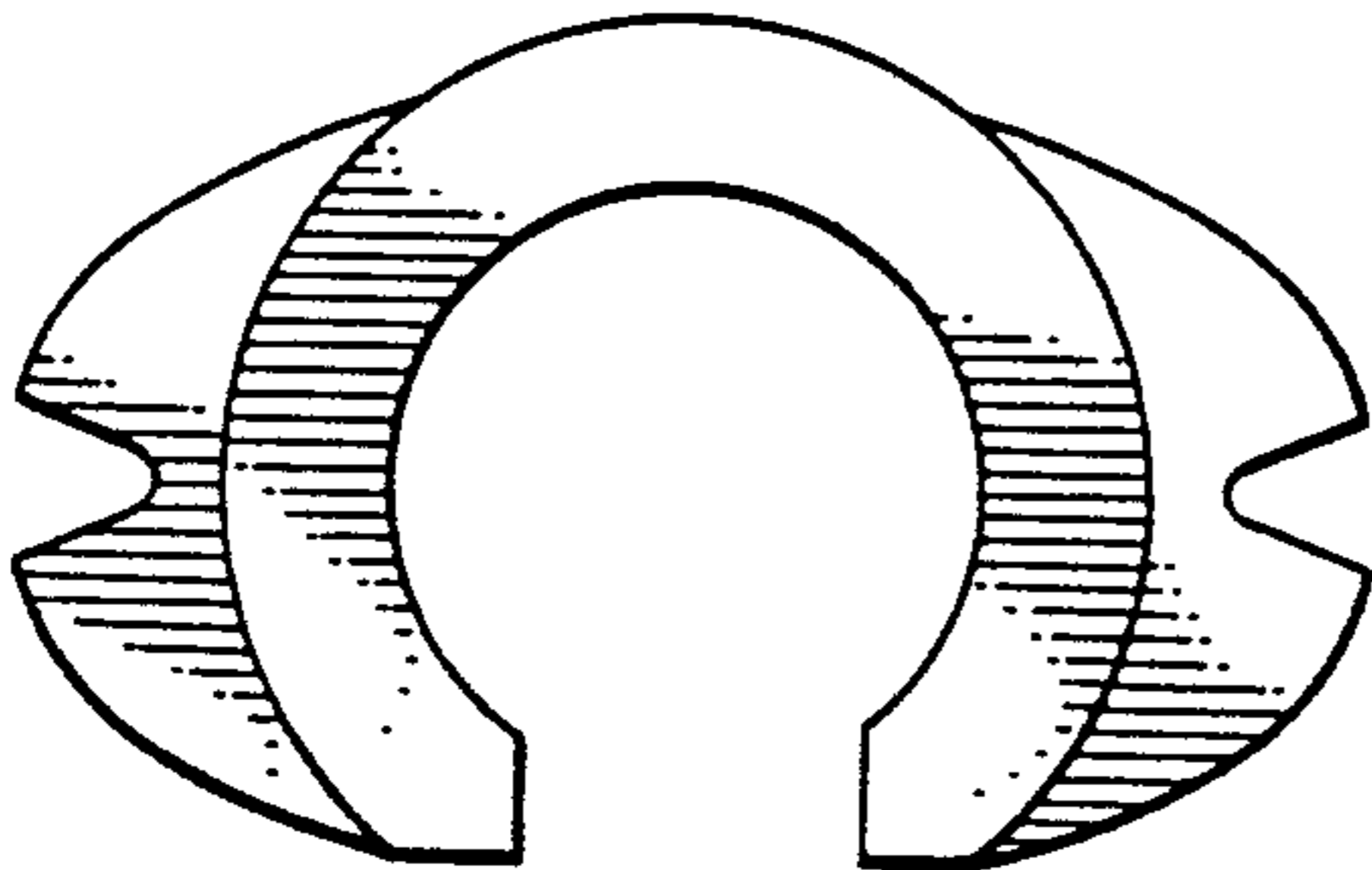
*FIG. 3*



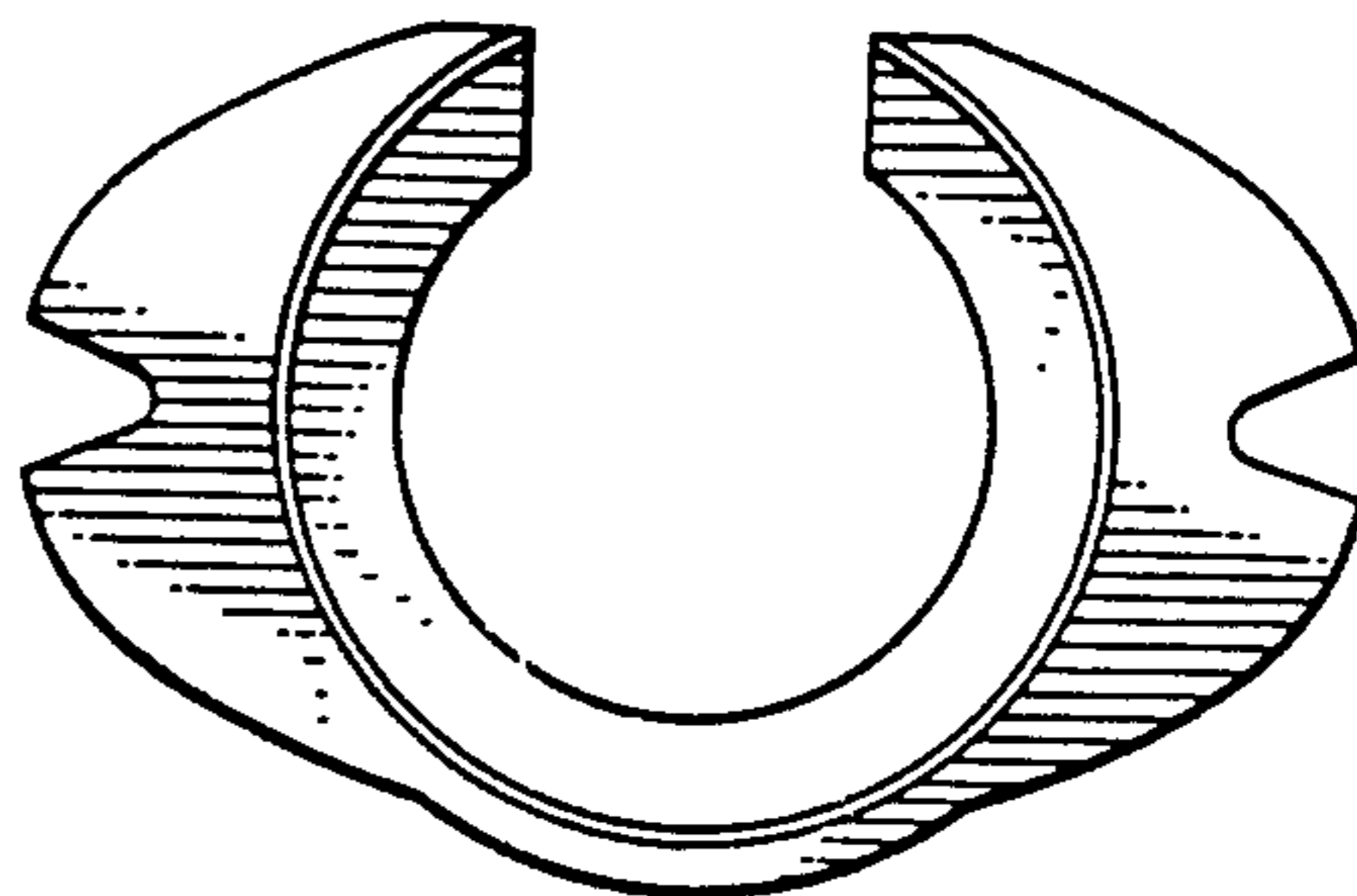
*FIG. 4*



*FIG. 5*



*FIG. 6*



*FIG. 7*

