

# United States Patent [19]

Millerd et al.

[11] Patent Number: Des. 293,129

[45] Date of Patent: \*\* Dec. 8, 1987

[54] DRUG DELIVERY VALVE FOR IV FLUID INFUSION SYSTEM

[75] Inventors: Donald L. Millerd; Robert S. Alpert; John E. Kling, all of San Diego, Calif.

[73] Assignee: IVAC Corporation, San Diego, Calif.

[\*\*] Term: 14 Years

[21] Appl. No.: 742,776

[22] Filed: Jun. 10, 1985

[52] U.S. Cl. .... D24/53; D24/51

[58] Field of Search ..... D24/8, 53, 52, 51, 24, D24/25; 604/80-85, 248, 246, 32, 411

[56] References Cited

U.S. PATENT DOCUMENTS

3,157,201	11/1964	Littmann	.....	604/32	X
3,957,082	5/1976	Fuson et al.	.....	604/80	X
4,219,021	8/1980	Fink	.....	604/248	X
4,604,093	8/1986	Brown et al.	.....	604/248	

Primary Examiner—A. Hugo Word  
Assistant Examiner—Stella M. Reid

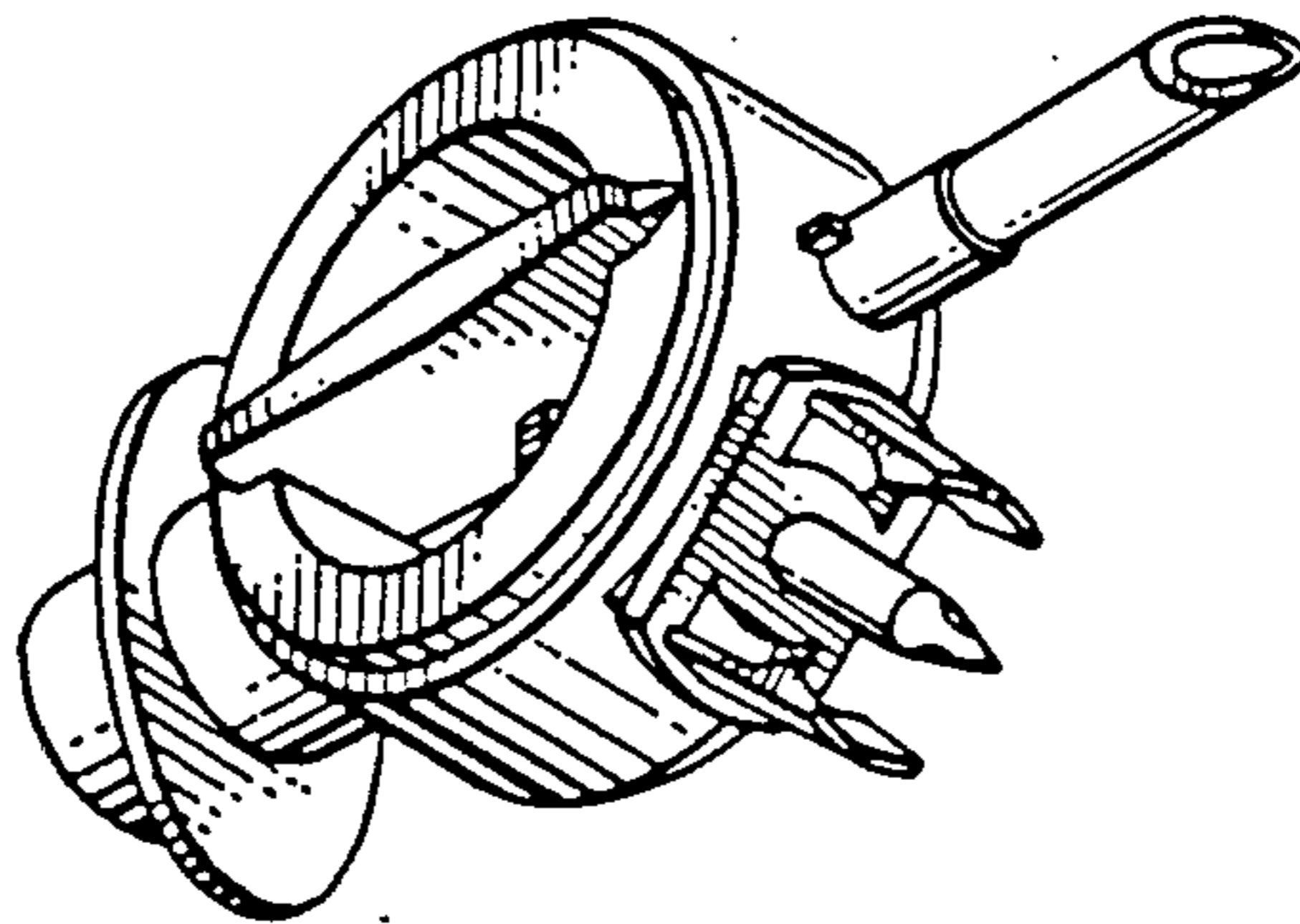
Attorney, Agent, or Firm—Fulwider Patton Reiber Lee & Utecht

[57] CLAIM

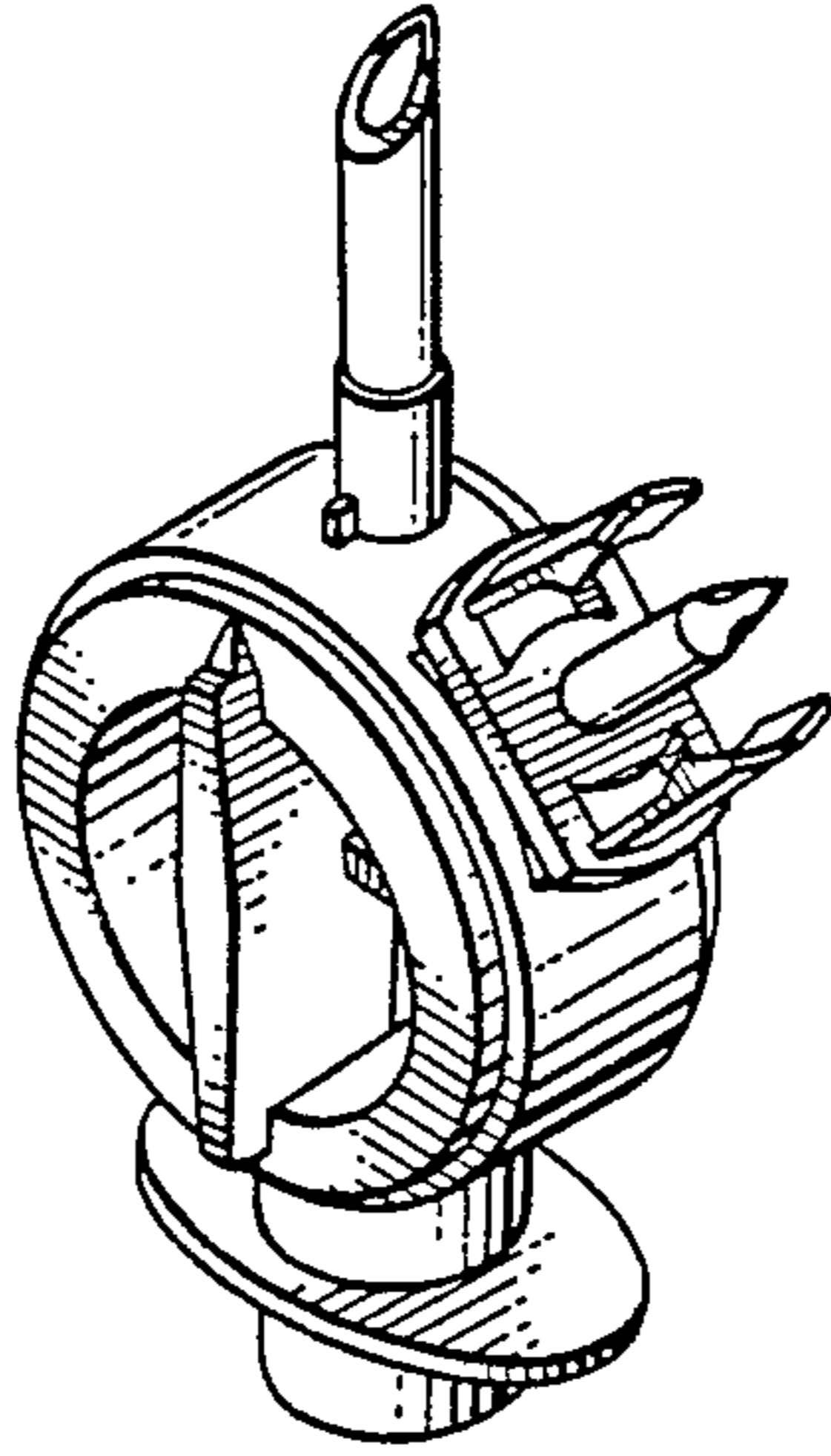
The ornamental design for a drug delivery valve for IV fluid infusion system, substantially as shown and described.

DESCRIPTION

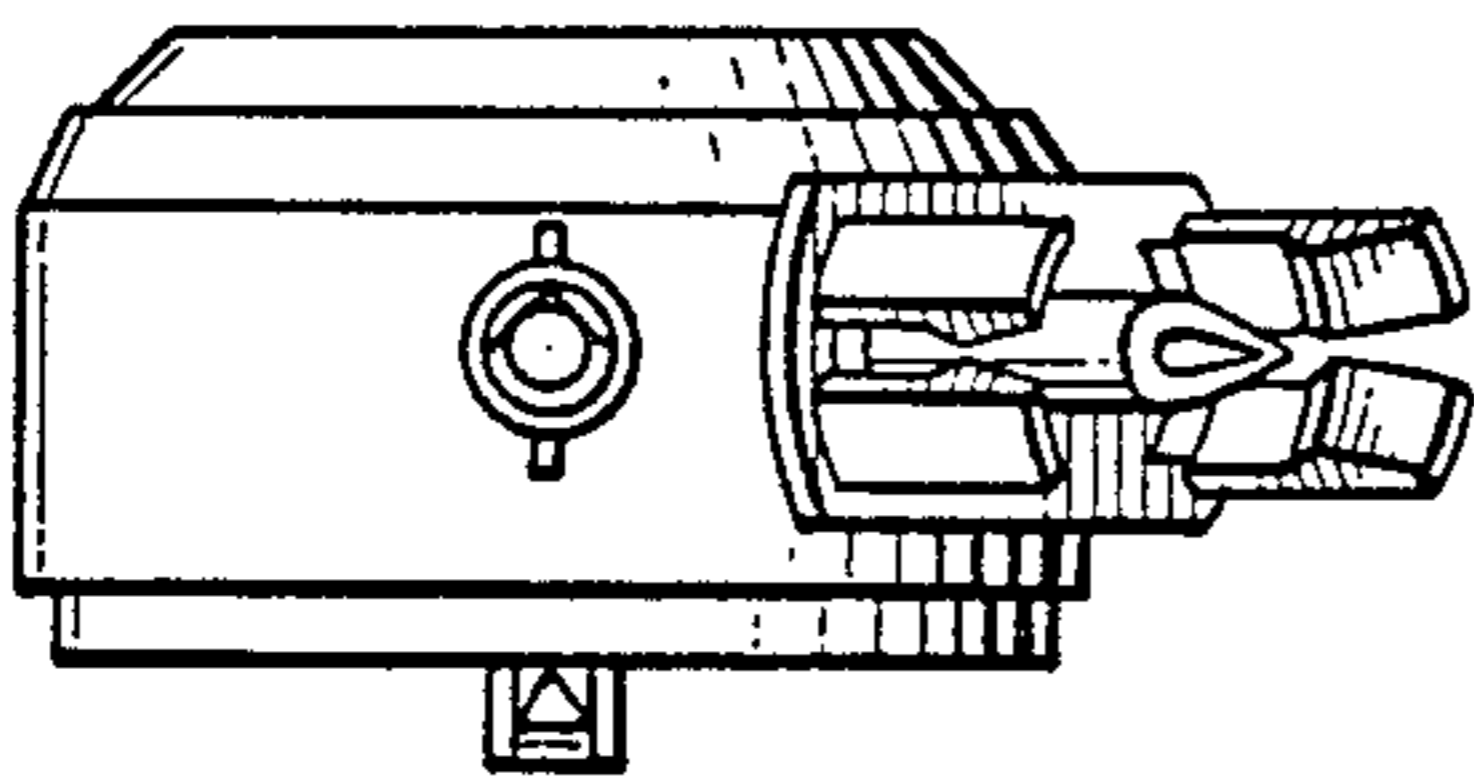
FIG. 1 is a perspective view taken from the front, top, and right sides of a drug delivery valve for IV fluid infusion system embodying our new design; FIG. 2 is a top plan view thereof; FIG. 3 is a bottom plan view thereof; FIG. 4 is a front elevational view thereof; FIG. 5 is a fragmented sectional view taken generally on the line 5—5 of FIG. 4; FIG. 6 is a right side elevational view thereof; FIG. 7 is a left side elevational view thereof; FIG. 8 is a rear elevational view thereof; FIG. 9 is a front elevational view illustrating an alternative form of the design; FIG. 10 is a fragmented sectional view taken generally on the line 10—10 of FIG. 9; and FIG. 11 is a perspective view taken from the top, front, and right sides of the alternative form of the design.



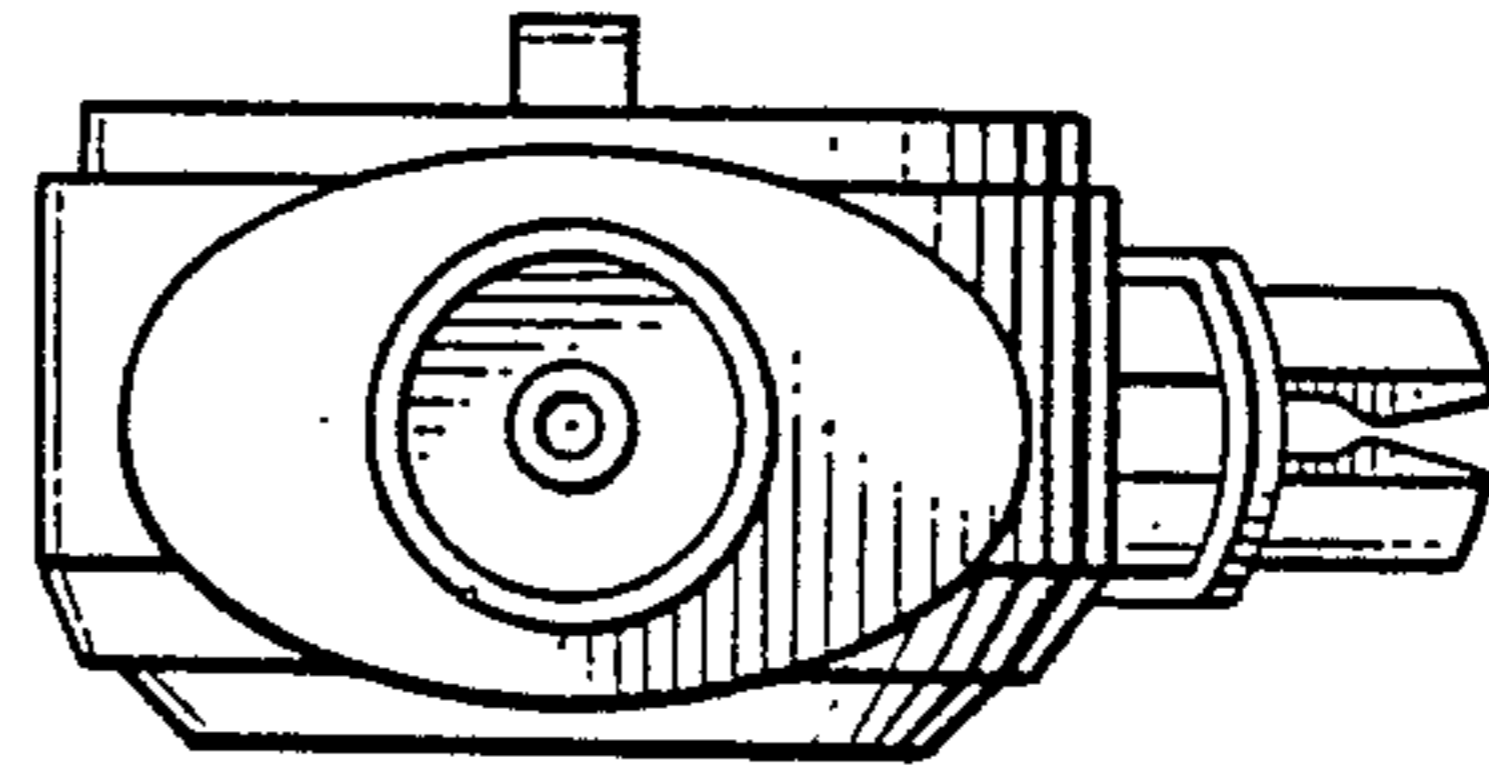
*Fig. 1*



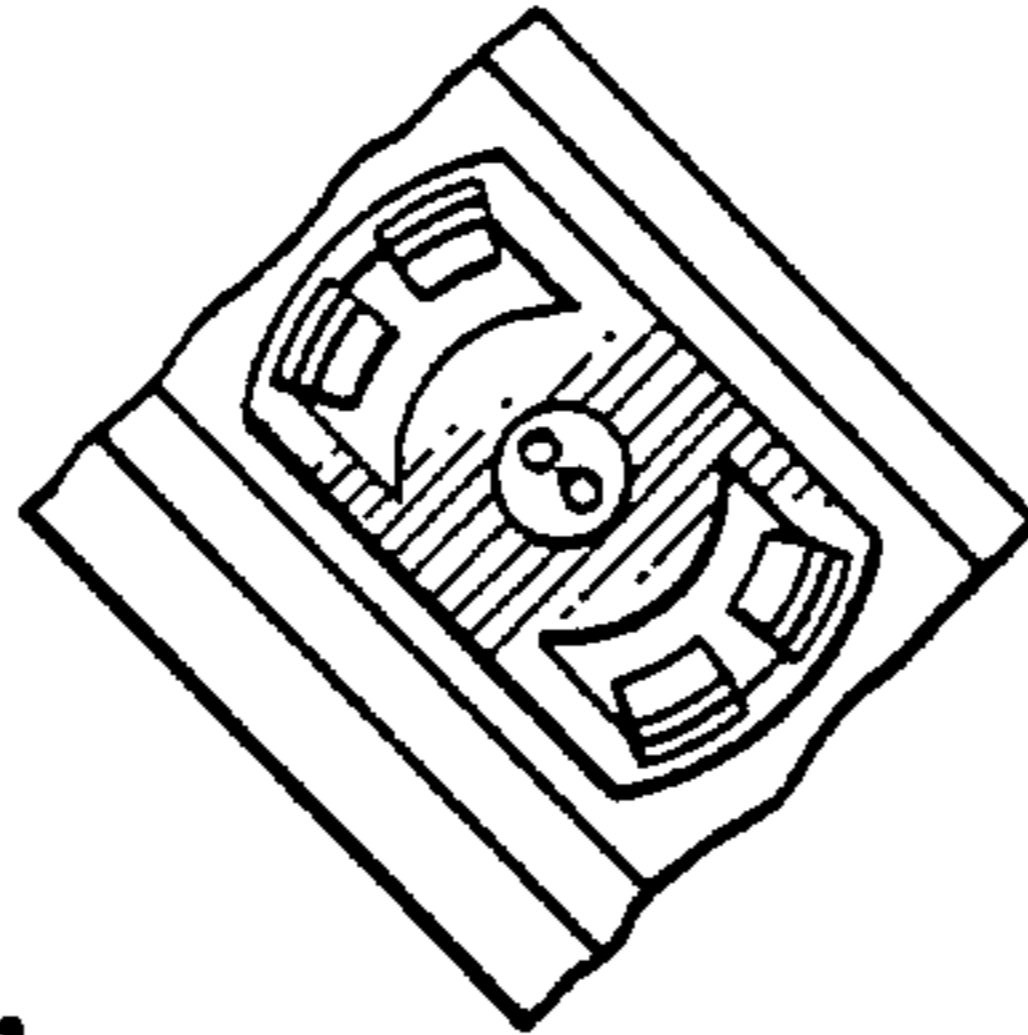
*Fig. 2*



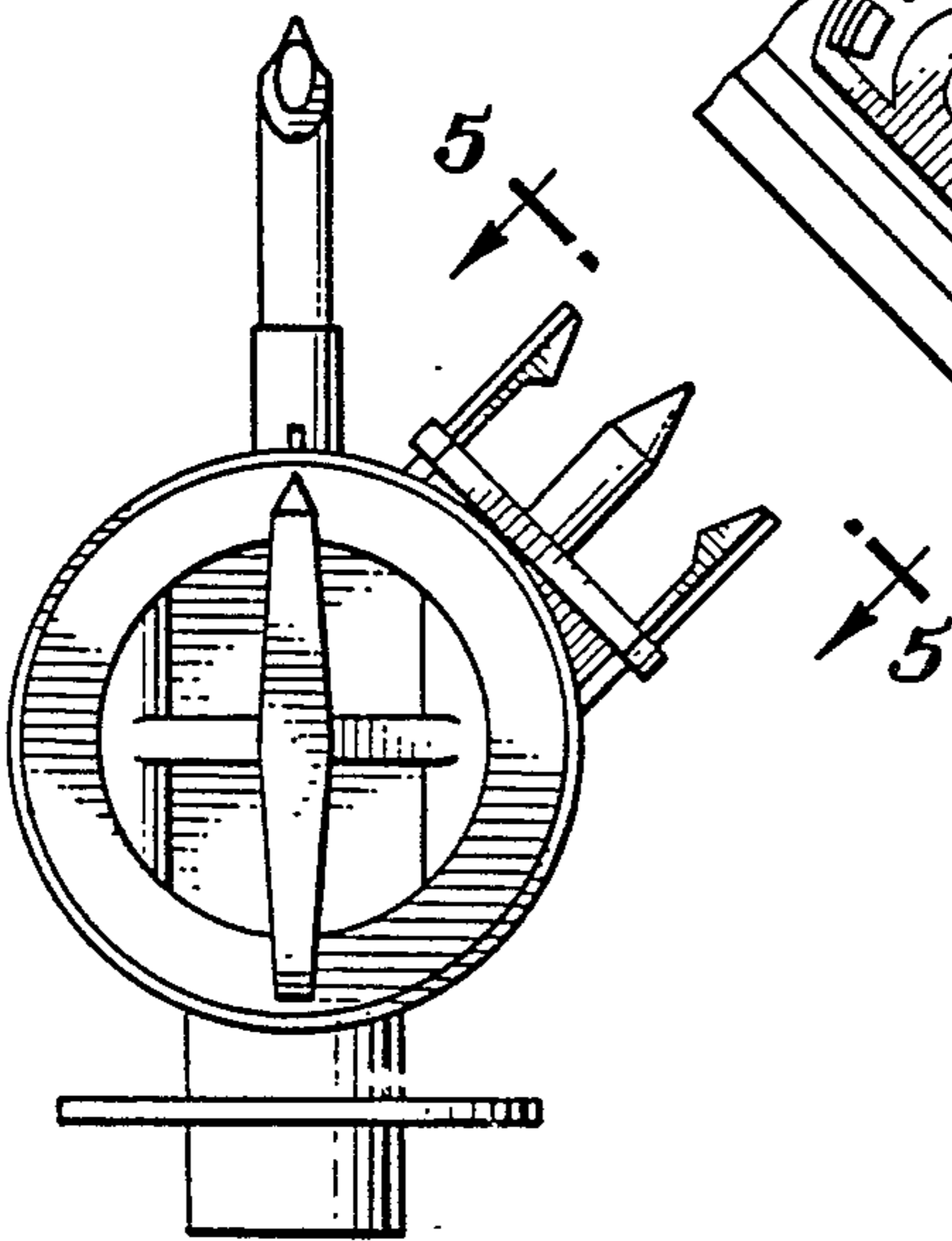
*Fig. 3*



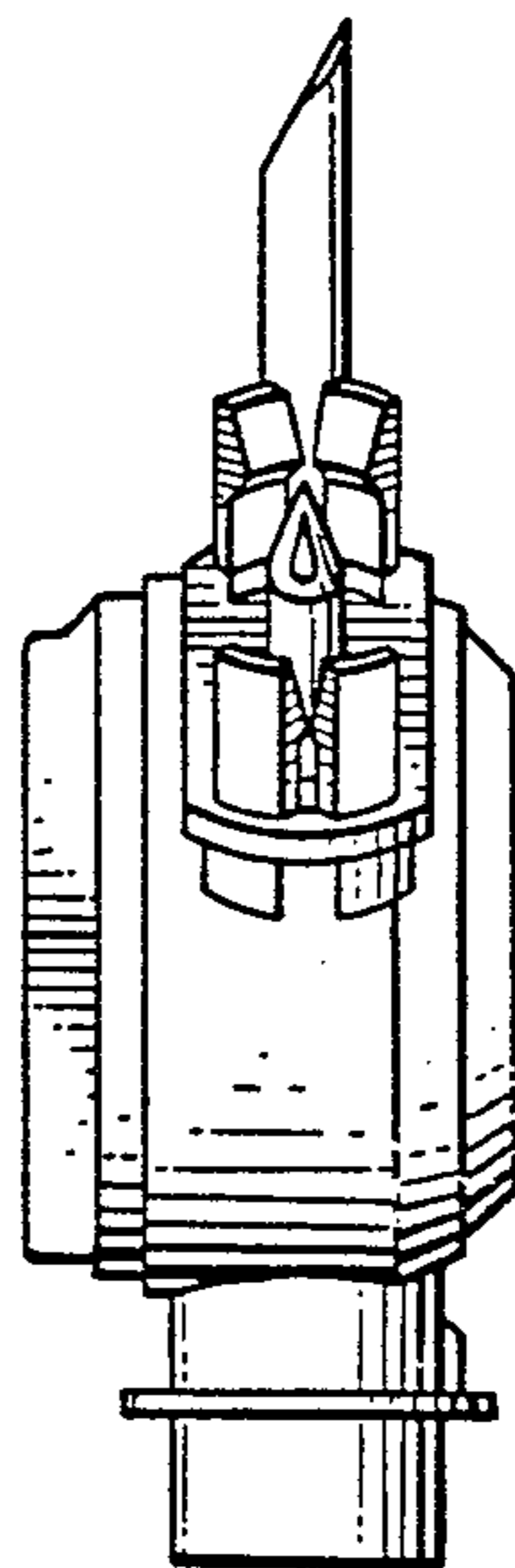
*Fig. 5*



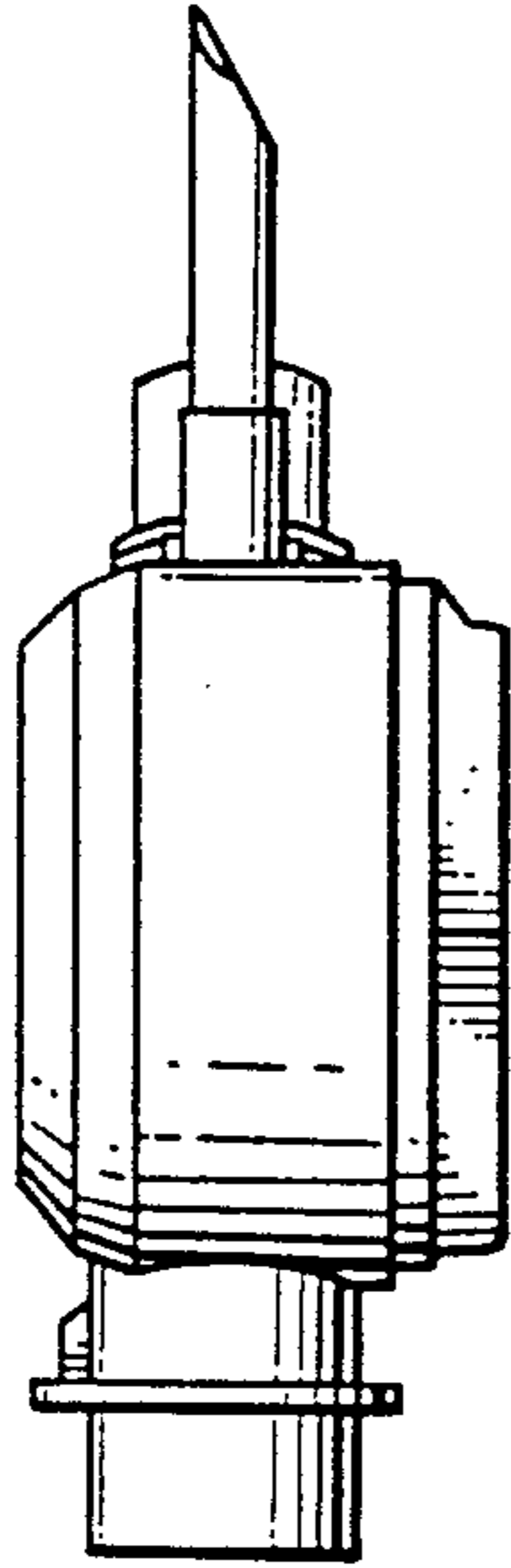
*Fig. 4*



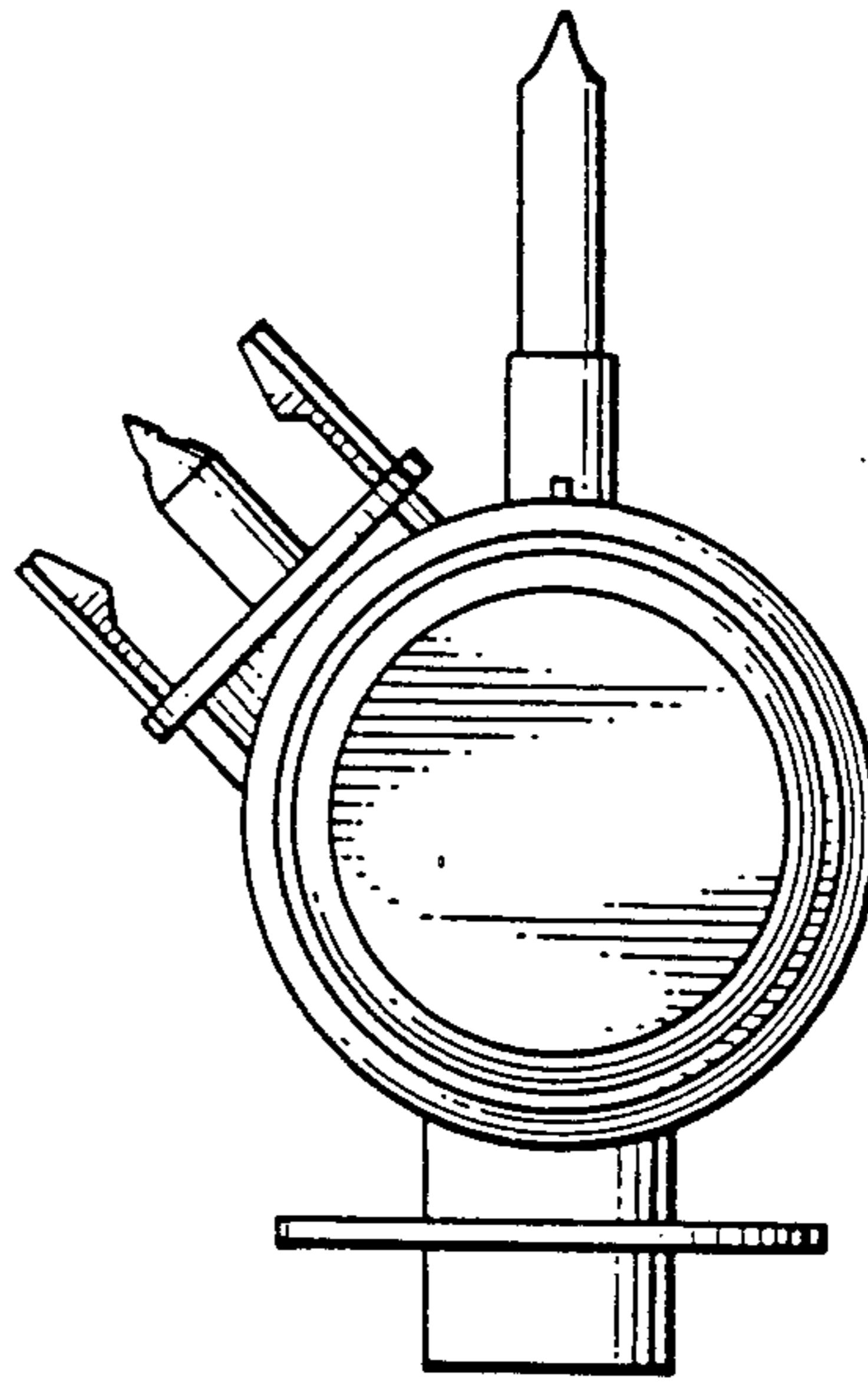
*Fig. 6*



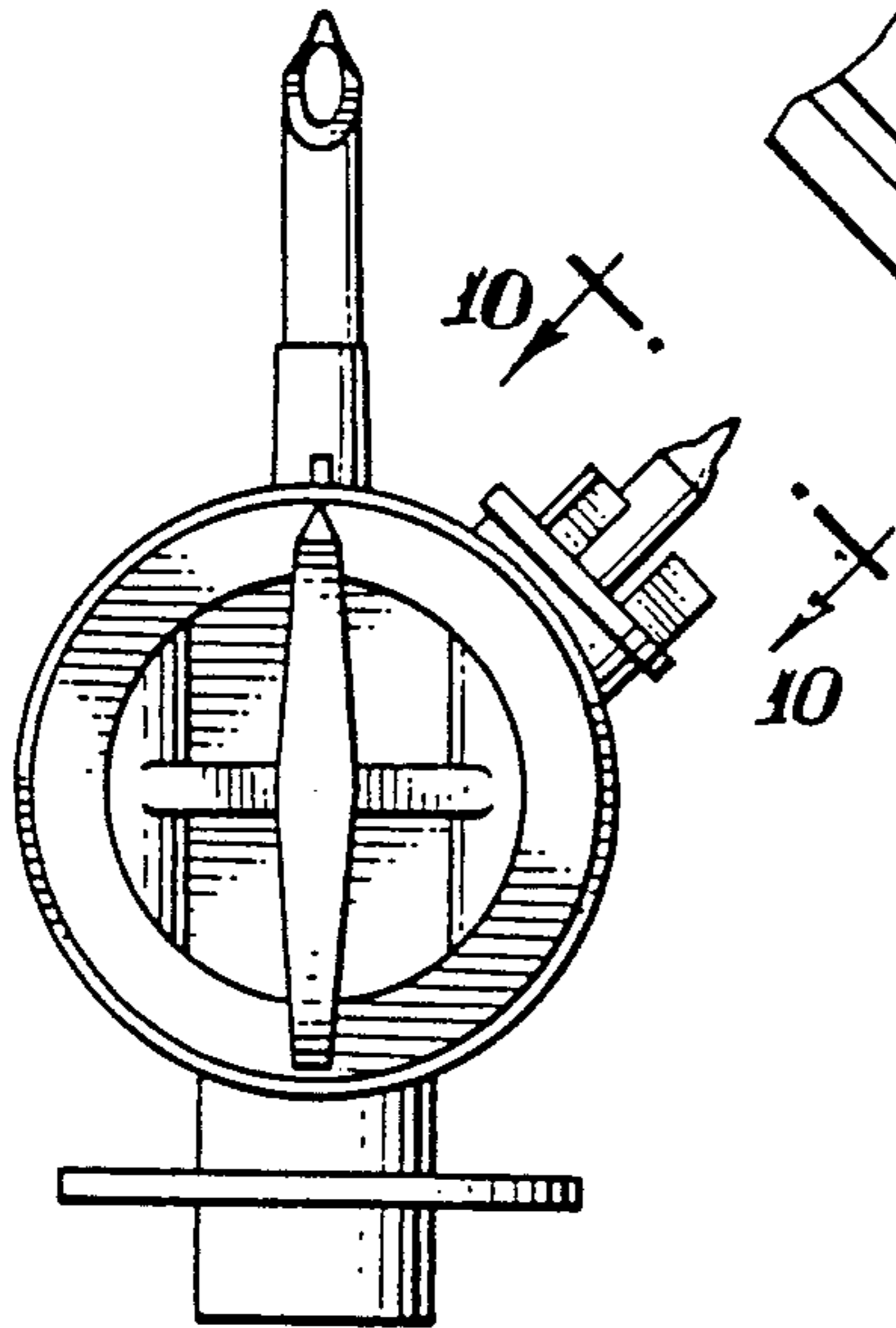
*Fig. 7*



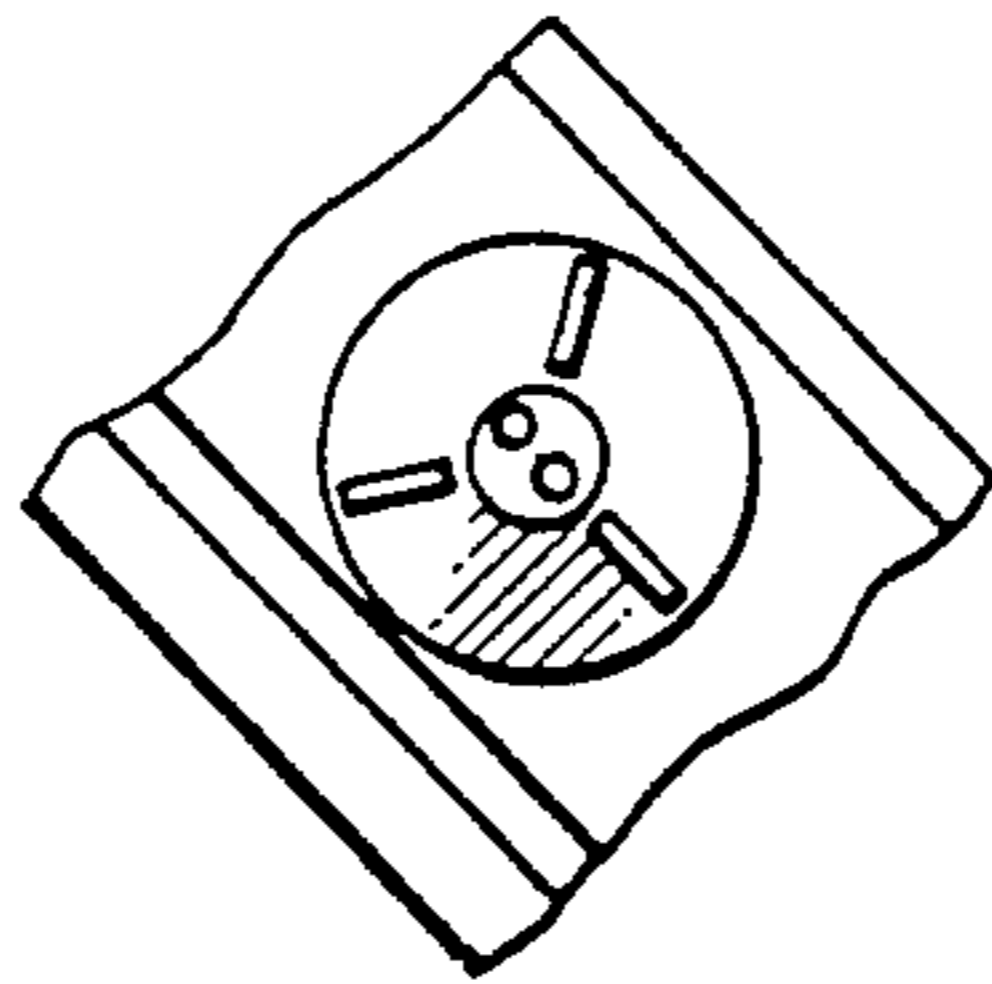
*Fig. 8*



*Fig. 9*



*Fig. 10*



*Fig. 11*

