

[54] MICROWAVE DISTILLATION APPARATUS

[75] Inventor: Narbik A. Karamian, Bethesda, Md.

[73] Assignee: Raf-Tan Inc., Bethesda, Md.

[**] Term: 14 Years

[21] Appl. No.: 787,724

[22] Filed: Oct. 15, 1985

[52] U.S. Cl. D23/207

[58] Field of Search D23/1, 3, 4; D24/8,
D24/9; 202/81-83, 239, 45, 160; 422/263-266,
274, 279; 210/153, 169, 162-163, 172, 190-191,
198.1, 198.3

[56] References Cited

U.S. PATENT DOCUMENTS

D. 249,055	8/1978	Hansrote	D23/3
D. 249,057	8/1978	Hansrote	D23/3
D. 249,540	9/1978	Giovagnoli	D23/3
D. 278,650	4/1985	Slovak et al.	D23/3

OTHER PUBLICATIONS

Cole-Parmer 1979-80 catalogue, p. 11, Constant Low Temperature Circulator, model 1279-OD.
Sargent-Welch catalogue 128 (1980), p. 1378, Water Bath, model S-84883-24.

Primary Examiner—Wallace R. Burke
Assistant Examiner—Brian N. Vinson
Attorney, Agent, or Firm—Joseph P. Nigon

[57] CLAIM

The ornamental design for the microwave distillation apparatus, as shown and described.

DESCRIPTION

FIG. 1 is a top and front perspective view of a microwave distillation apparatus showing my new design.
FIG. 2 is a front elevational view thereof;
FIG. 3 is a top plan view thereof;
FIG. 4 is a rear elevational view thereof;
FIG. 5 is a left side elevational view thereof;
FIG. 6 is a right side elevational view thereof.
The broken line showing the tubing elements is for illustrative purposes only and forms no part of the claimed design.

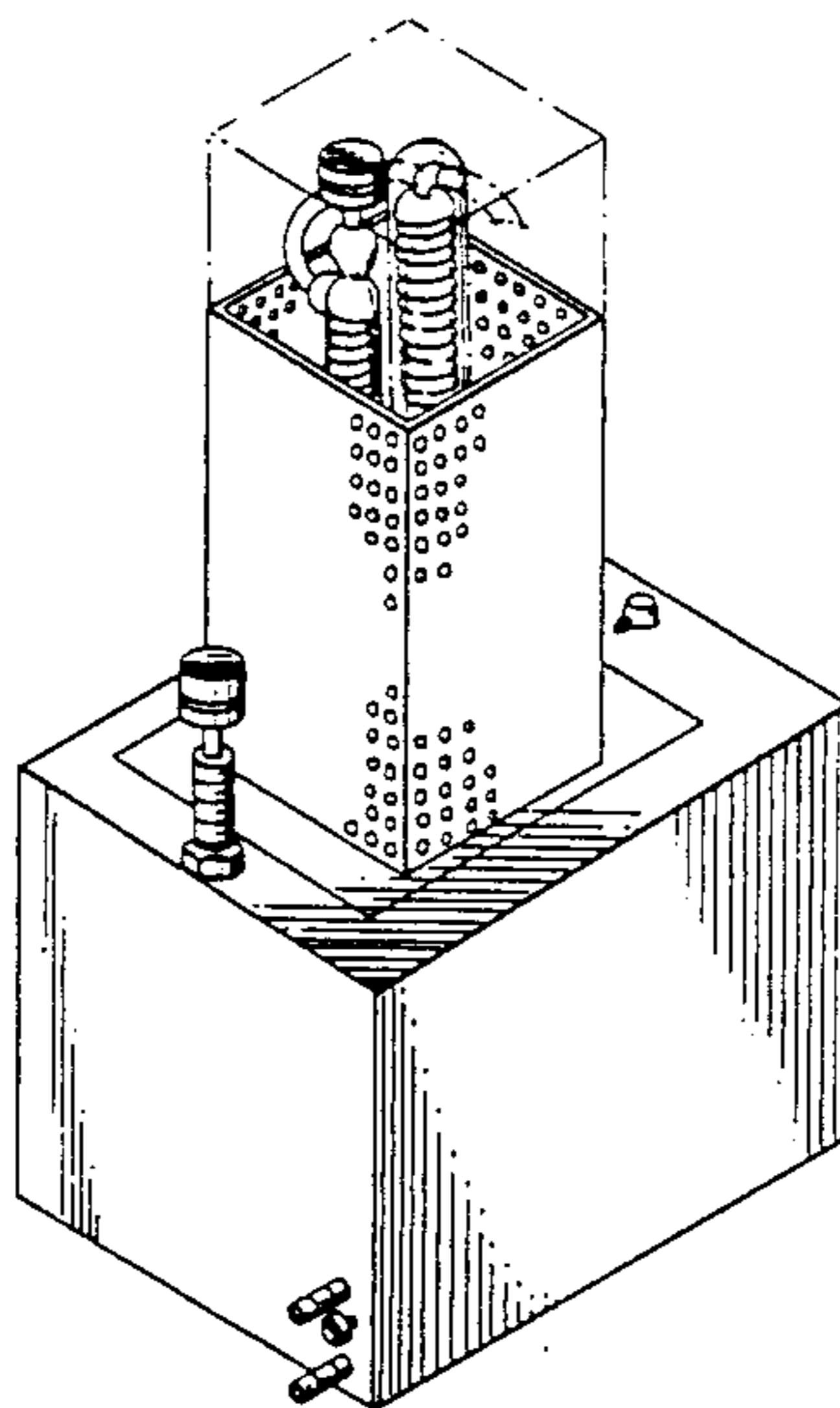


FIG. 1.

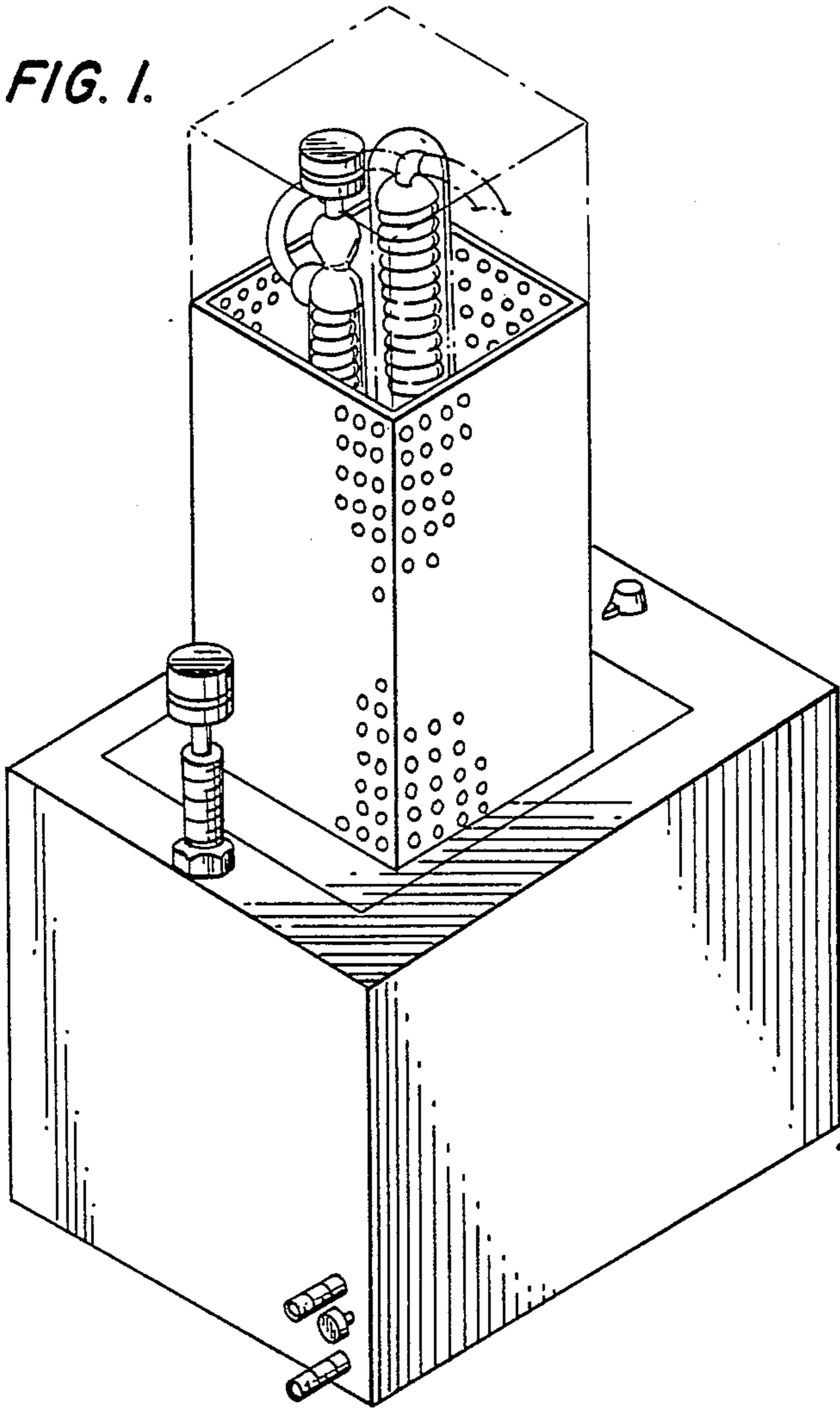


FIG. 2.

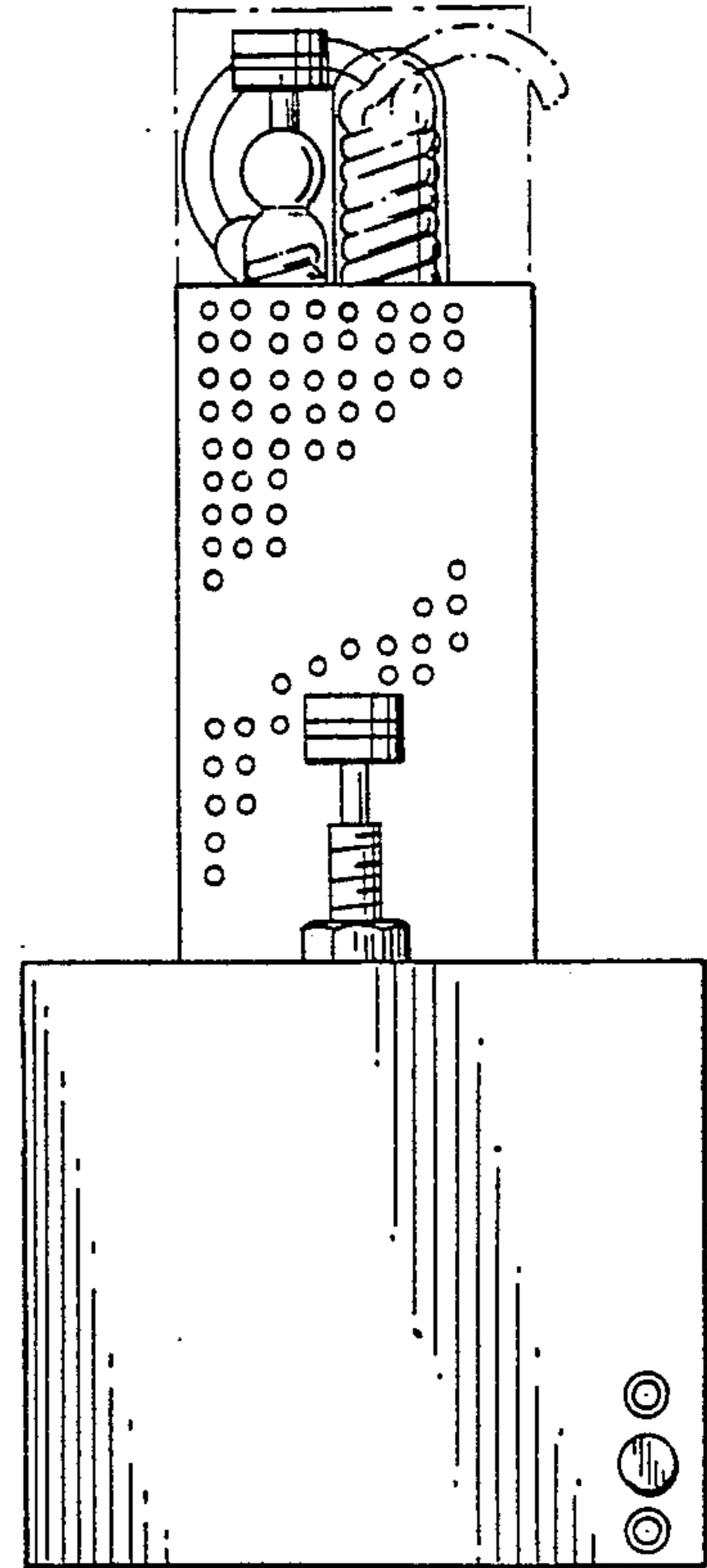
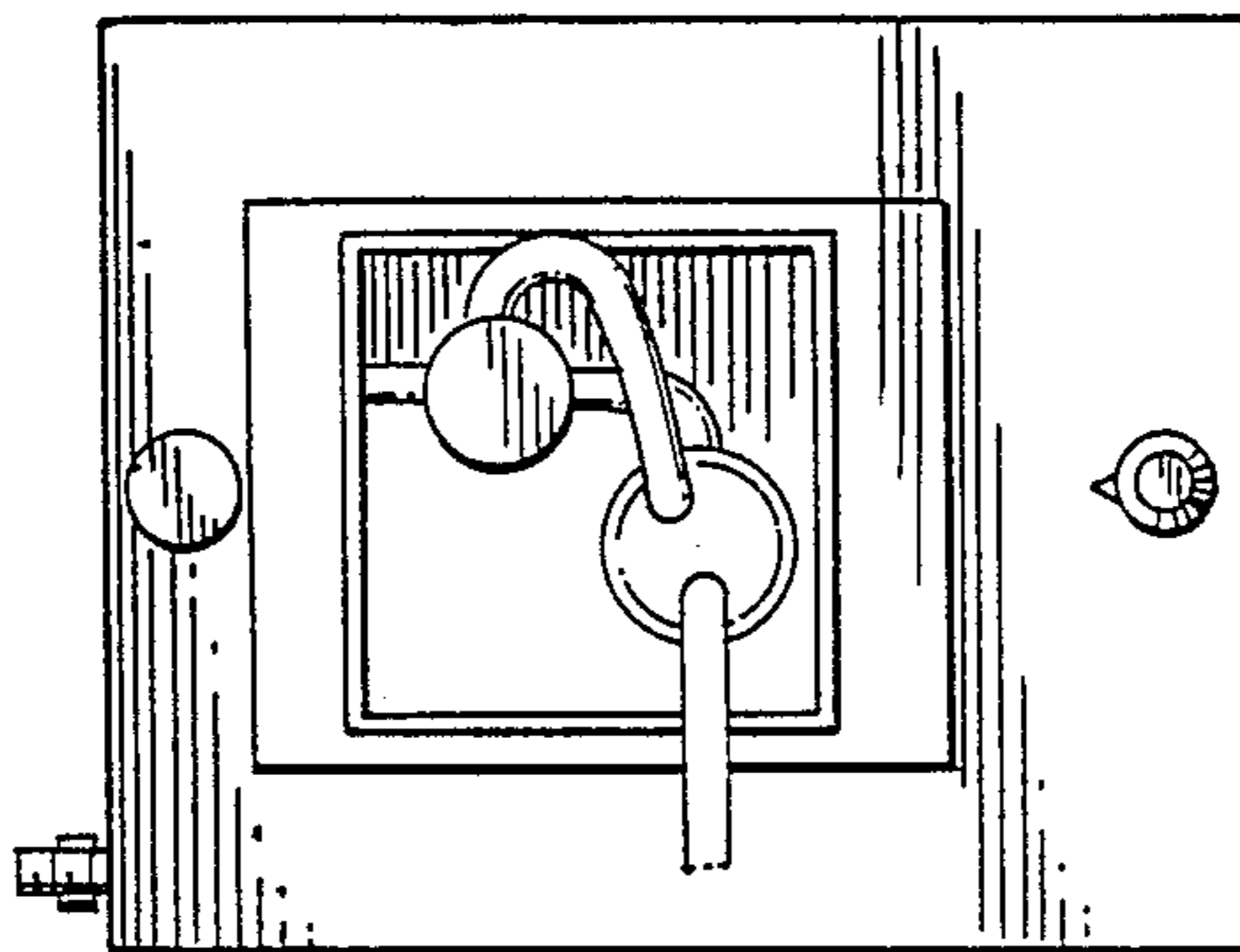


FIG. 3.



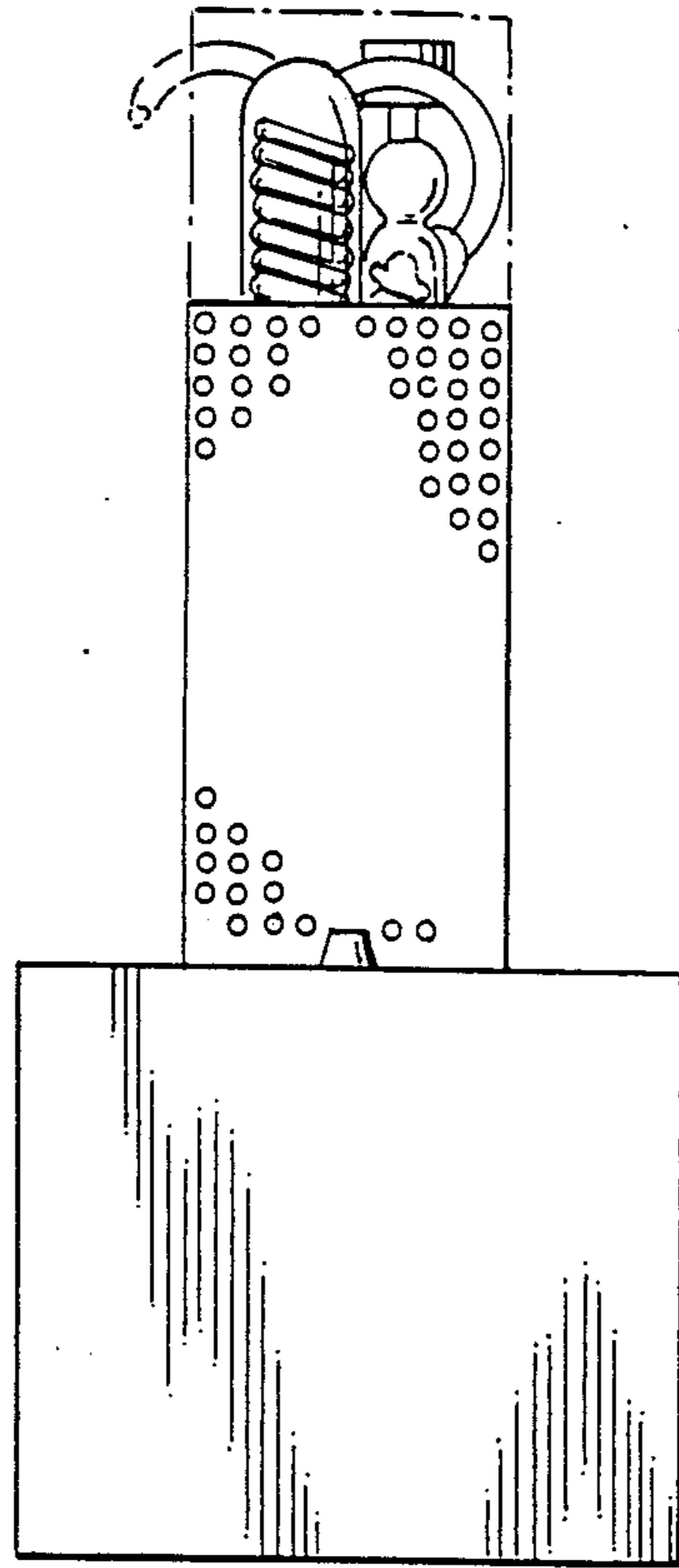


FIG. 4.

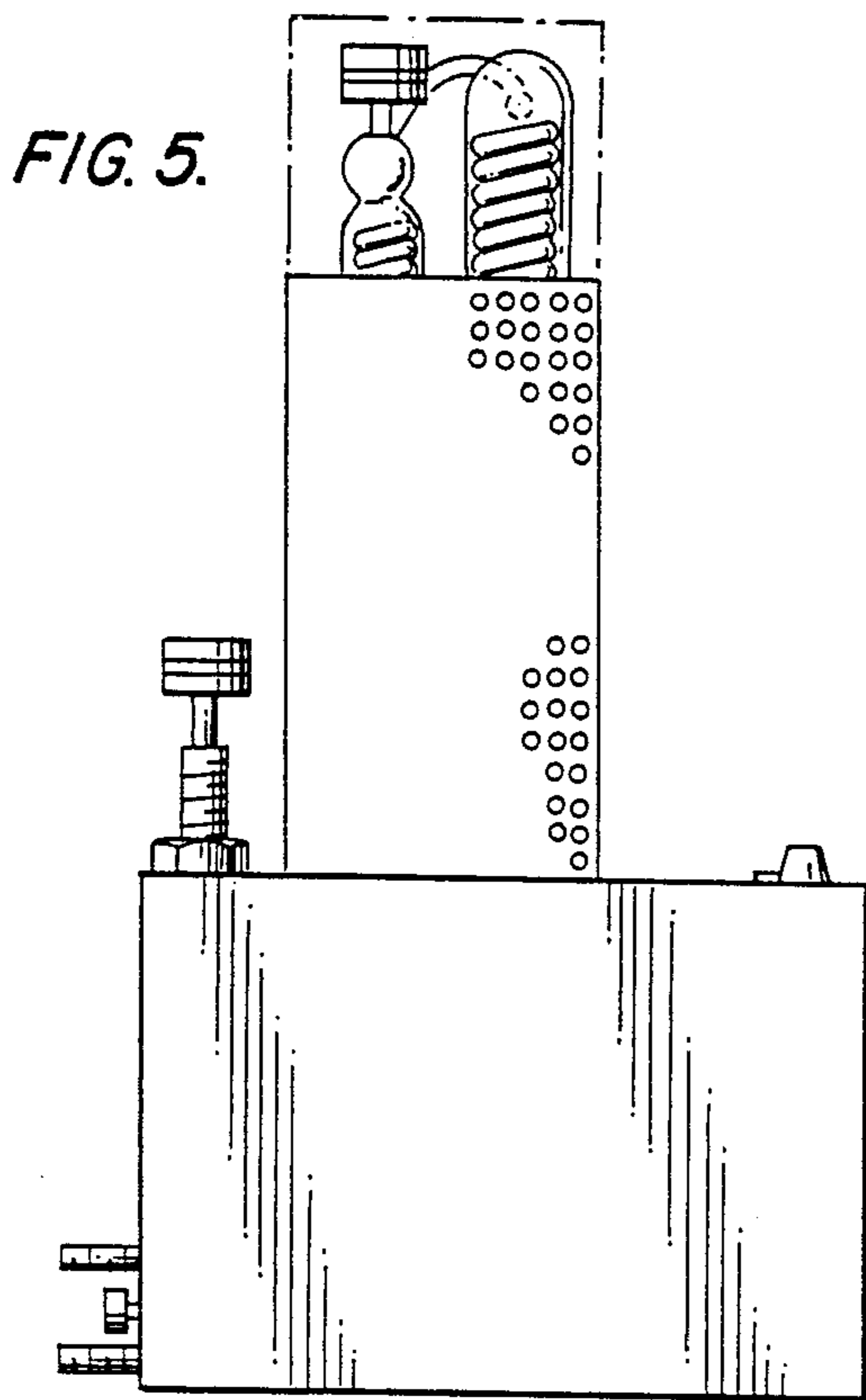


FIG. 5.

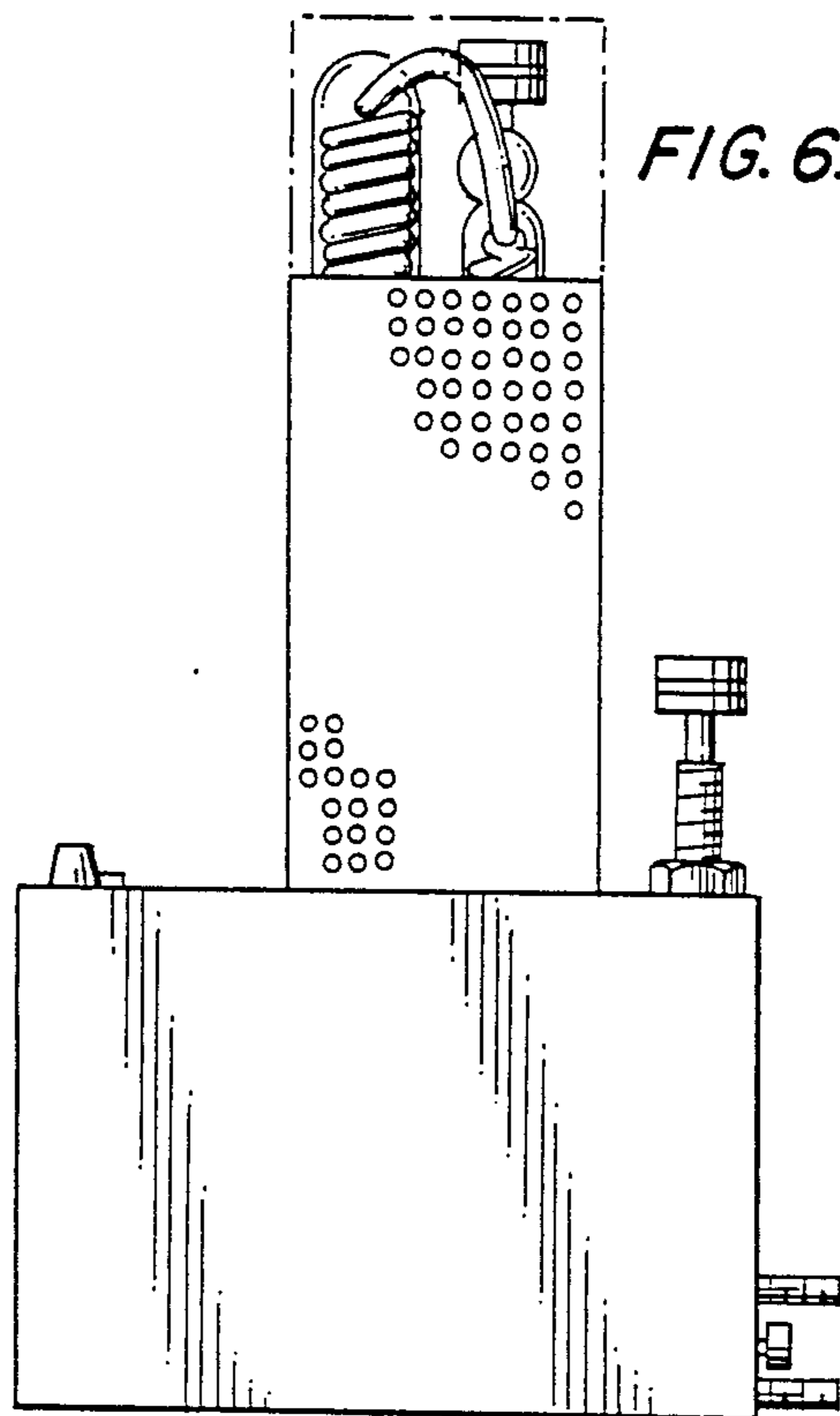


FIG. 6.