

United States Patent [19]
Sobel

[11] **Patent Number: Des. 293,124**
[45] **Date of Patent: ** Dec. 8, 1987**

[54] **HANDLE FOR EXERCISE DEVICE**

4,651,988 3/1987 Sobel 272/143

[76] **Inventor: David D. Sobel, 15415 N. 22nd St., Phoenix, Ariz. 85022**

[**] **Term: 14 Years**

[21] **Appl. No.: 724,968**

[22] **Filed: Apr. 19, 1985**

[52] **U.S. Cl. D21/198**

[58] **Field of Search D9/455; D21/191-199; 272/67, 68, 122, 123, 114, 119, 121, 124, 143; D7/39; 294/27.1; 220/85 H**

[56] **References Cited**

U.S. PATENT DOCUMENTS

D. 197,853 3/1964 Smith D9/455
D. 204,295 4/1966 Brekke D9/455
D. 280,337 8/1985 Hood D21/198
1,975,241 10/1934 Werber et al. D7/39
3,867,738 2/1975 Garner D9/455

OTHER PUBLICATIONS

Abitare 1-1979, p. 76, Ski Handles.

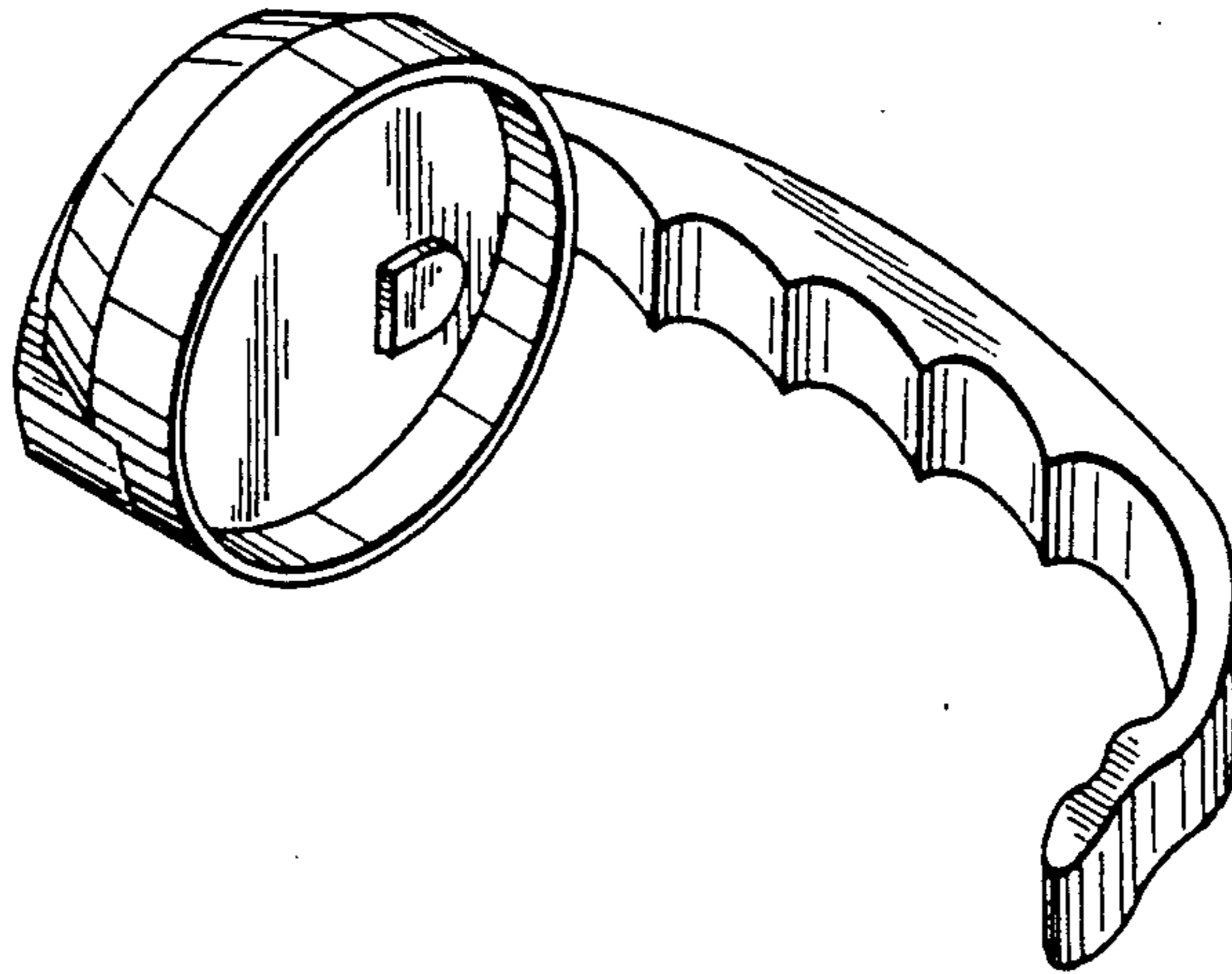
Primary Examiner—Charles A. Rademaker
Attorney, Agent, or Firm—Murray Schaffer

[57] **CLAIM**

The ornamental design for a handle for exercise device, substantially as shown and described.

DESCRIPTION

FIG. 1 is a side perspective view of a handle for an exercise device showing my new design;
FIG. 2 is a side elevational view thereof;
FIG. 3 is a front elevational view thereof;
FIG. 4 is a rear elevational view thereof;
FIG. 5 is a cross-sectional view thereof taken along lines 5—5 in FIG. 2; and
FIG. 6 is a top plan view thereof.



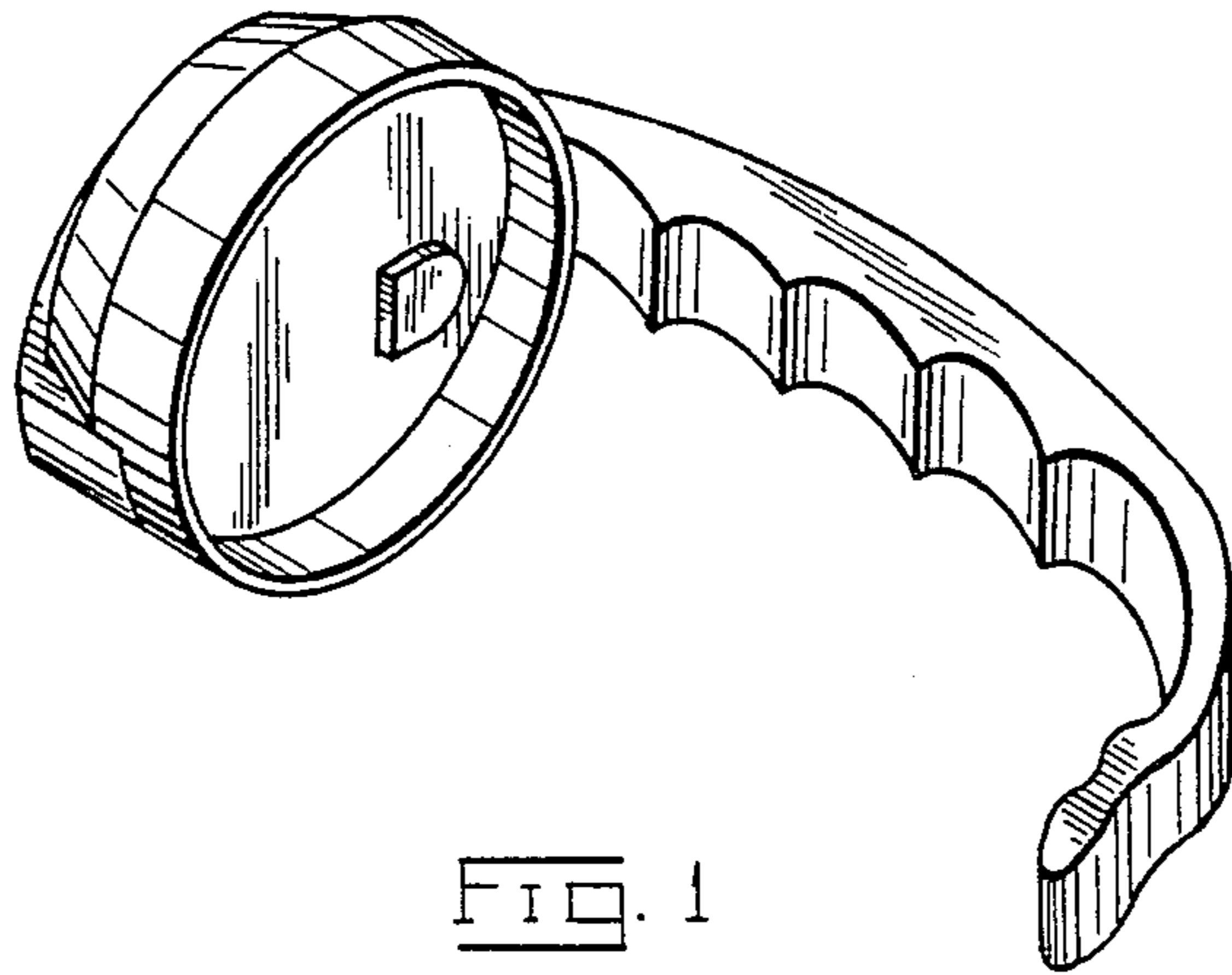


FIG. 1

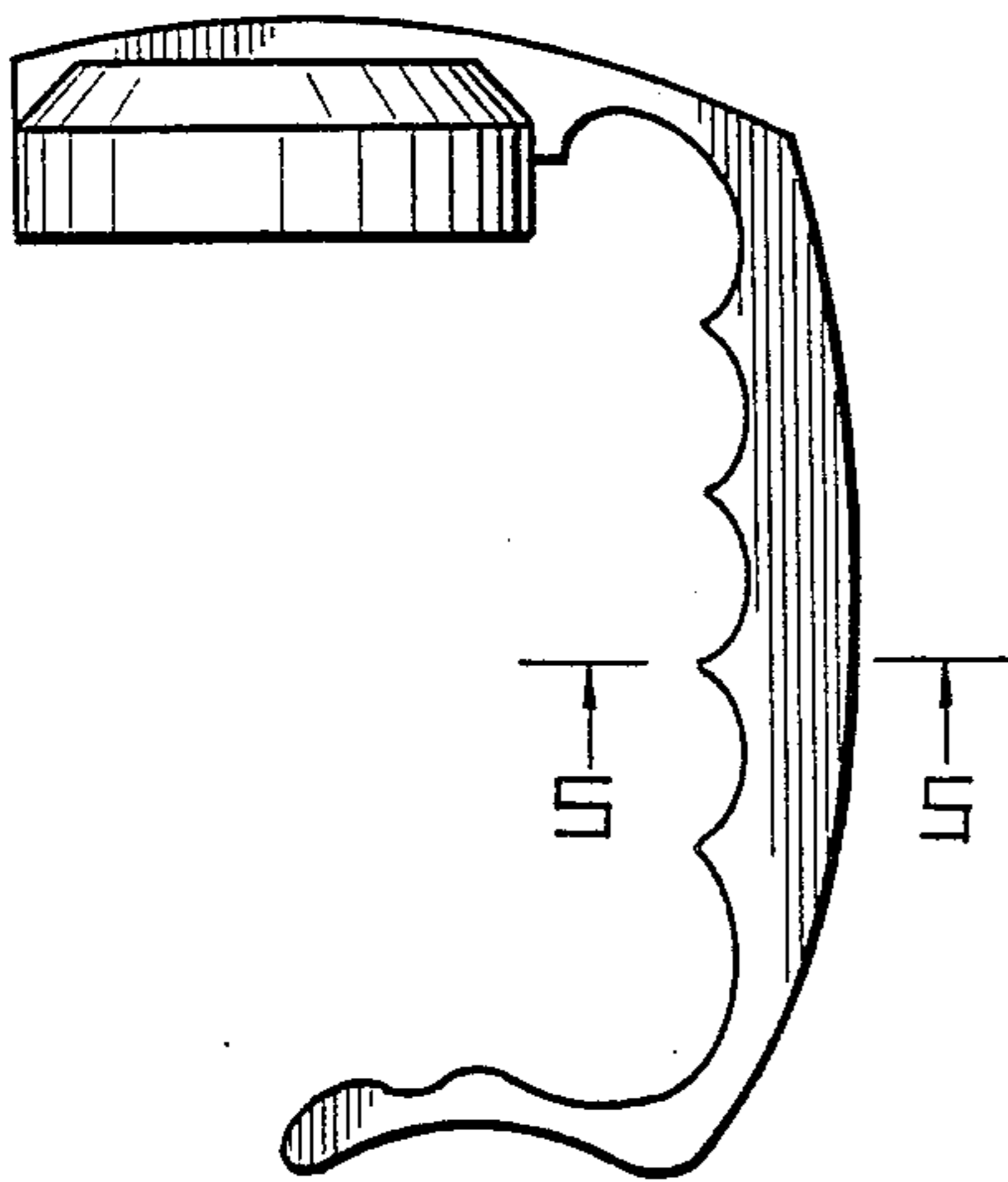


FIG. 2

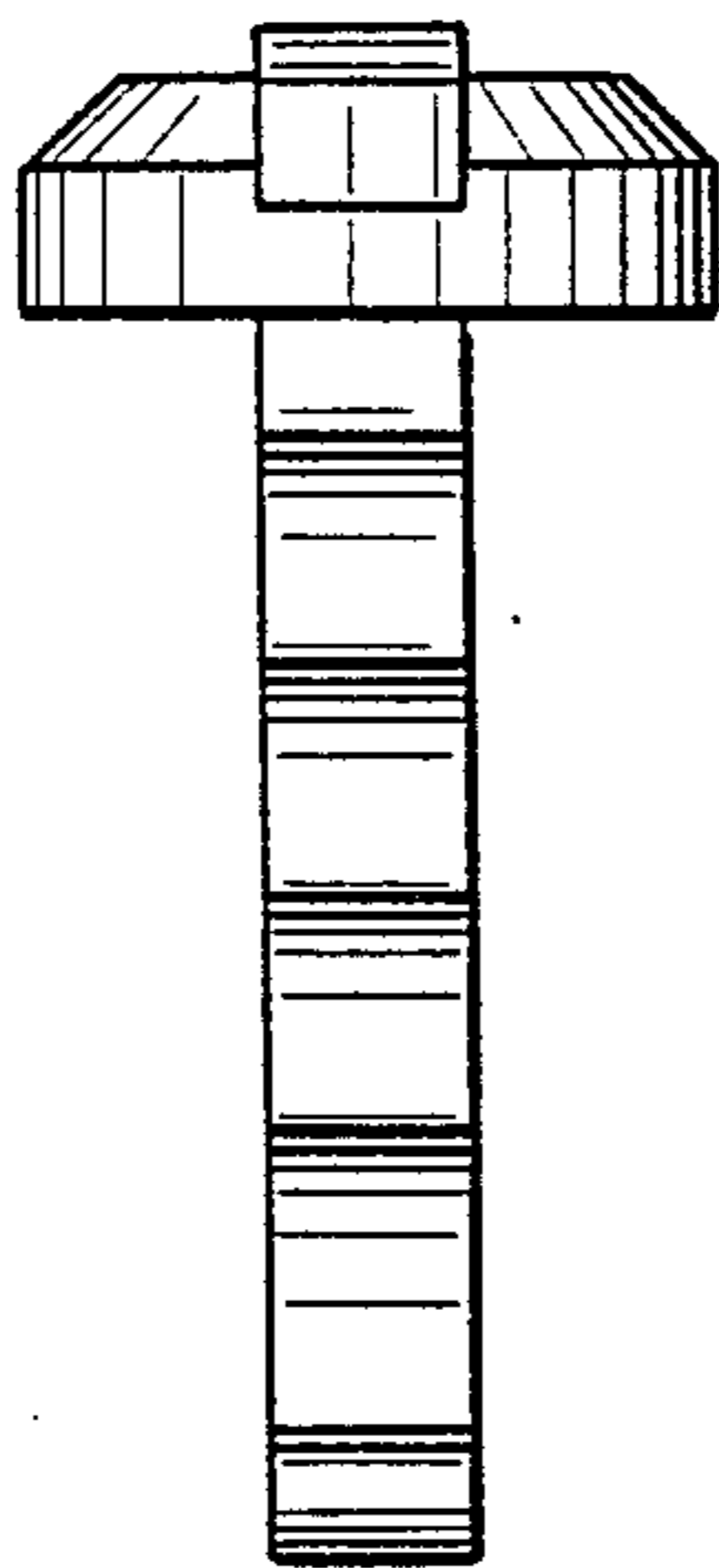


FIG. 3

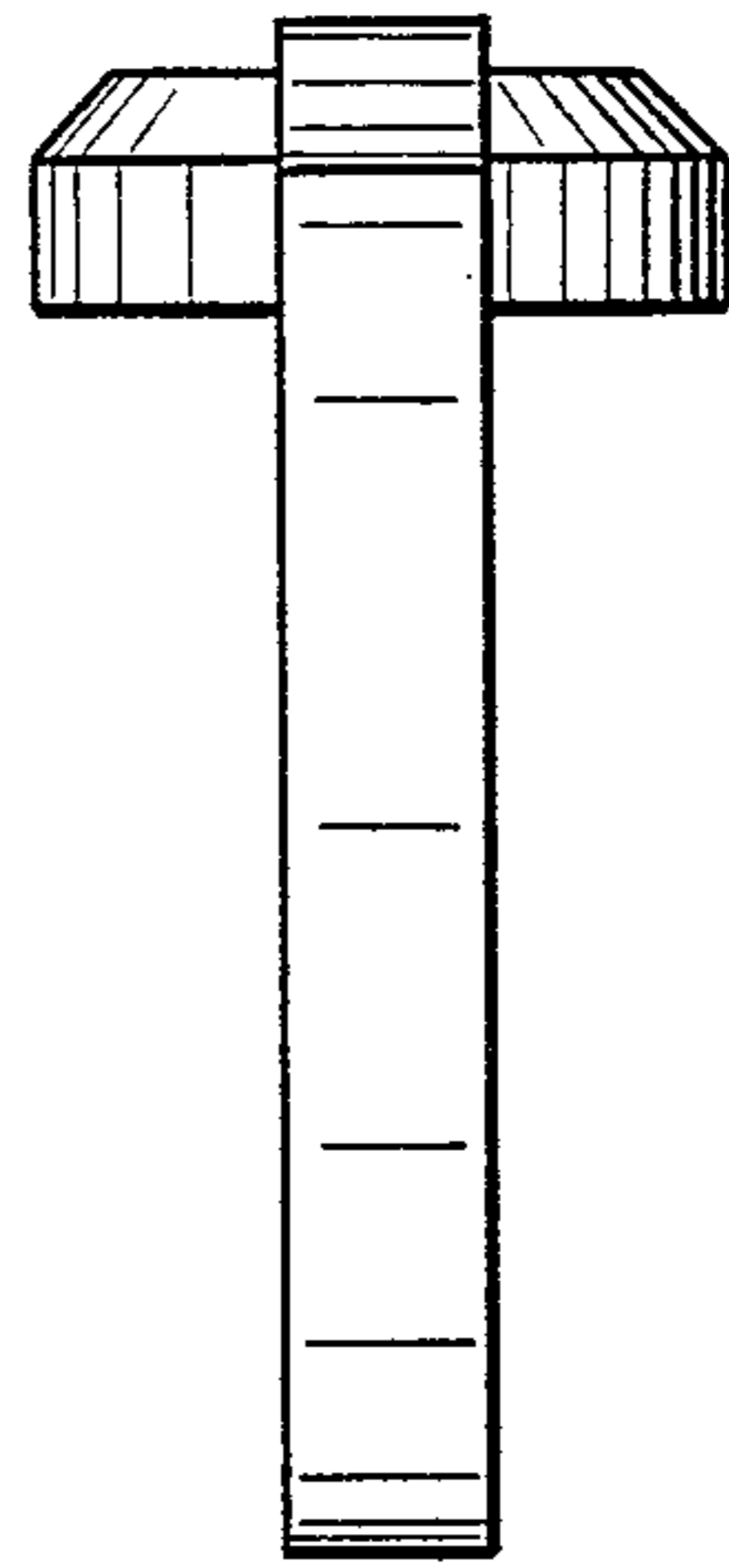


FIG. 4

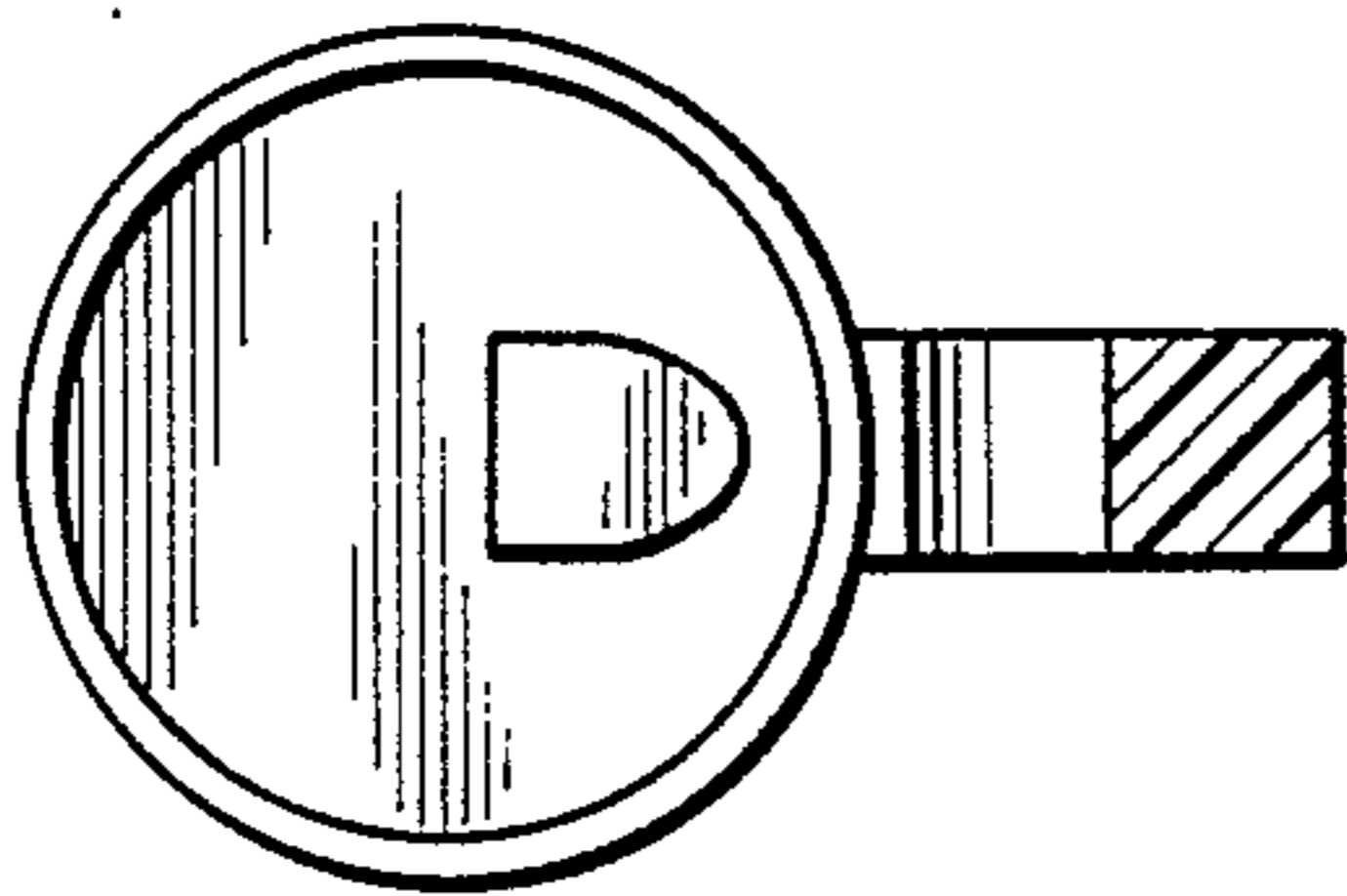


FIG. 5

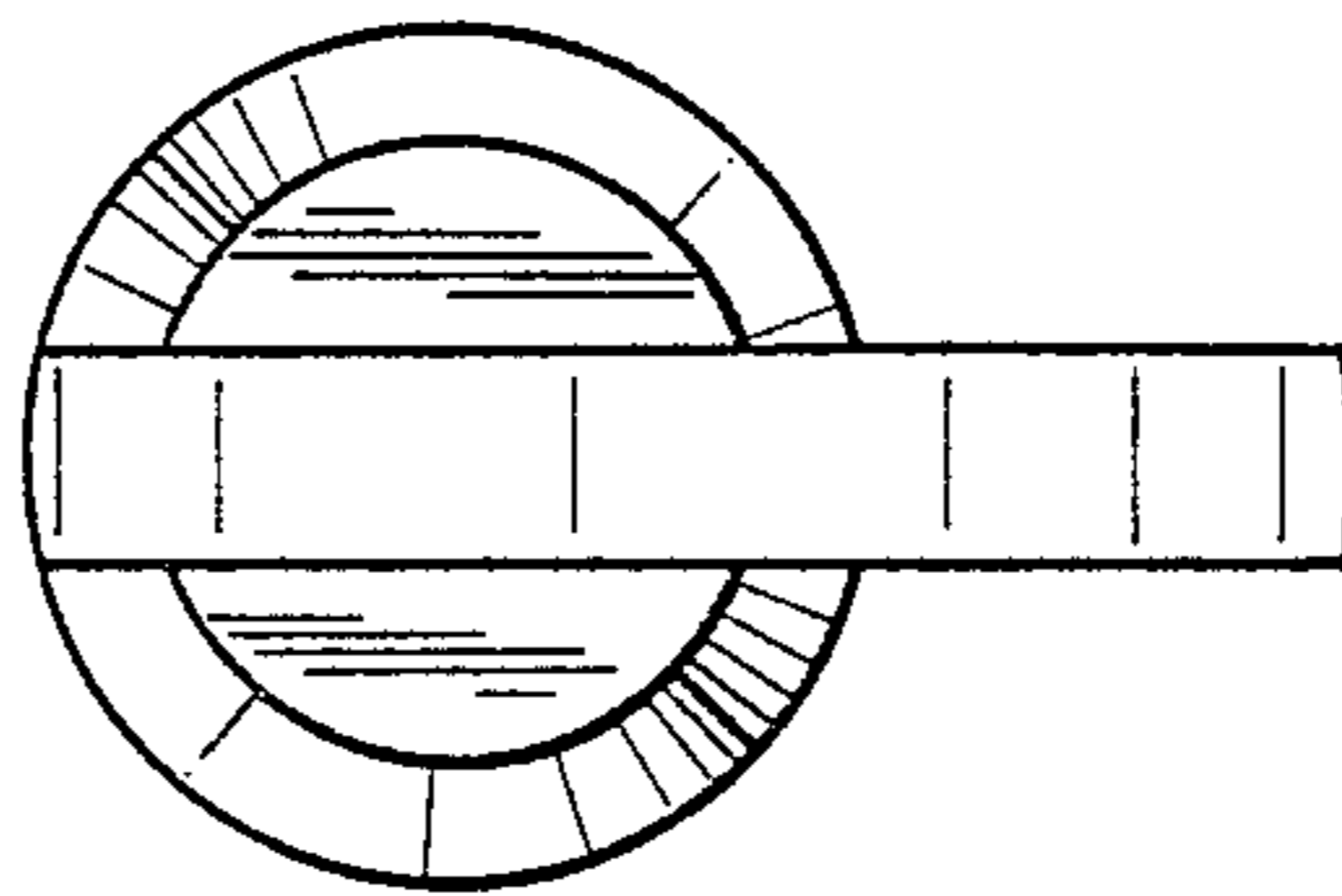


FIG. 6