

# United States Patent [19]

Stackhouse et al.

[11] Patent Number: Des. 293,116

[45] Date of Patent: \*\* Dec. 8, 1987

[54] INDUSTRIAL ROBOT

[75] Inventors: Theodore H. Stackhouse; Edward J. Bailey; Roland S. Sedziol, all of Cincinnati; William E. Berry, Deer Park; Kenneth E. Schubeler, West Chester; Michael D. Braun, Cincinnati, all of Ohio

[73] Assignee: Cincinnati Milacron Inc., Cincinnati, Ohio

[\*\*] Term: 14 Years

[21] Appl. No.: 741,411

[22] Filed: Jun. 5, 1985

[52] U.S. Cl. .... D15/199; D15/122

[58] Field of Search ..... D15/122, 199; 414/729, 414/730, 732, 737, 738, 739, 740, 741, 744 R, 744 A, 744 B, 744 C, 749, 758; 901/14-16

[56] References Cited

## U.S. PATENT DOCUMENTS

D. 268,033 2/1983 Stackhouse ..... D15/99  
D. 269,681 7/1983 Morser et al. .... D15/99  
4,192,986 3/1980 Udagawa et al. .... 901/16  
4,229,136 10/1980 Panissidi ..... D15/199

4,274,802 6/1981 Inaba et al. .... 414/783  
4,502,830 3/1985 Inaba et al. .... 414/735  
4,557,657 12/1985 Olson ..... 414/749  
4,566,726 1/1986 Correnti et al. .... 414/744 B  
4,571,149 2/1986 Soroka et al. .... 901/16

## OTHER PUBLICATIONS

Cincinnati Milacron Inc. T<sup>3</sup> 363 Industrial Robot product bulletin publication No. A-340-2.

Primary Examiner—B. J. Bullock

Attorney, Agent, or Firm—Thomas M. Farrell

[57] CLAIM

The ornamental design for an industrial robot, as shown and described.

## DESCRIPTION

FIG. 1 is a front right corner perspective view of an industrial robot showing our new design; FIG. 2 is an enlarged front elevational view thereof; FIG. 3 is an enlarged top plan view thereof, the bottom being unornamented; FIG. 4 is an enlarged right side elevational view thereof; FIG. 5 is an enlarged left side elevational view thereof; FIG. 6 is an enlarged rear elevational view thereof.

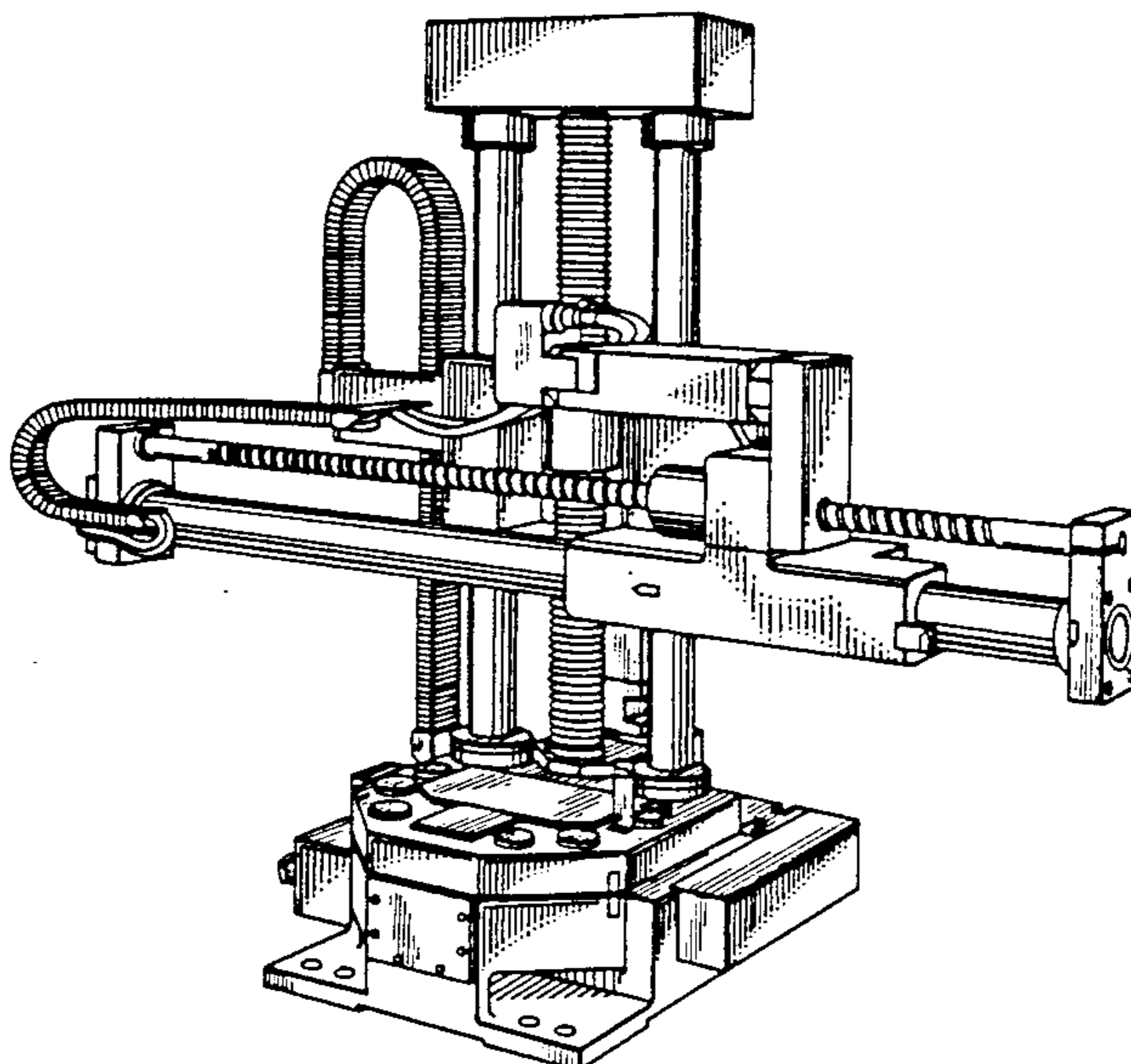


FIG. 1

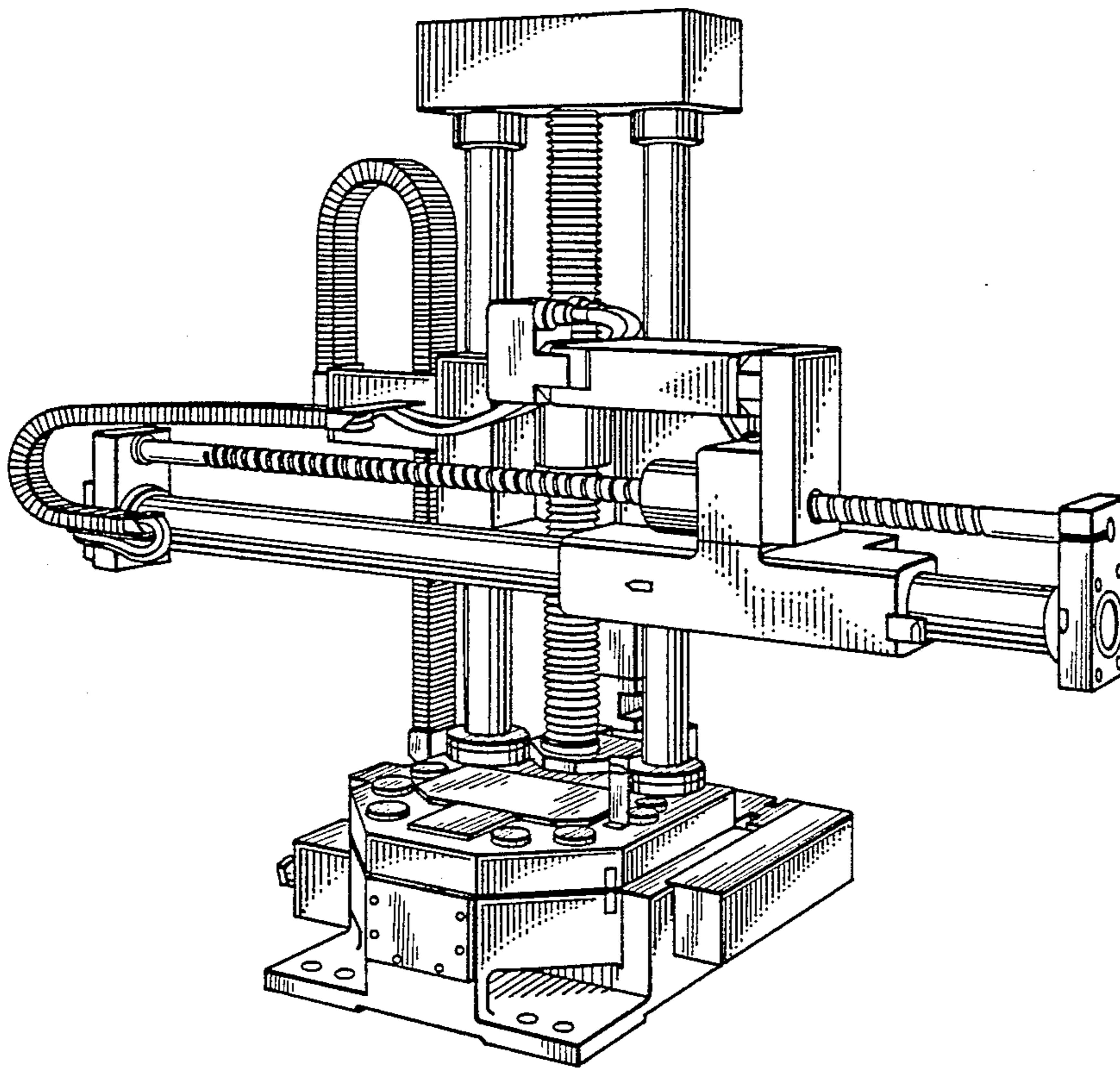


FIG. 2

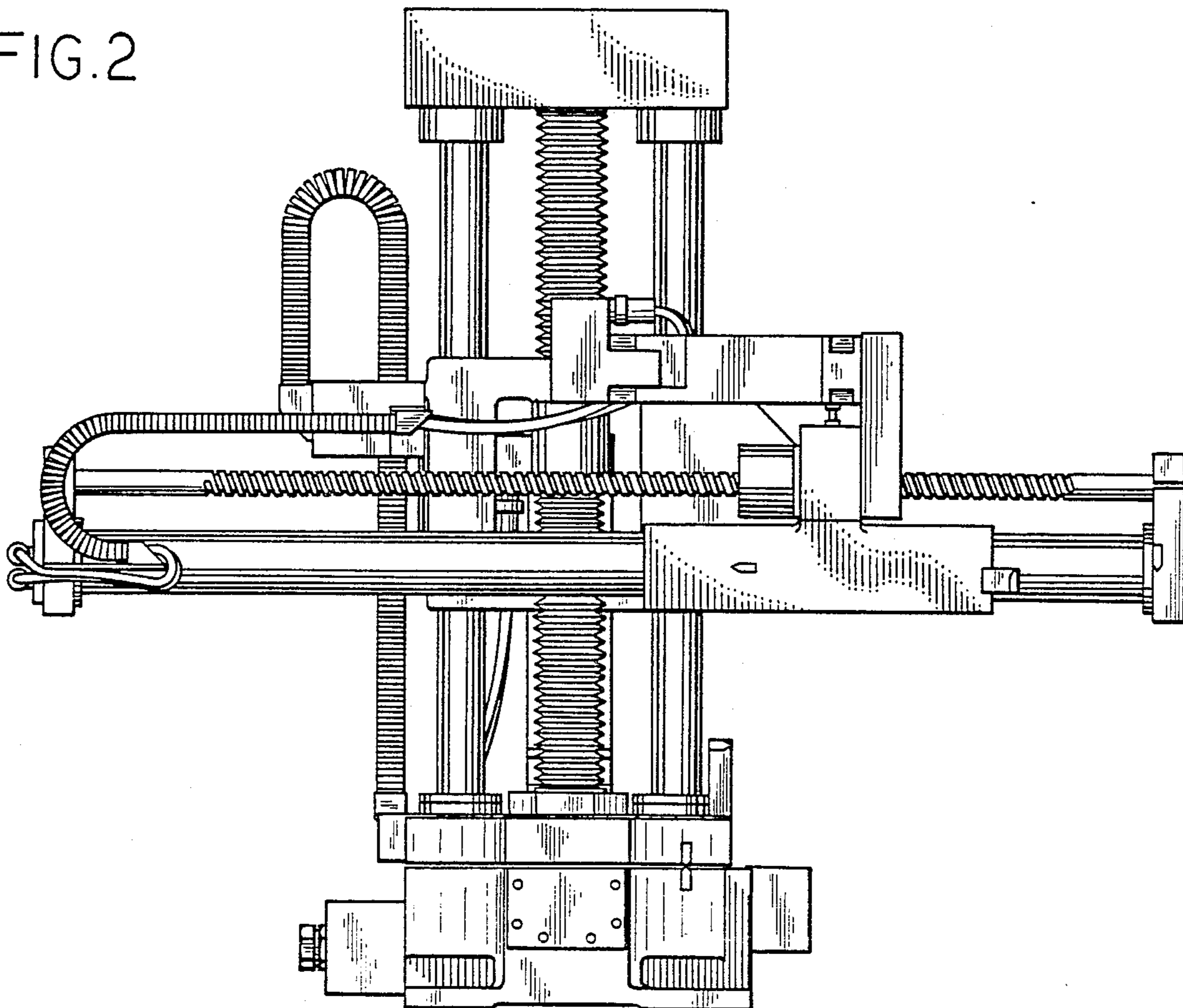


FIG. 3

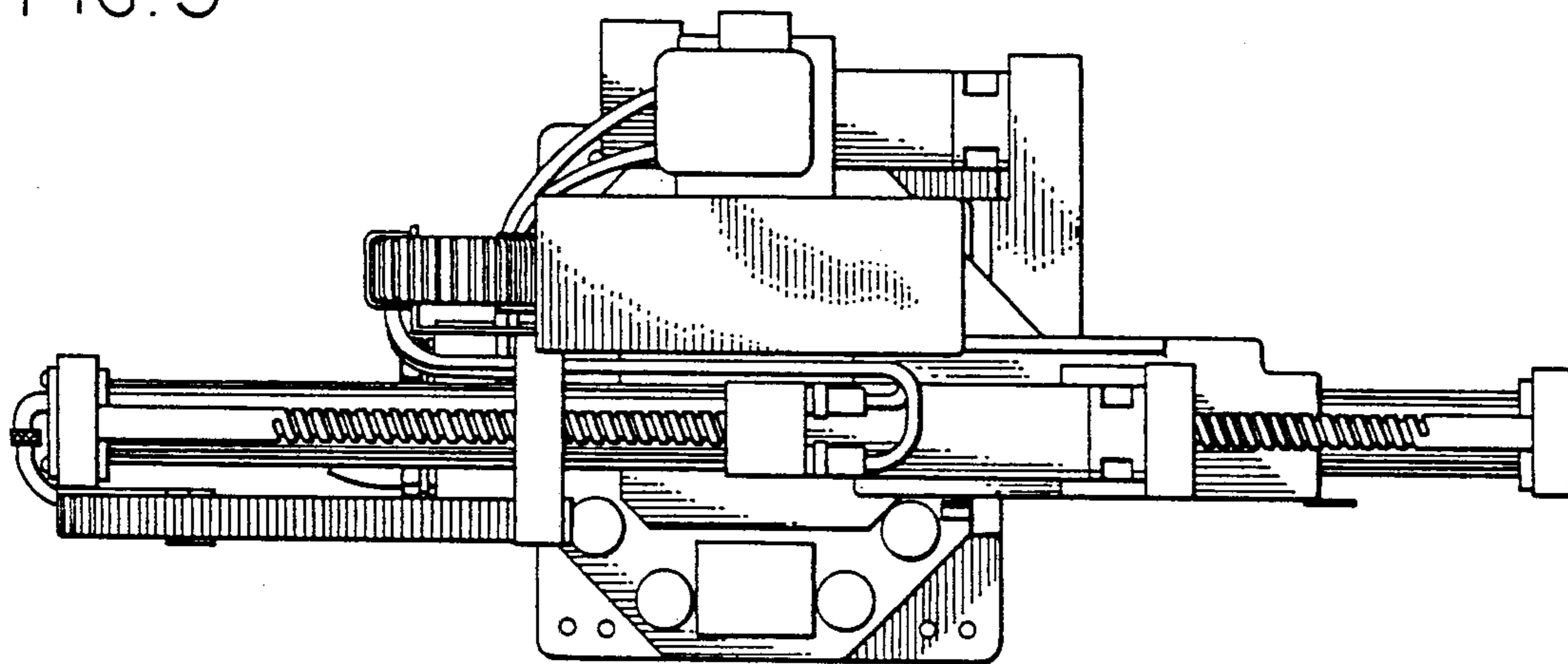


FIG. 4

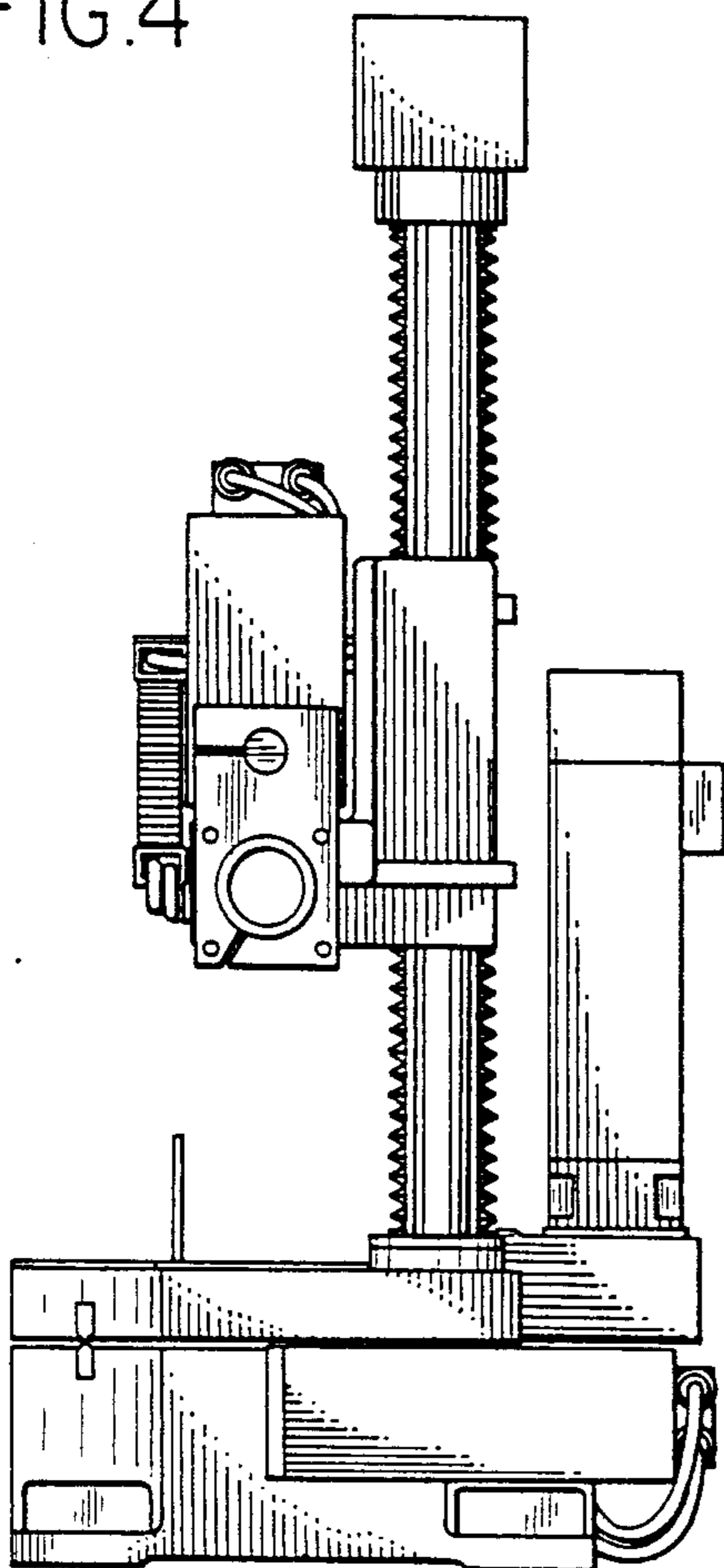


FIG. 5

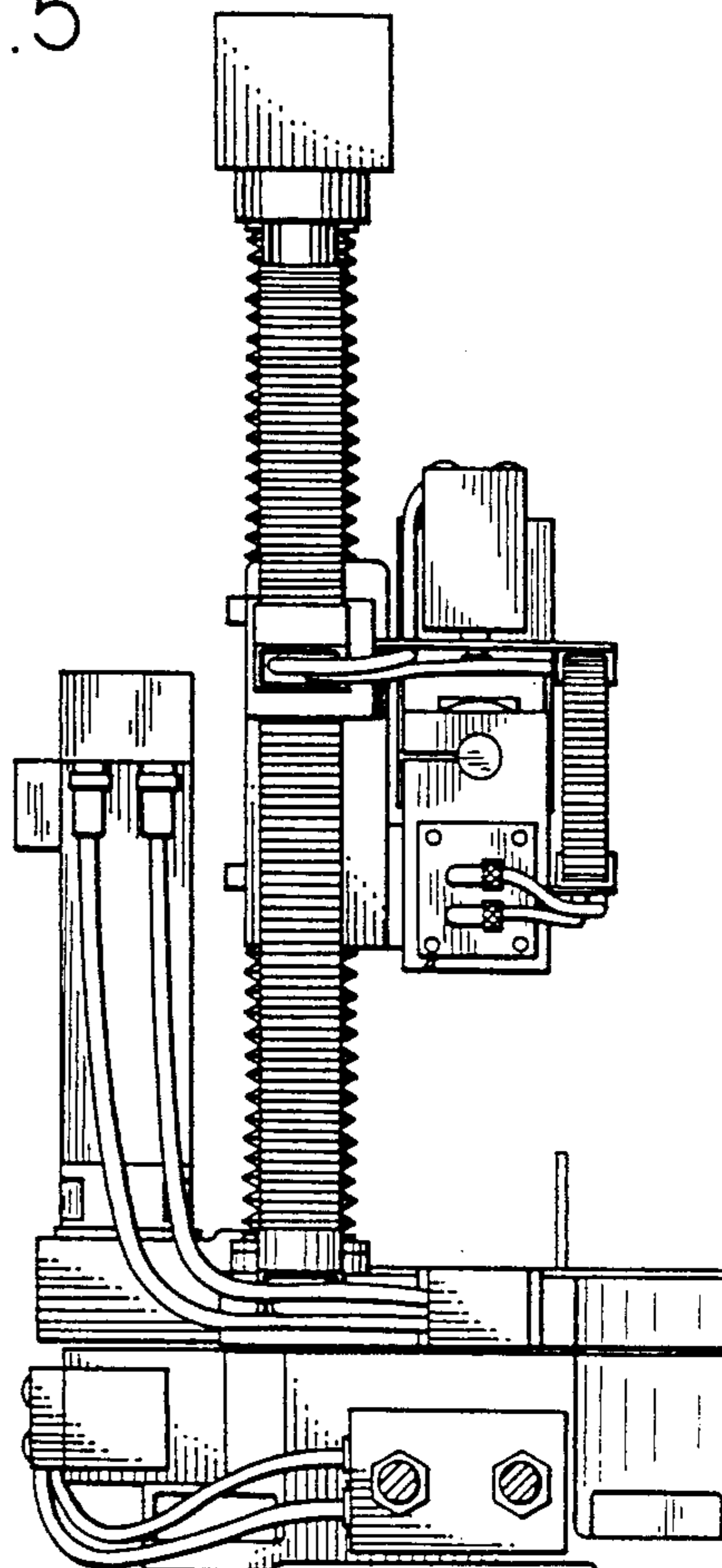


FIG.6

