

United States Patent [19]

Kuroki

[11] Patent Number: Des. 293,115

[45] Date of Patent: ** Dec. 8, 1987

[54] SEWING MACHINE

[75] Inventor: Nobufusa Kuroki, Tokyo, Japan

[73] Assignee: Janome Sewing Machine Co., Ltd.,
Tokyo, Japan

[**] Term: 14 Years

[21] Appl. No.: 714,109

[22] Filed: Mar. 20, 1985

[30] Foreign Application Priority Data

Oct. 18, 1984 [JP] Japan 59-42844

[52] U.S. Cl. D15/69

[58] Field of Search D15/69, 70; 112/63,
112/258-261

[56] References Cited

U.S. PATENT DOCUMENTS

D. 217,307 4/1970 Grange D15/69

D. 250,649 12/1978 Hirano D15/70
D. 281,429 11/1985 Kuroki D15/69
3,570,430 3/1971 Fresard 112/63 X
4,099,474 7/1978 Hamlett et al. 112/258

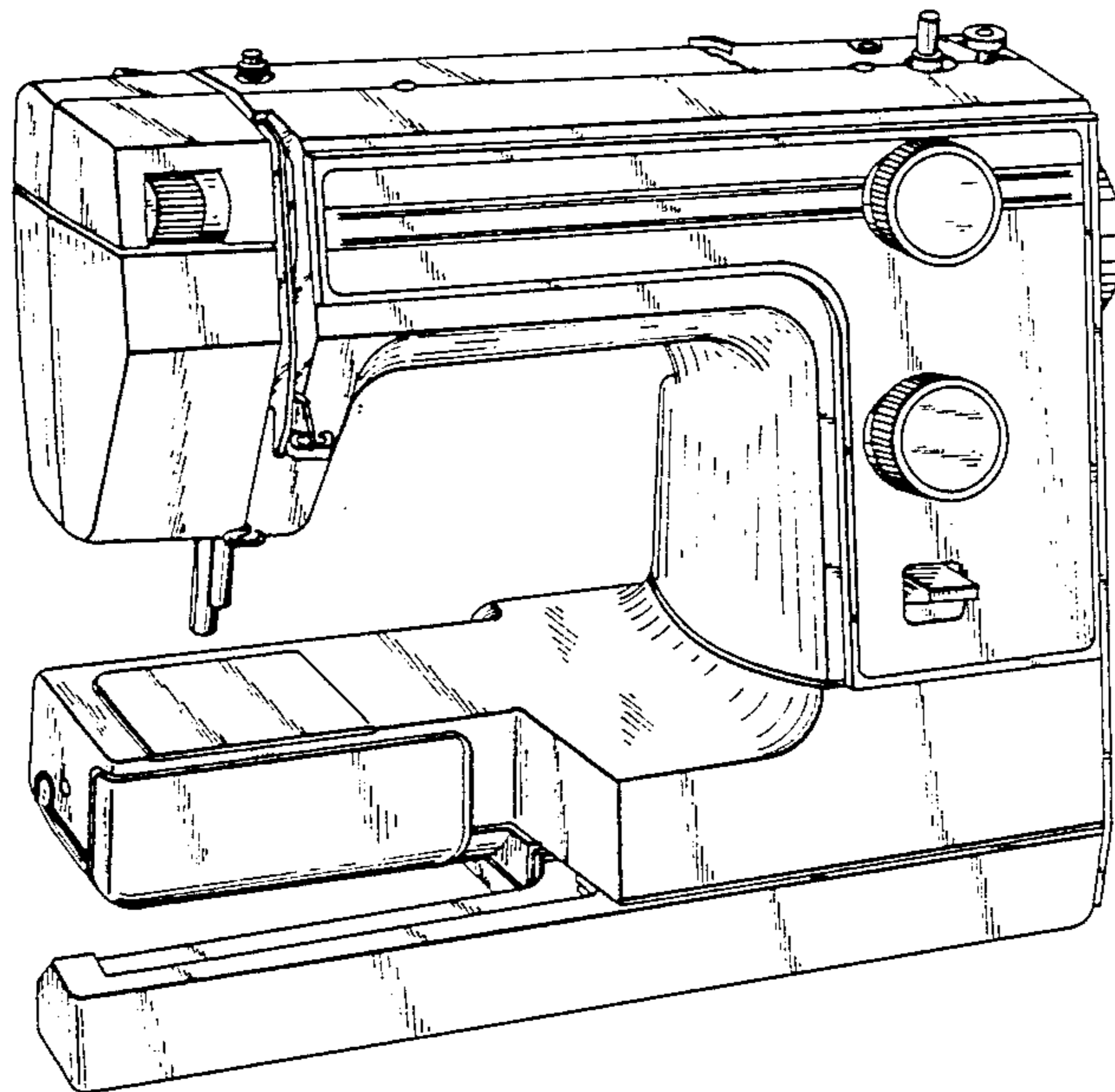
Primary Examiner—Bernard Ansher
Assistant Examiner—Linda Titolo
Attorney, Agent, or Firm—Michael J. Striker

[57] CLAIM

The ornamental design for a sewing machine, as shown and described.

DESCRIPTION

FIG. 1 is a front perspective view of a sewing machine, showing my new design;
FIG. 2 is a front elevational view thereof;
FIG. 3 is a rear elevational view thereof;
FIG. 4 is a top plan view thereof;
FIG. 5 is a bottom plan view thereof;
FIG. 6 is a left side elevational view thereof; and
FIG. 7 is a right side elevational view thereof.



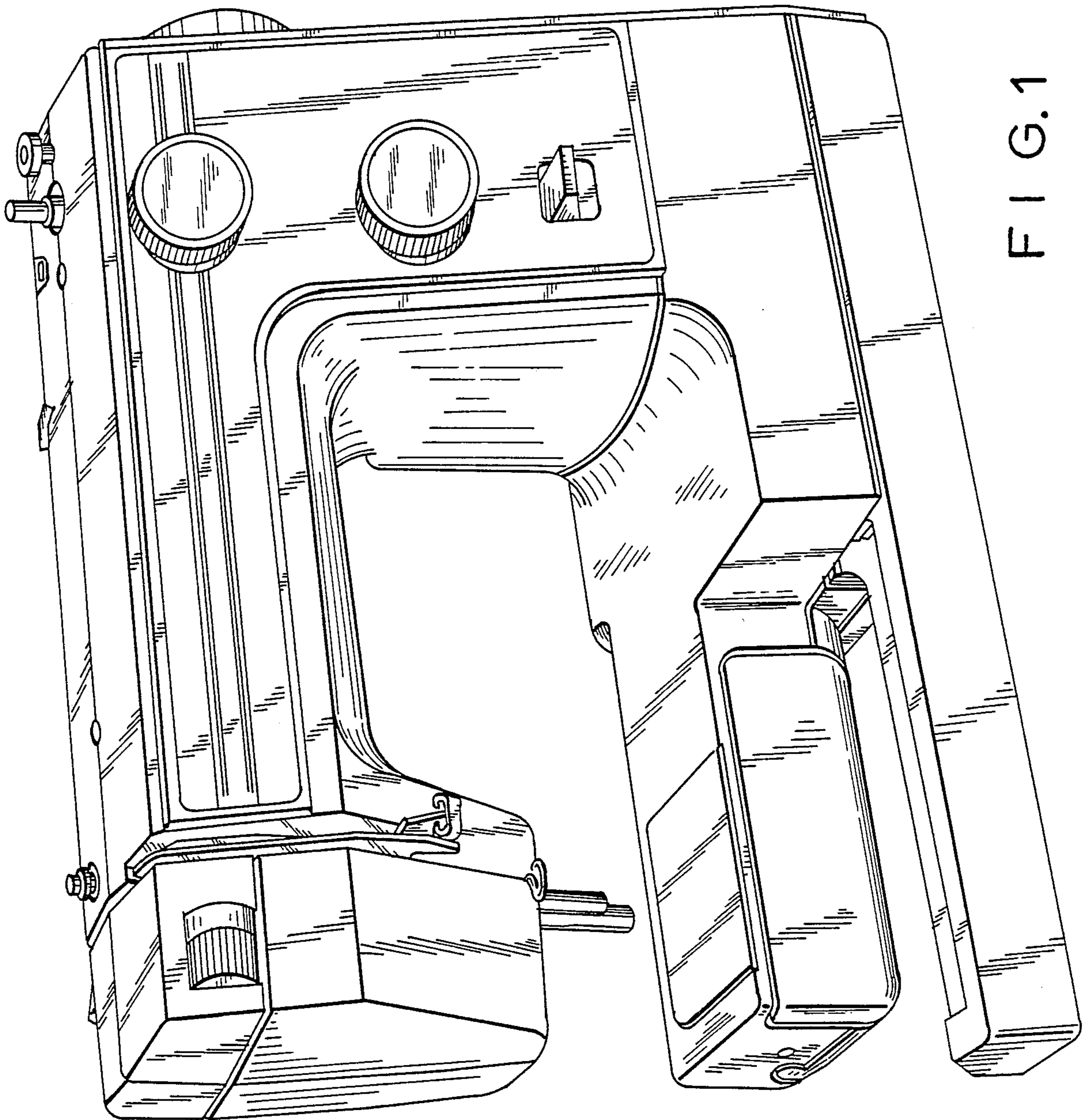


FIG. 1

FIG. 2

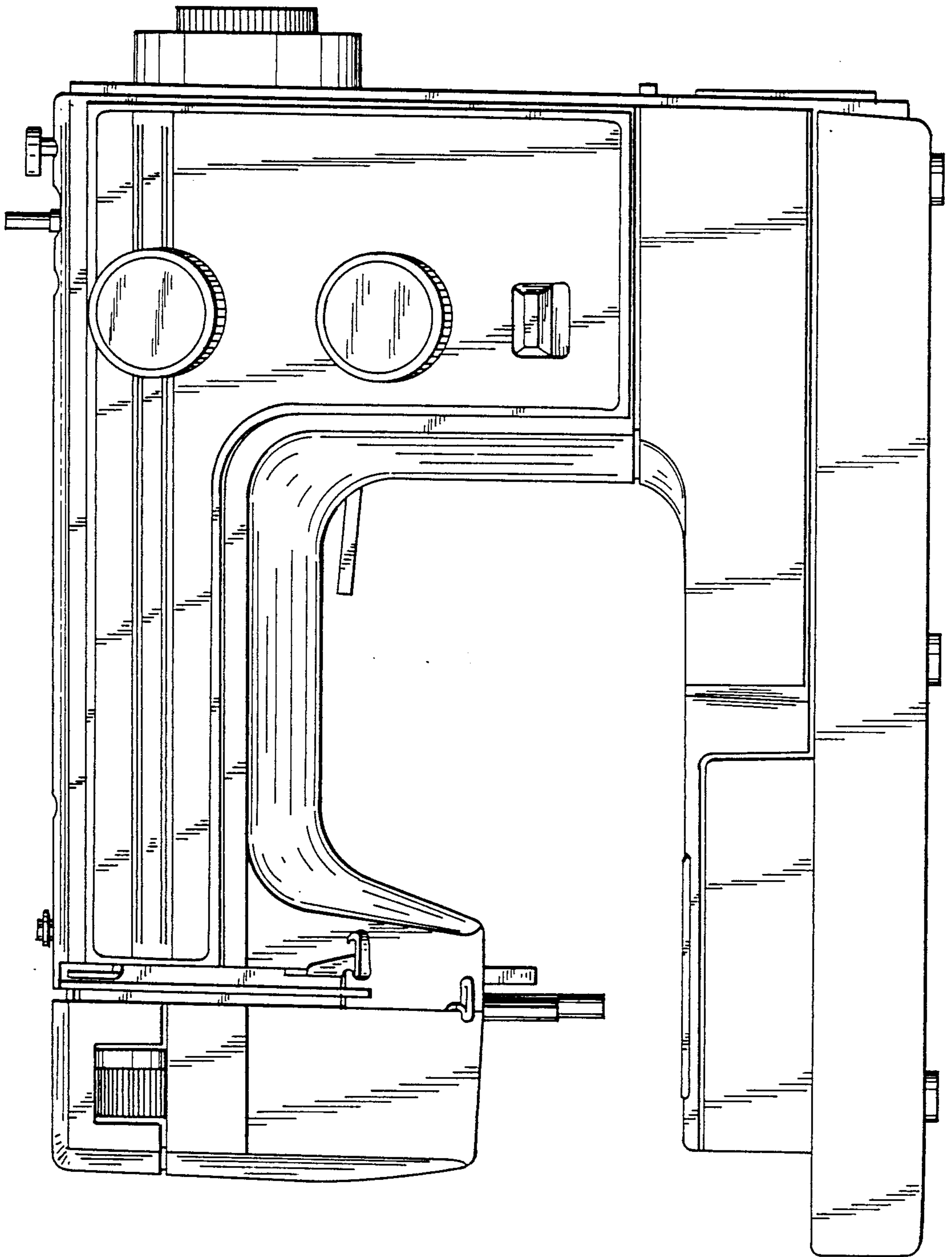


FIG. 3

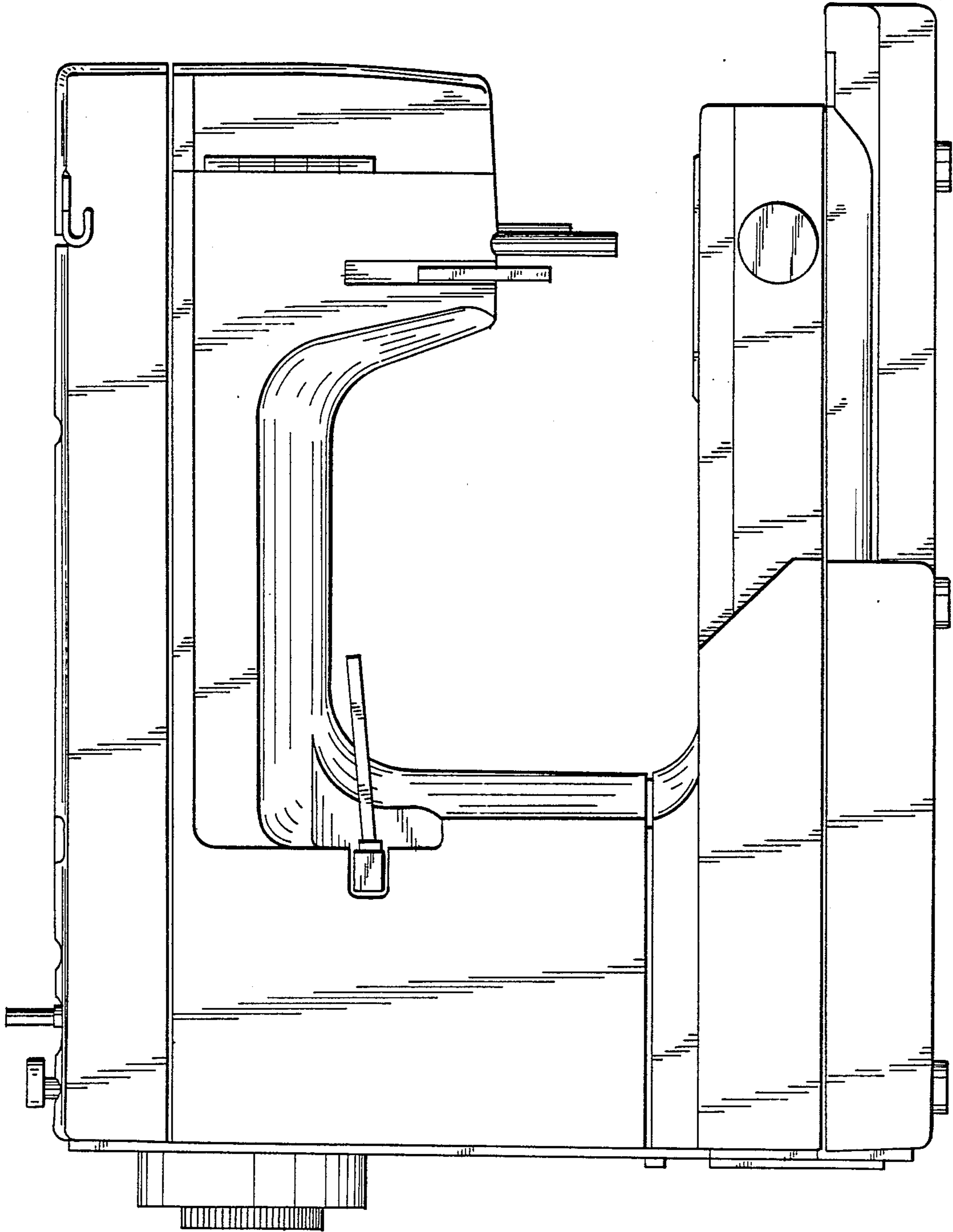


FIG. 4

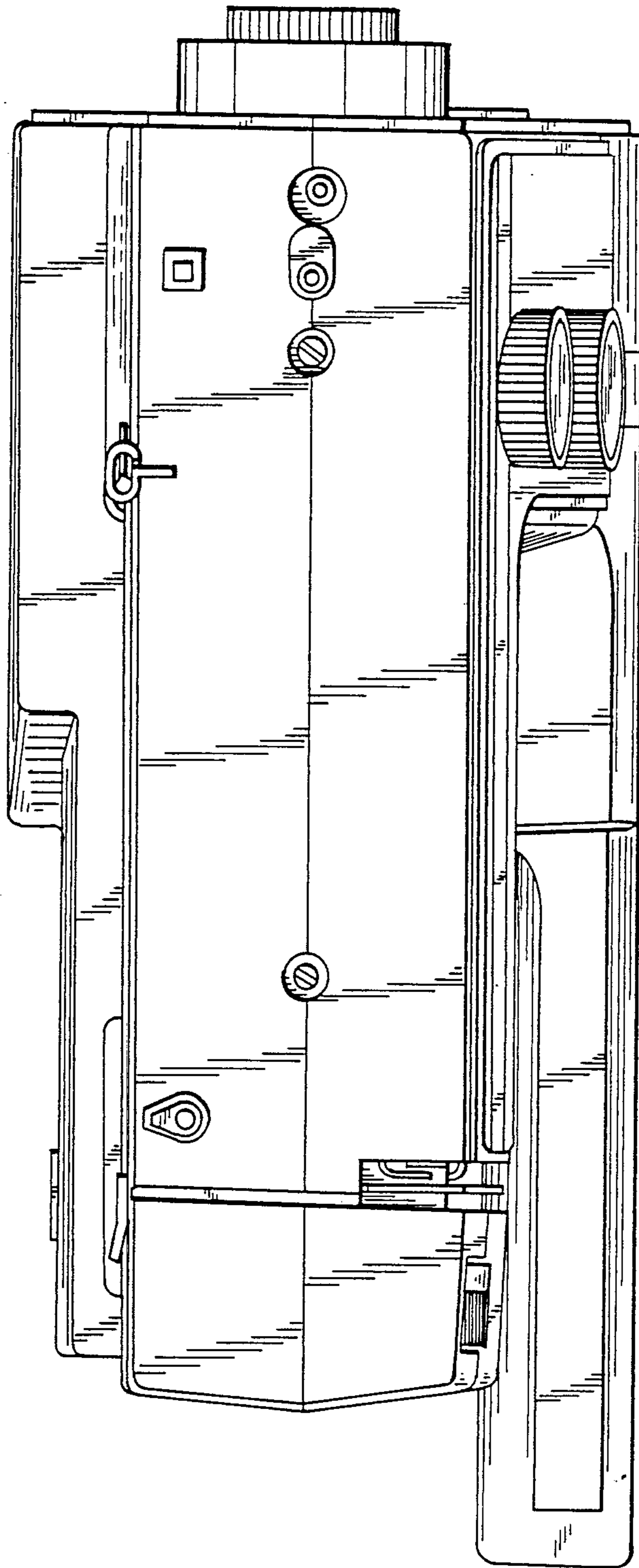


FIG. 5

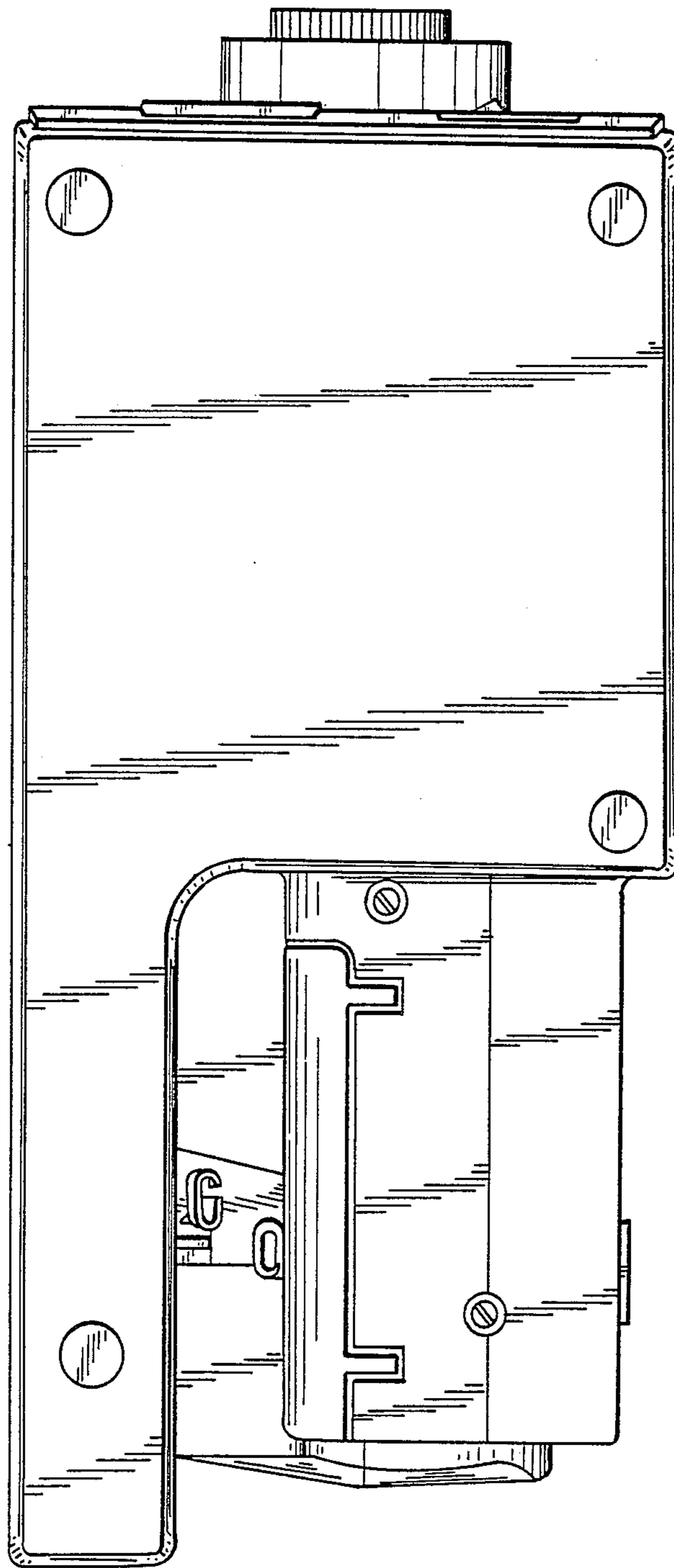


FIG. 6

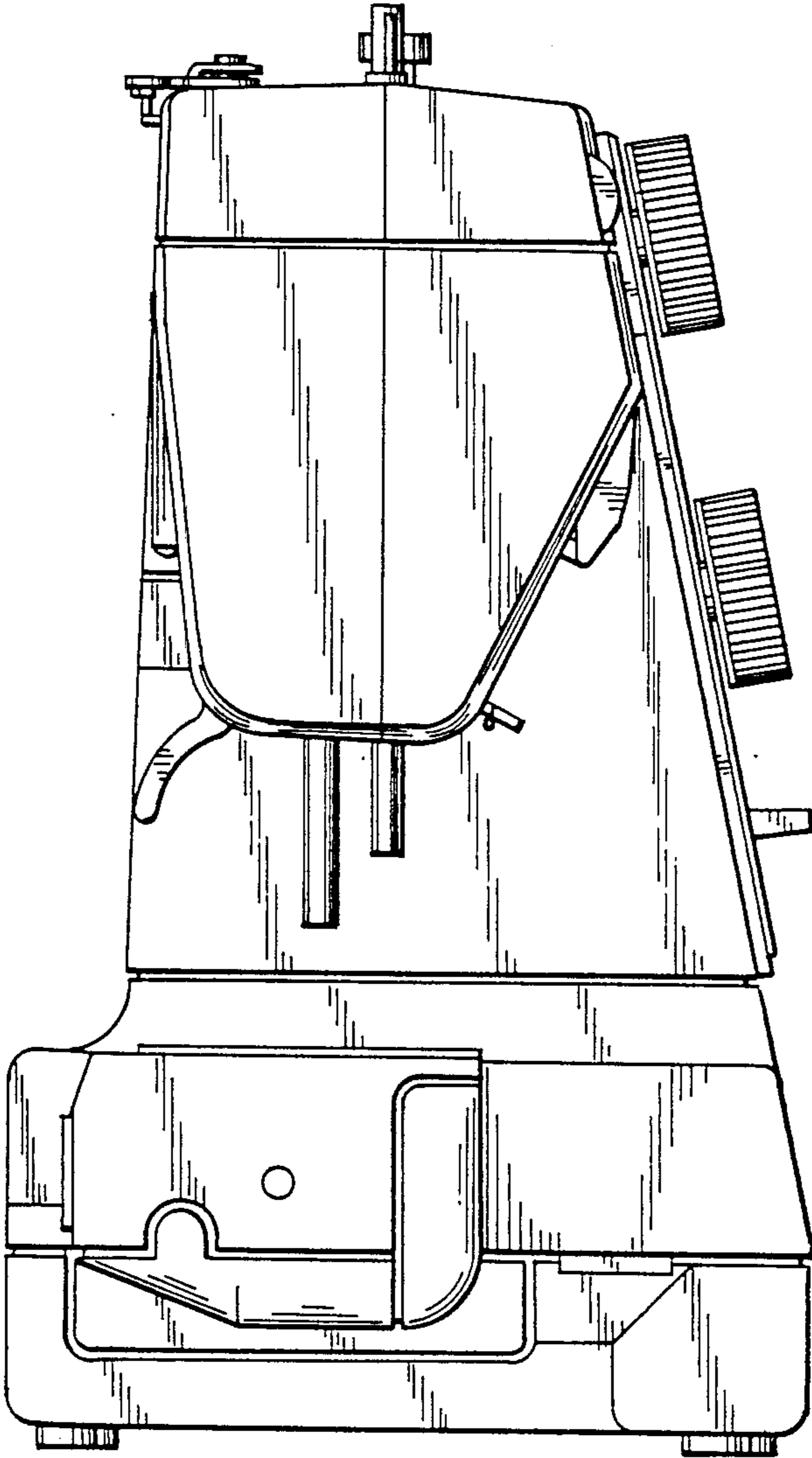


FIG. 7

