

United States Patent [19]

George et al.

[11] Patent Number: Des. 293,112

[45] Date of Patent: ** Dec. 8, 1987

[54] **PROTOCOL ANALYZER**

[75] Inventors: Peter George, Mt. Sinai; Michael Paloian, Babylon Village, both of N.Y.

[73] Assignee: Diversified Technology Partners, Ltd-1982

[**] Term: 14 Years

[21] Appl. No.: 711,773

[22] Filed: Mar. 8, 1985

[52] U.S. Cl. D14/106; D14/100

[58] Field of Search D14/100, 101, 106, 107, D14/114; 340/365 R, 711; 364/708

[56] **References Cited**

U.S. PATENT DOCUMENTS

D. 270,731 9/1983 MacDonald et al. D14/106
D. 279,475 7/1985 Papajohn D14/106

OTHER PUBLICATIONS

Byte, 9-1983, p. 226, Corona Portable PC Computer.

Computer Design, 7-1983, p. 63, Hewlett Packard Logic Analyzer.

Primary Examiner—Susan J. Lucas
Attorney, Agent, or Firm—Seidel, Gonda, Goldhammer & Abbott

[57] **CLAIM**

The ornamental design for a protocol analyzer, substantially as shown and described.

DESCRIPTION

FIG. 1 is a perspective view of a protocol analyzer showing our new design with the keyboard exposed; FIG. 2 is a top plan view thereof on an enlarged scale; FIG. 3 is a front elevational view thereof on an enlarged scale; FIG. 4 is a bottom plan view thereof on an enlarged scale; FIG. 5 is a rear elevational view thereof on an enlarged scale; FIG. 6 is a side elevational view thereof on an enlarged scale; FIG. 7 is an opposite side elevational view thereof on an enlarged scale; and FIG. 8 is a perspective view thereof with the keyboard closed.

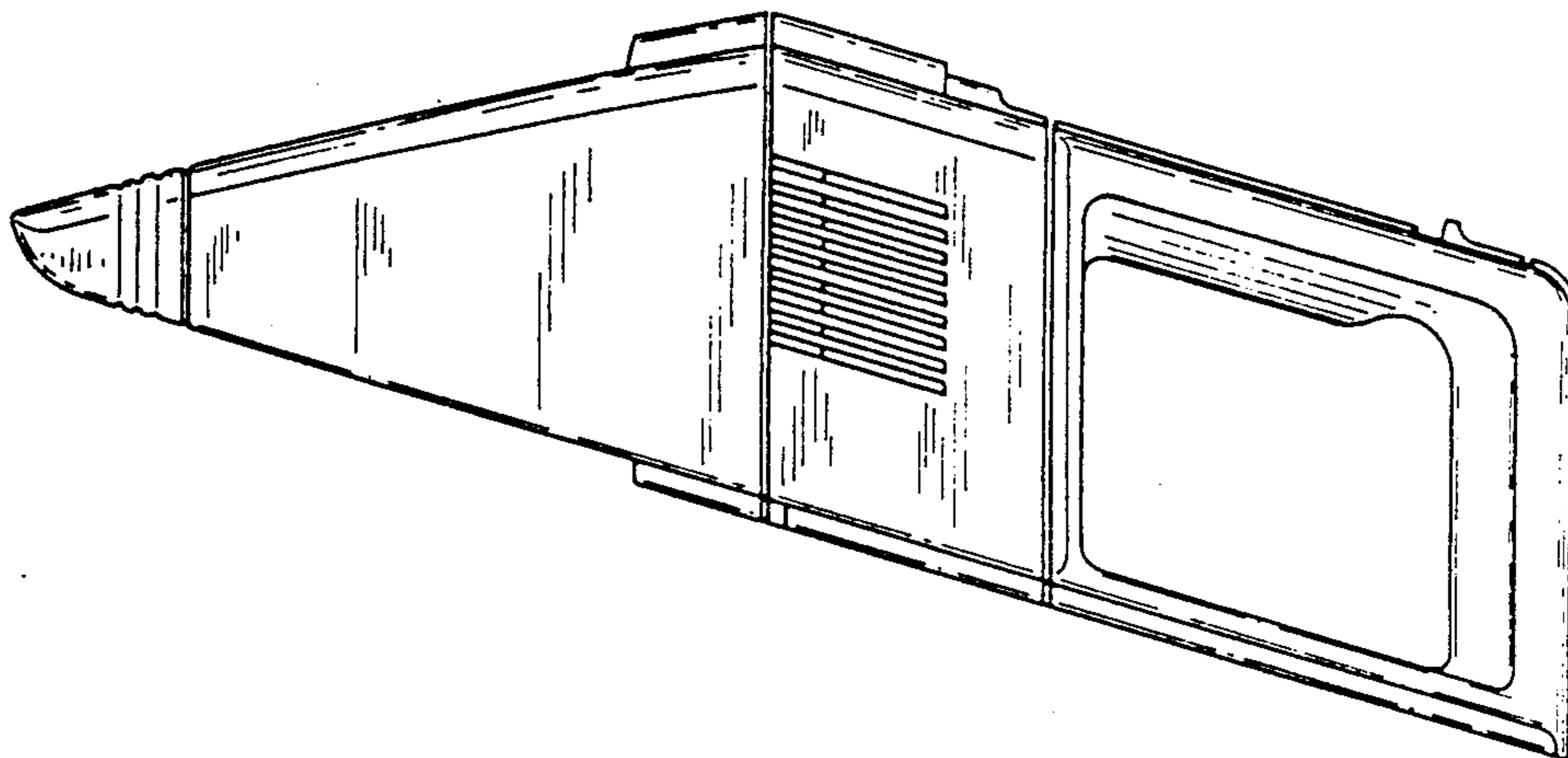


FIG. 1

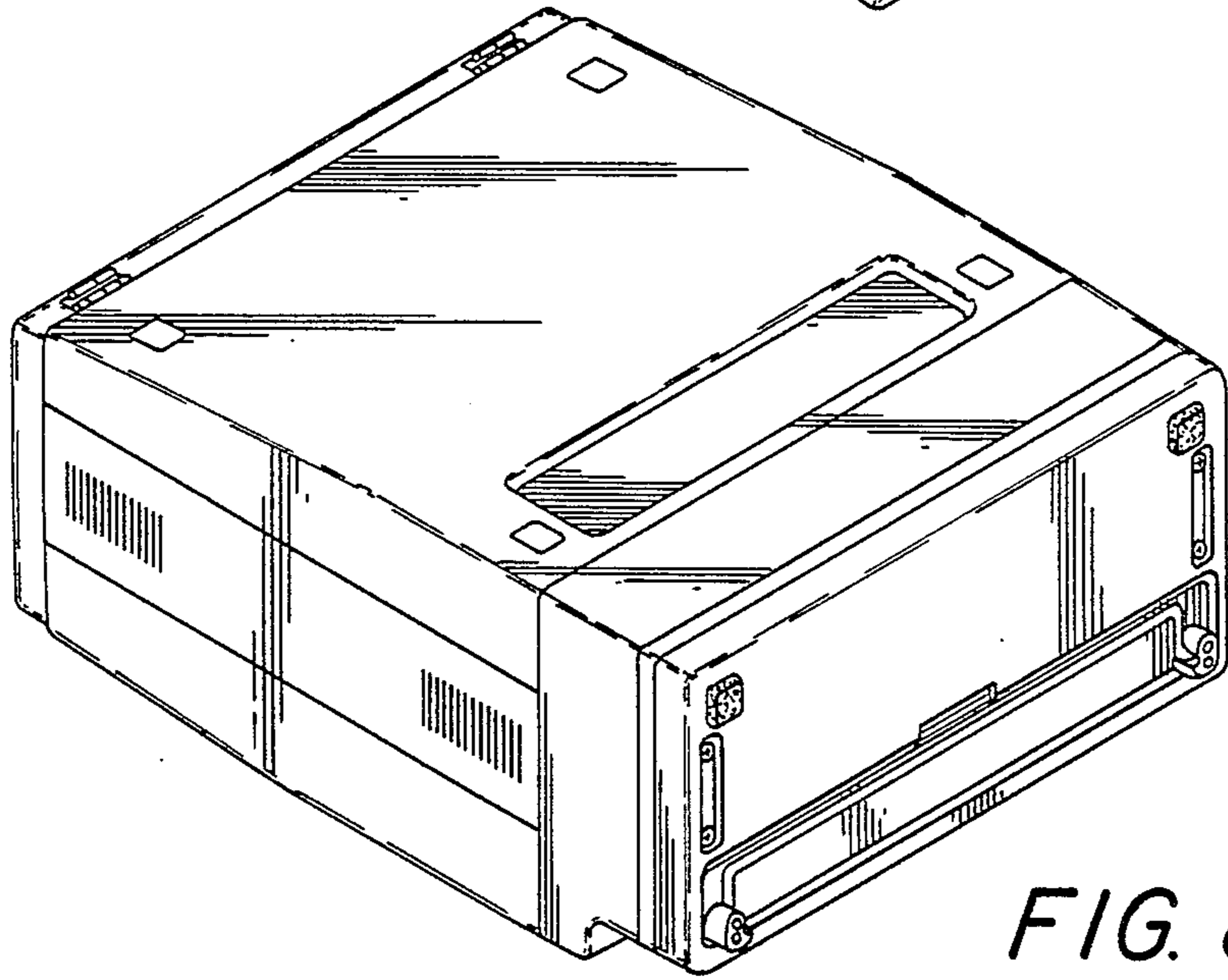
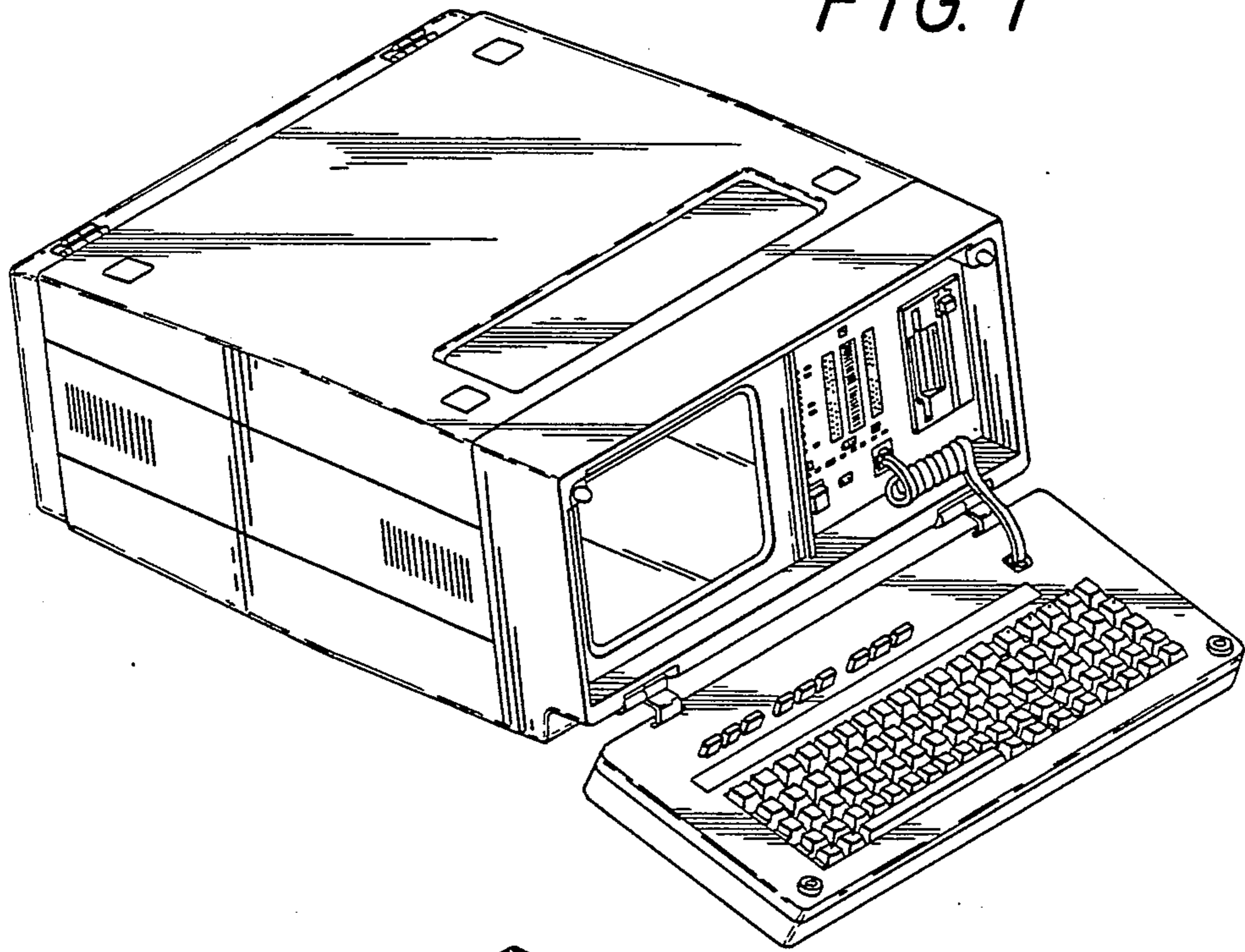


FIG. 8

FIG. 2

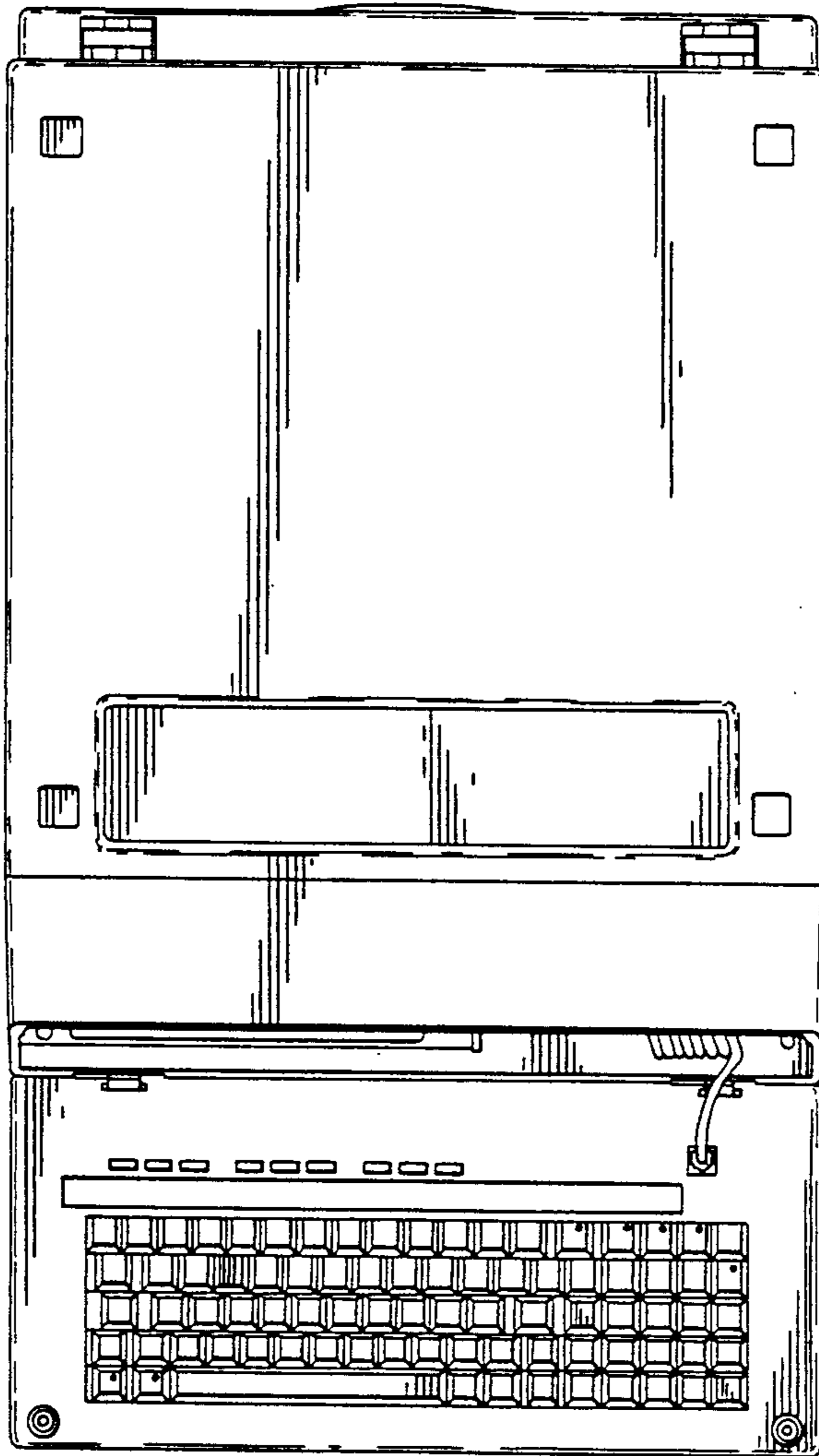


FIG. 3

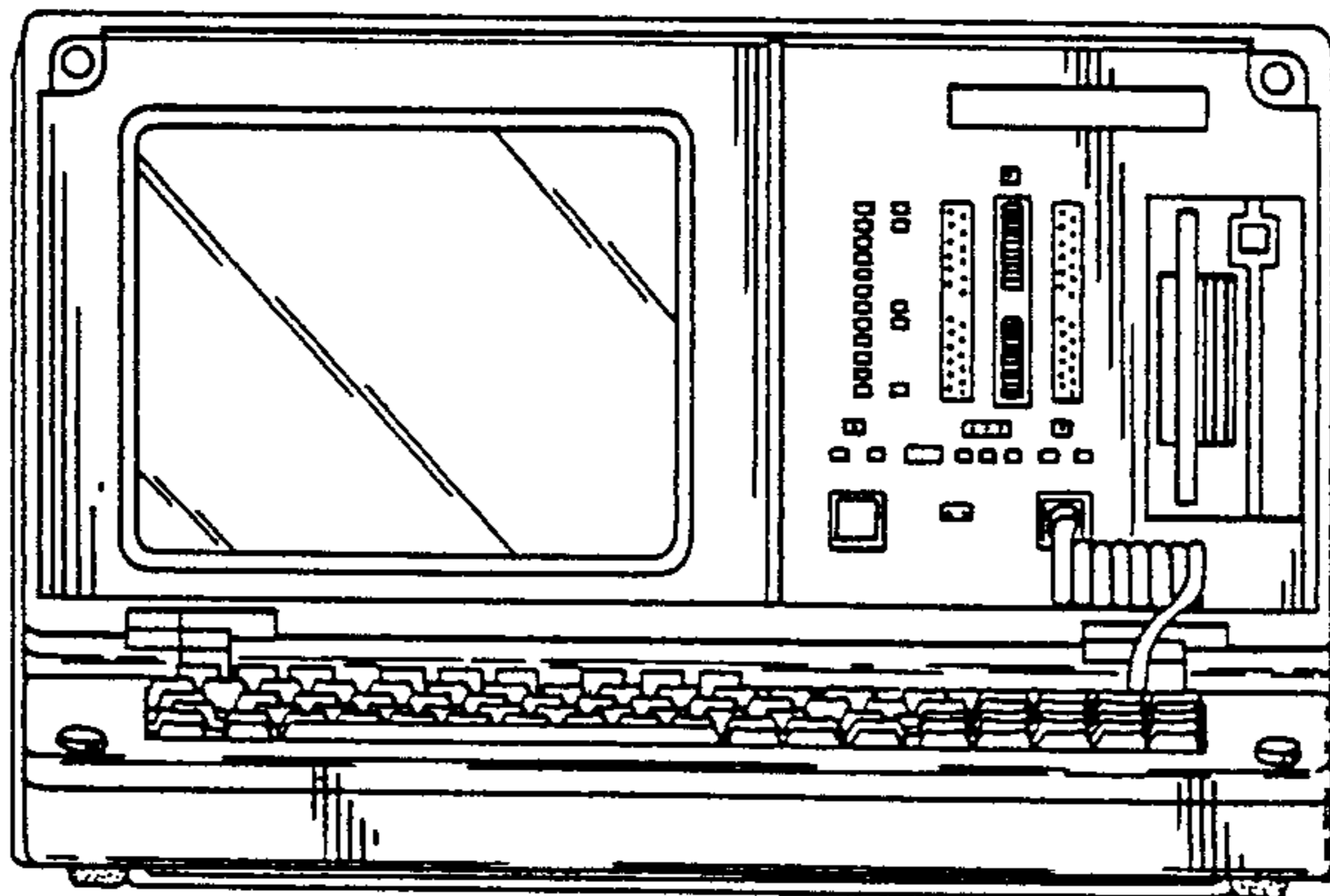


FIG. 4

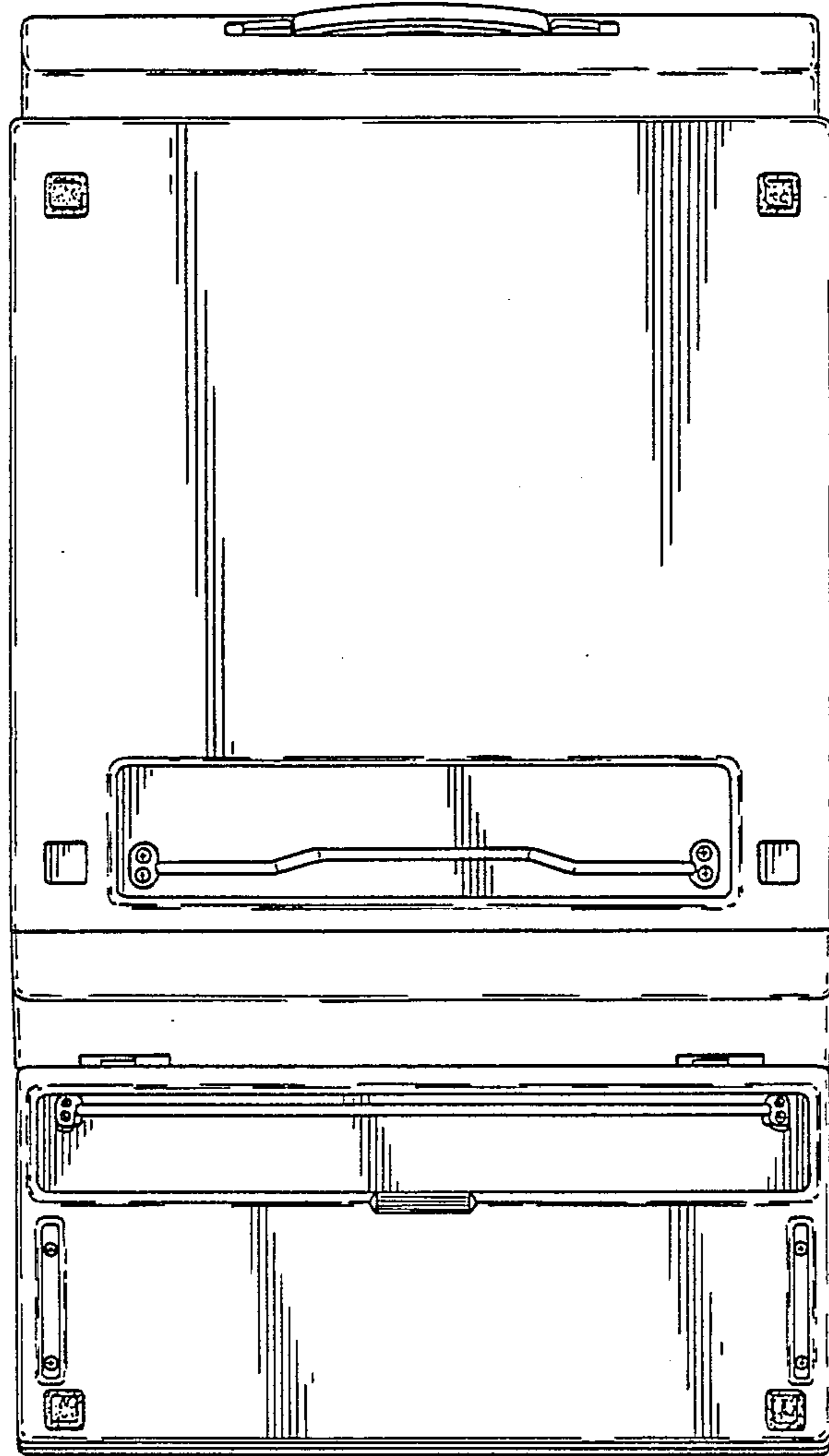
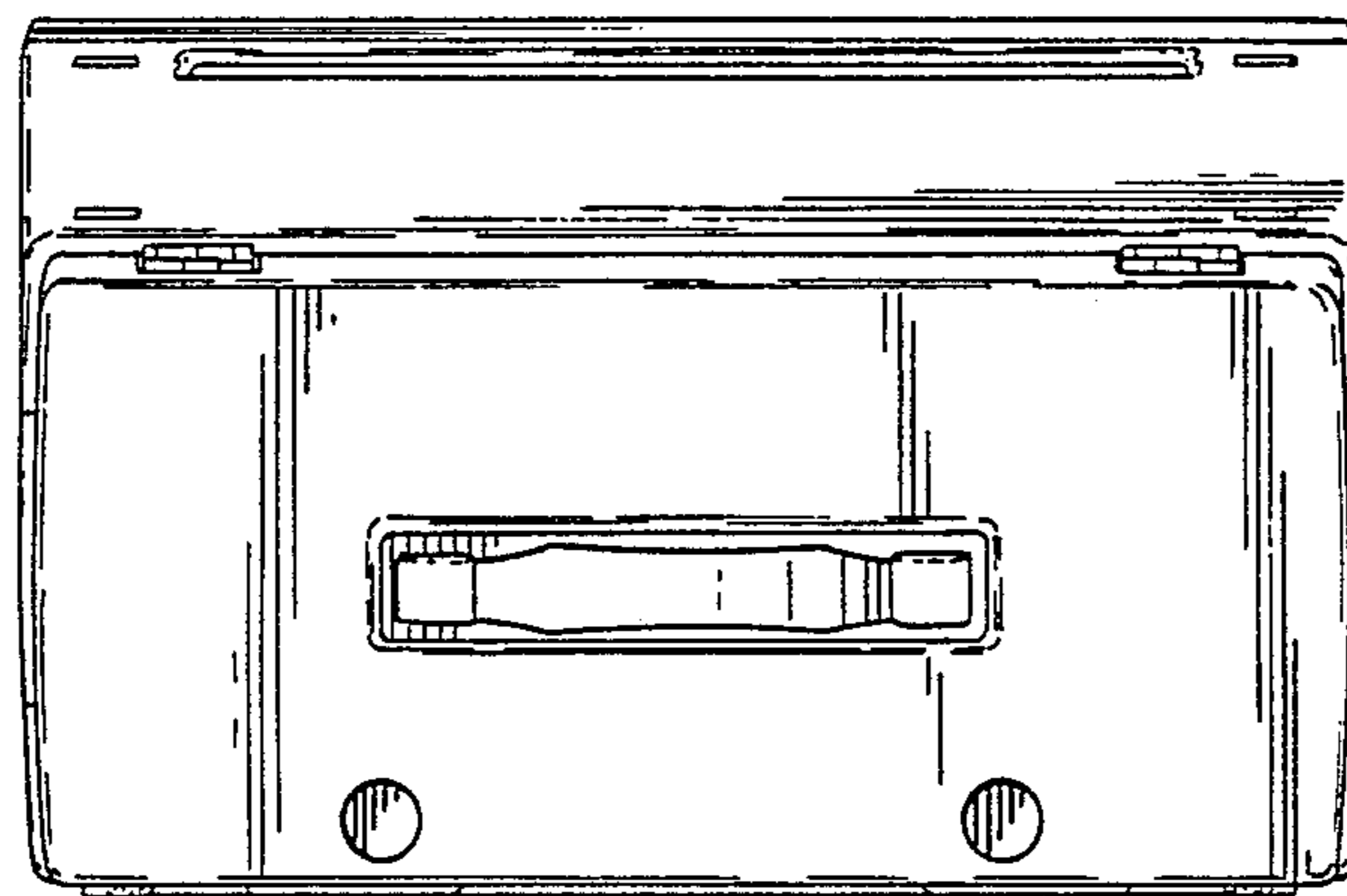


FIG. 5



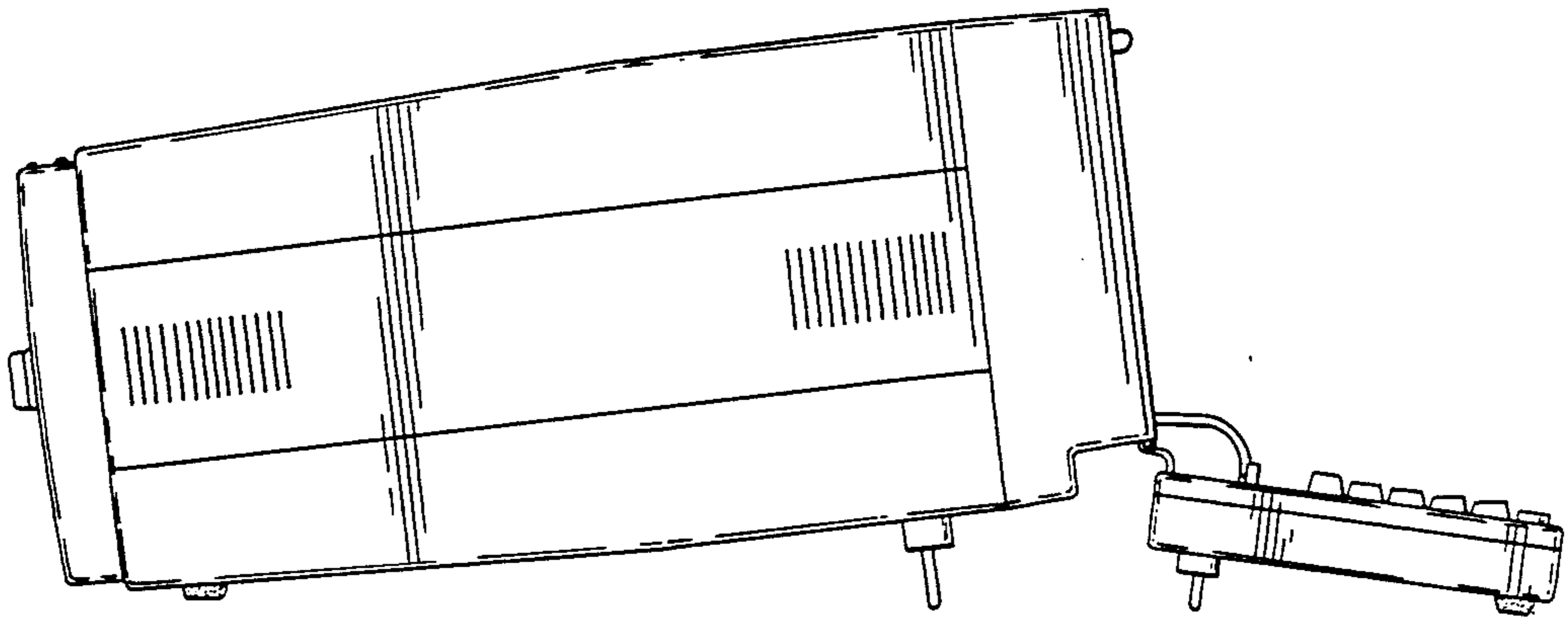


FIG. 6

FIG. 7

