

# United States Patent [19]

George et al.

[11] Patent Number: Des. 293,110

[45] Date of Patent: \*\* Dec. 8, 1987

[54] **PROTOCOL/PERFORMANCE ANALYZER**

[75] Inventors: Peter George, Mt. Sinai; Michael Paloian, Babylon Village, both of N.Y.

[73] Assignee: Diversified Technology Partners, Ltd.-1982

[\*] Notice: The portion of the term of this patent subsequent to Dec. 8, 2001 has been disclaimed.

[\*\*] Term: 14 Years

[21] Appl. No.: 711,772

[22] Filed: Mar. 8, 1985

[52] U.S. Cl. .... D14/100

[58] Field of Search ..... D14/100, 101, 106, 107, D14/114; 340/365 R, 711; 364/708; 361/331, 380, 381, 390-394; D13/40, 41

[56] **References Cited**

**U.S. PATENT DOCUMENTS**

D. 270,731 9/1983 MacDonald et al. .... D14/106  
D. 279,475 7/1985 Papajohn ..... D14/106

**OTHER PUBLICATIONS**

Byte, 9-1983, p. 226, Corona Portable PC Computer.

Computer Design, 7-1983, p. 63, Hewlett Packard Logic Analyzer.

*Primary Examiner*—Susan J. Lucas  
*Attorney, Agent, or Firm*—Seidel, Gonda, Goldhammer & Abbott

[57] **CLAIM**

The ornamental design for a protocol/performance analyzer, substantially as shown and described.

**DESCRIPTION**

FIG. 1 is a perspective view of a protocol/performance analyzer showing our new design with the keyboard exposed;

FIG. 2 is a top plan view thereof on an enlarged scale; FIG. 3 is a front elevational view thereof on an enlarged scale;

FIG. 4 is a bottom plan view thereof on an enlarged scale;

FIG. 5 is a rear elevational view thereof on an enlarged scale;

FIG. 6 is a side elevational view thereof on an enlarged scale;

FIG. 7 is an opposite side elevational view thereof on an enlarged scale; and

FIG. 8 is a perspective view thereof with the keyboard closed.

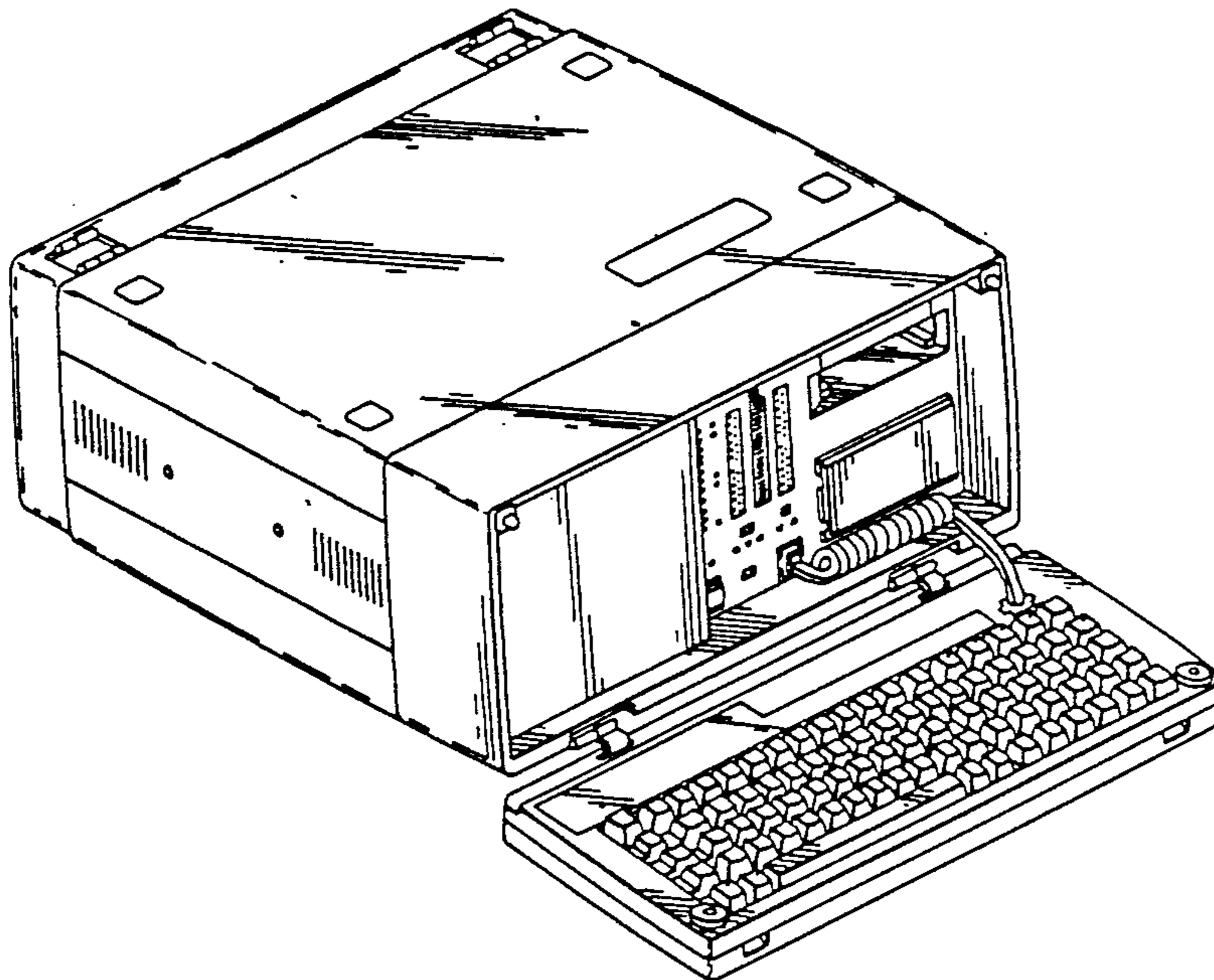


FIG. 1

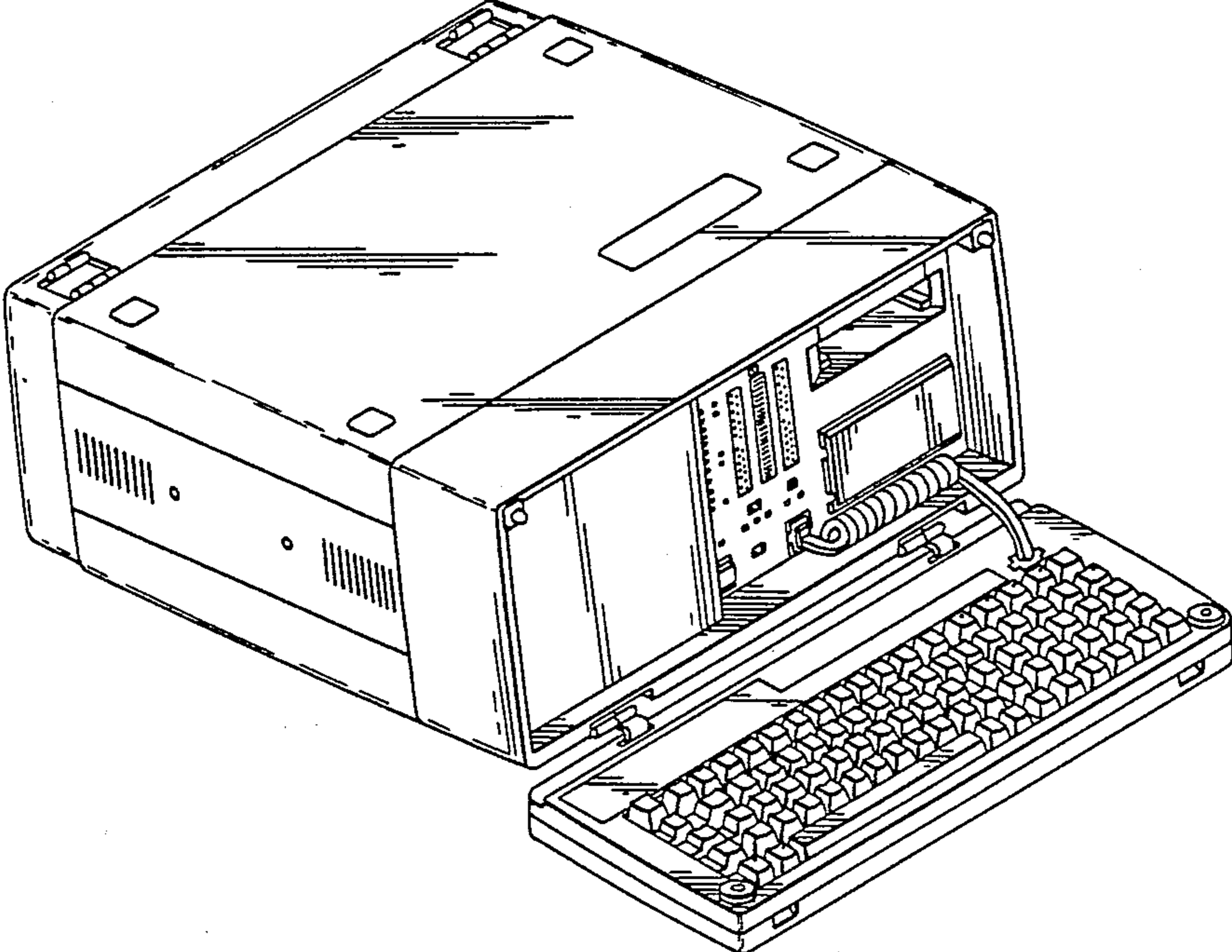
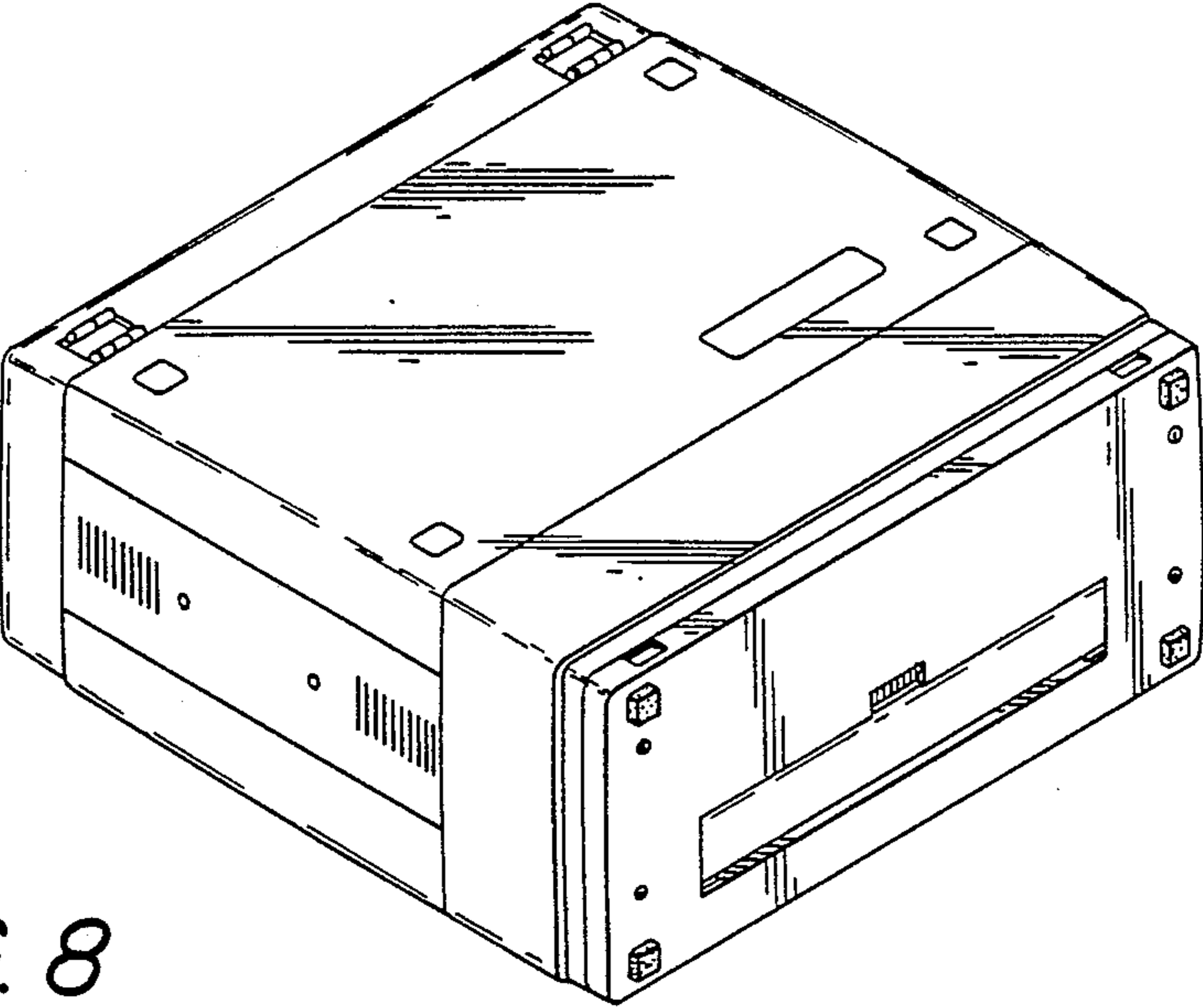


FIG. 8



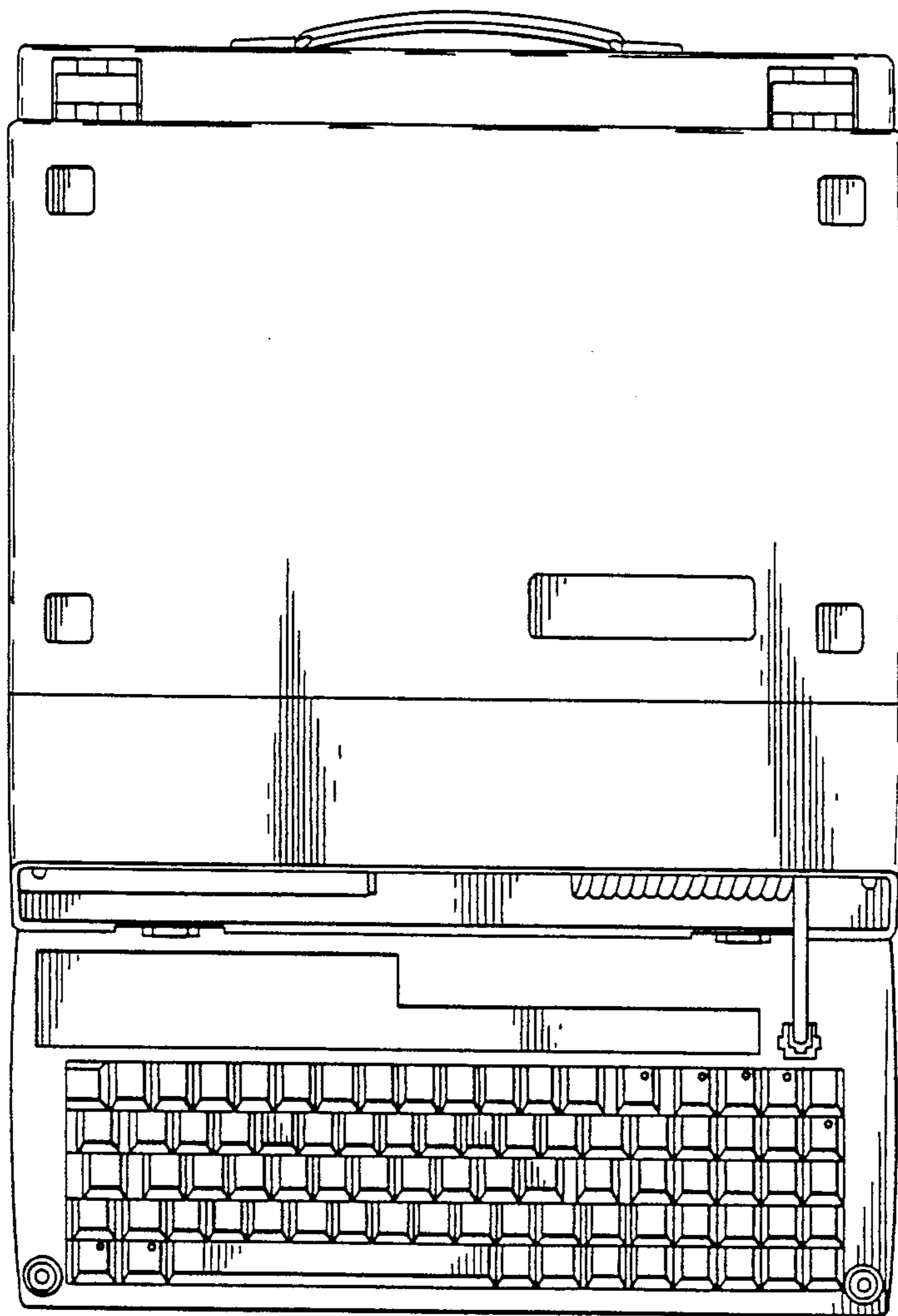


FIG. 2

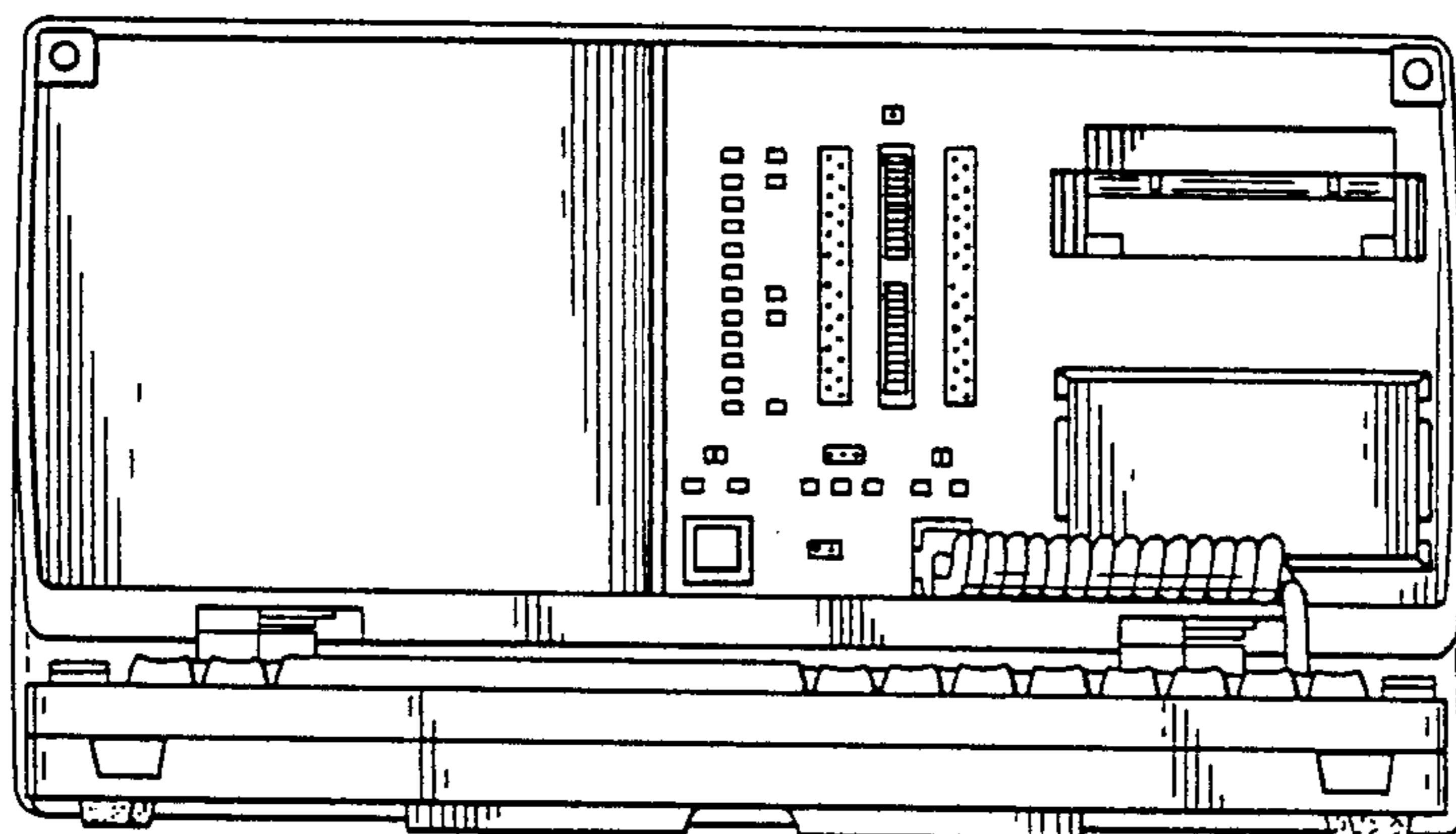


FIG. 3

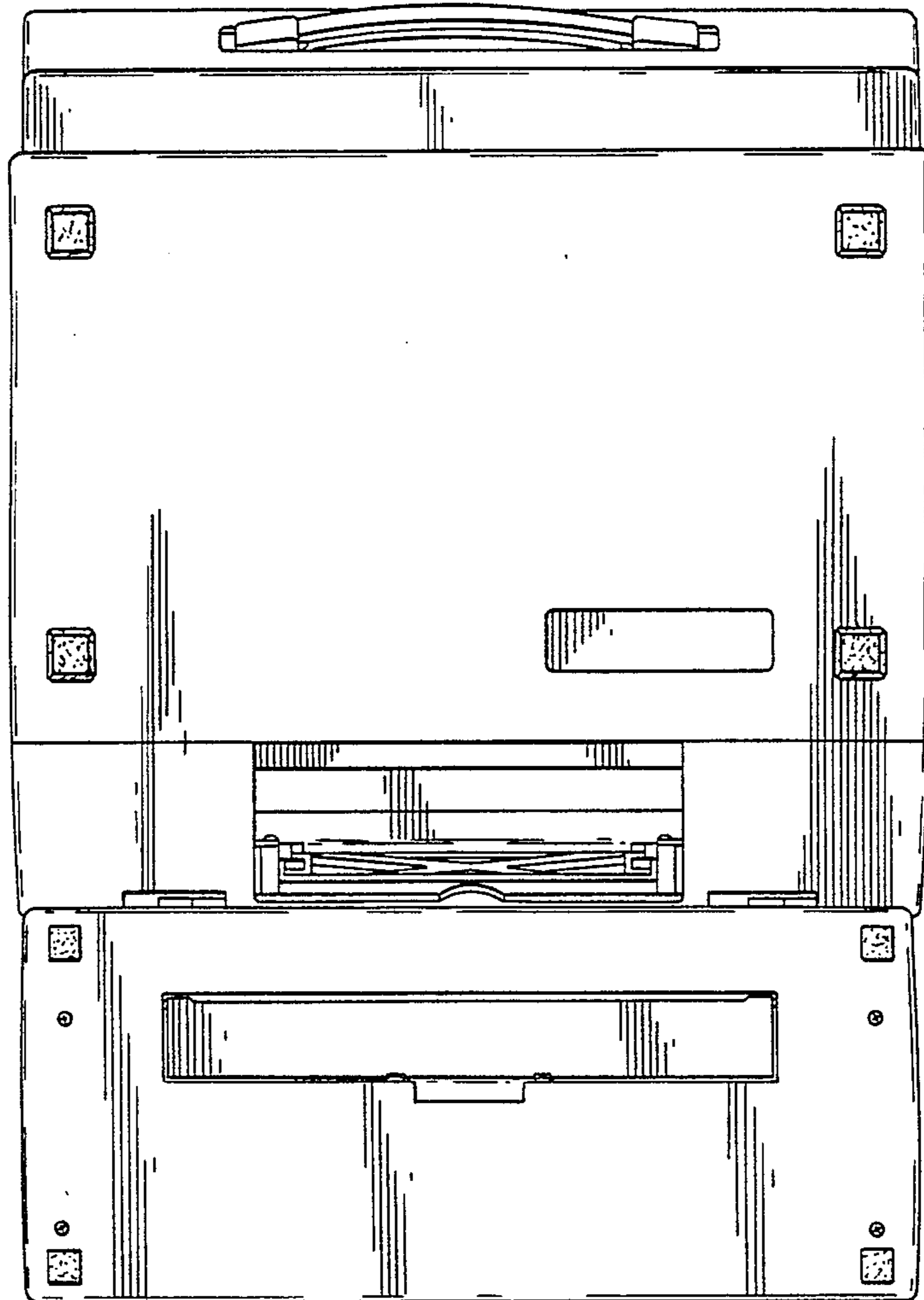
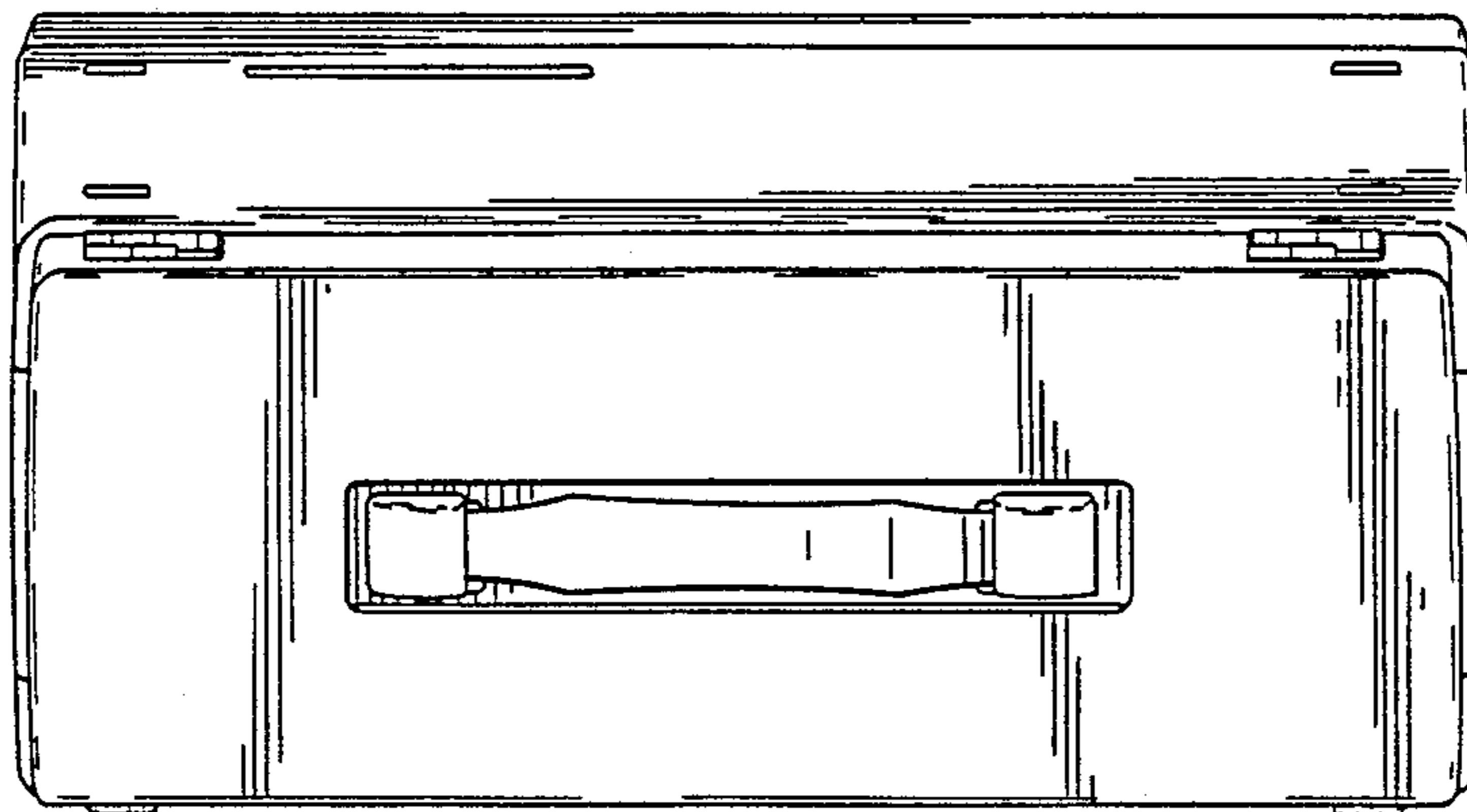


FIG. 4

FIG. 5



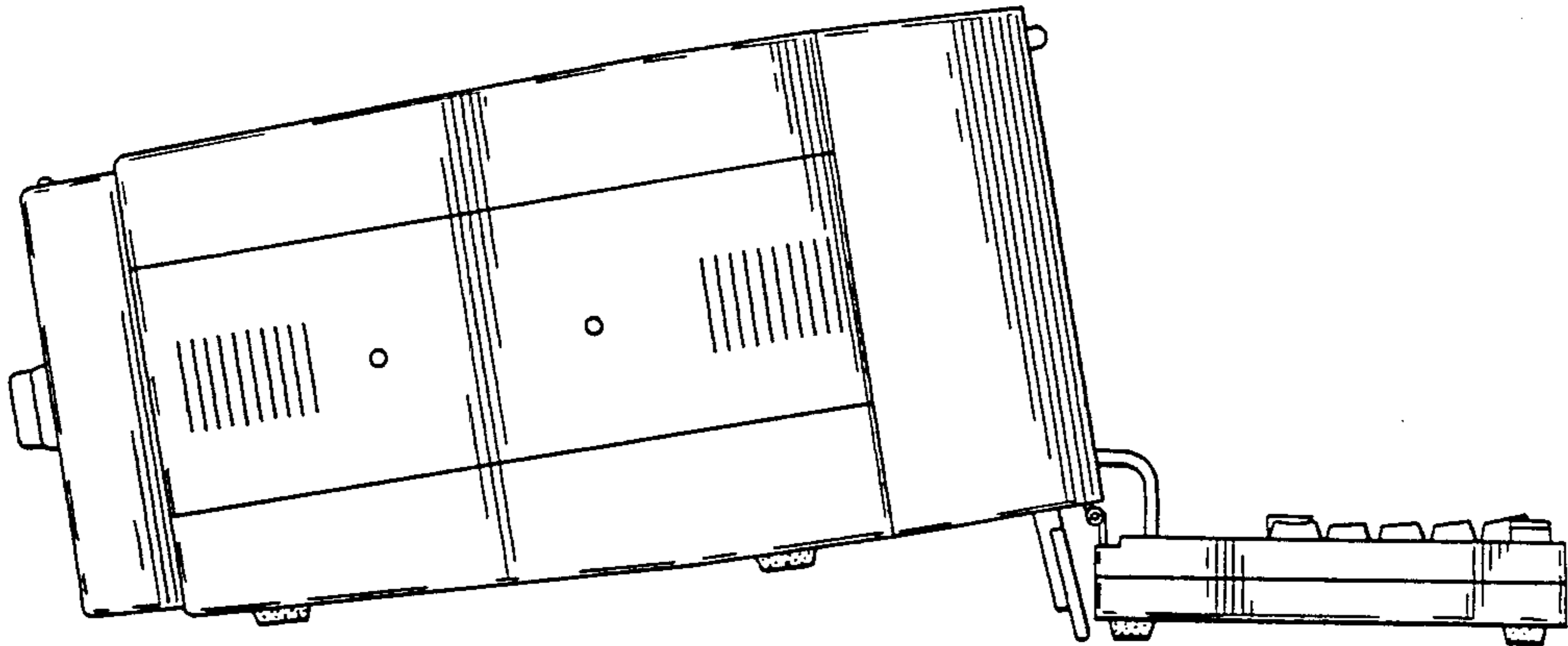


FIG. 6

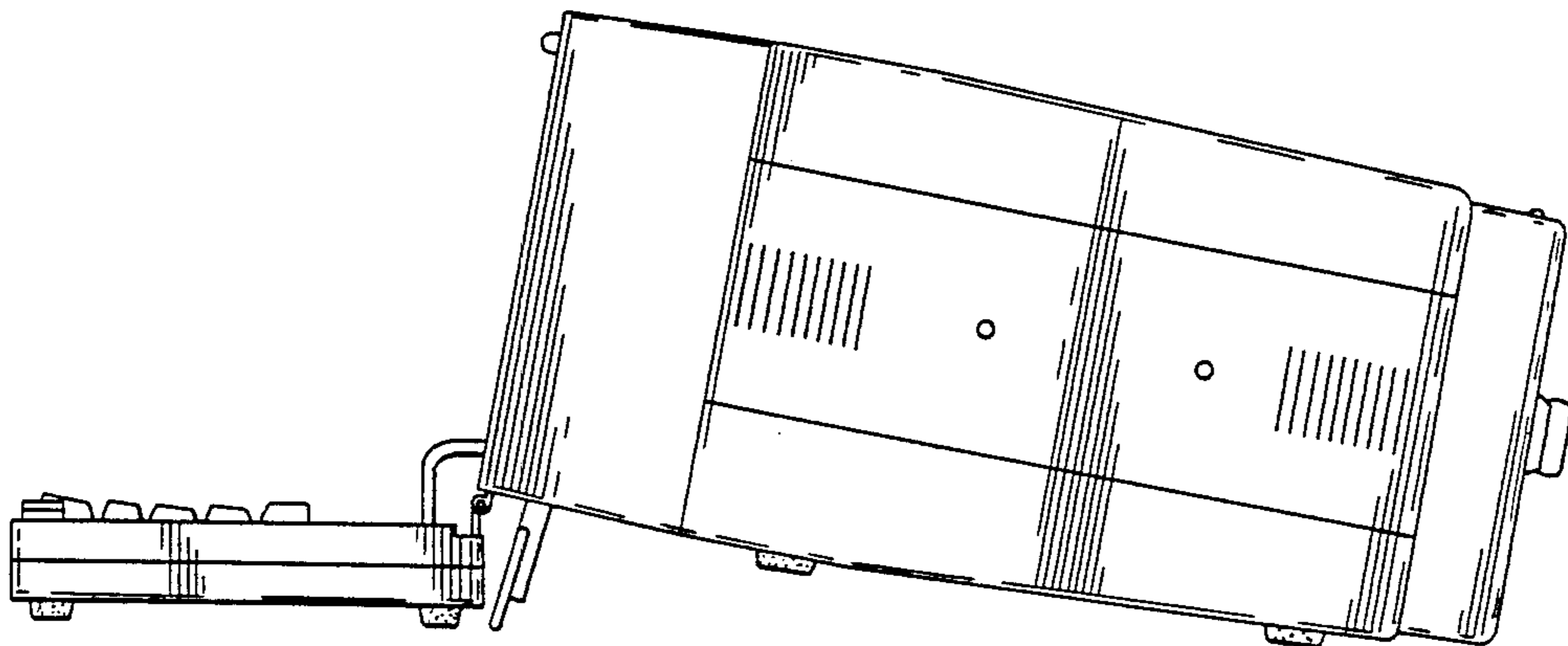


FIG. 7