

United States Patent [19]
Müller

[11] **Patent Number: Des. 293,107**
[45] **Date of Patent: ** Dec. 8, 1987**

- [54] **RADIO**
- [75] **Inventor: Peter Müller, Baar, Switzerland**
- [73] **Assignee: AS Electronics AG, Baar, Switzerland**
- [**] **Term: 14 Years**
- [21] **Appl. No.: 792,732**
- [22] **Filed: Oct. 28, 1985**
- [30] **Foreign Application Priority Data**
Apr. 26, 1985 [WO] World Int. Prop. O. DM/005184
- [52] **U.S. Cl. D14/68; D14/36**
- [58] **Field of Search D14/1, 5, 7, 36, 68-76, D14/95, 99; 455/73, 89, 90, 344, 347, 350, 351; 381/25, 68, 68.7, 69.2, 183, 187; 379/430; 181/129**
- [56] **References Cited**
U.S. PATENT DOCUMENTS
D. 174,053 2/1955 Norris D14/68

- D. 232,767 9/1974 Stevens D14/68
D. 272,904 3/1984 Kawano D14/36 X
D. 279,186 6/1985 Tung et al. D14/68
D. 284,859 7/1986 Okada D14/68
3,826,987 7/1974 Stevens 381/187 X

Primary Examiner—Bernard Ansher
Assistant Examiner—Theodore M. Shooman
Attorney, Agent, or Firm—Wenderoth, Lind & Ponack

[57] **CLAIM**

The ornamental design for a radio, as shown and described.

DESCRIPTION

FIG. 1 is a front, right side and bottom perspective view of a radio showing my new design;
FIG. 2 is a front elevational view thereof;
FIG. 3 is a rear elevational view thereof;
FIG. 4 is a left side elevational view thereof;
FIG. 5 is a right side elevational view thereof;
FIG. 6 is a top plan view thereof; and
FIG. 7 is a bottom plan view thereof.

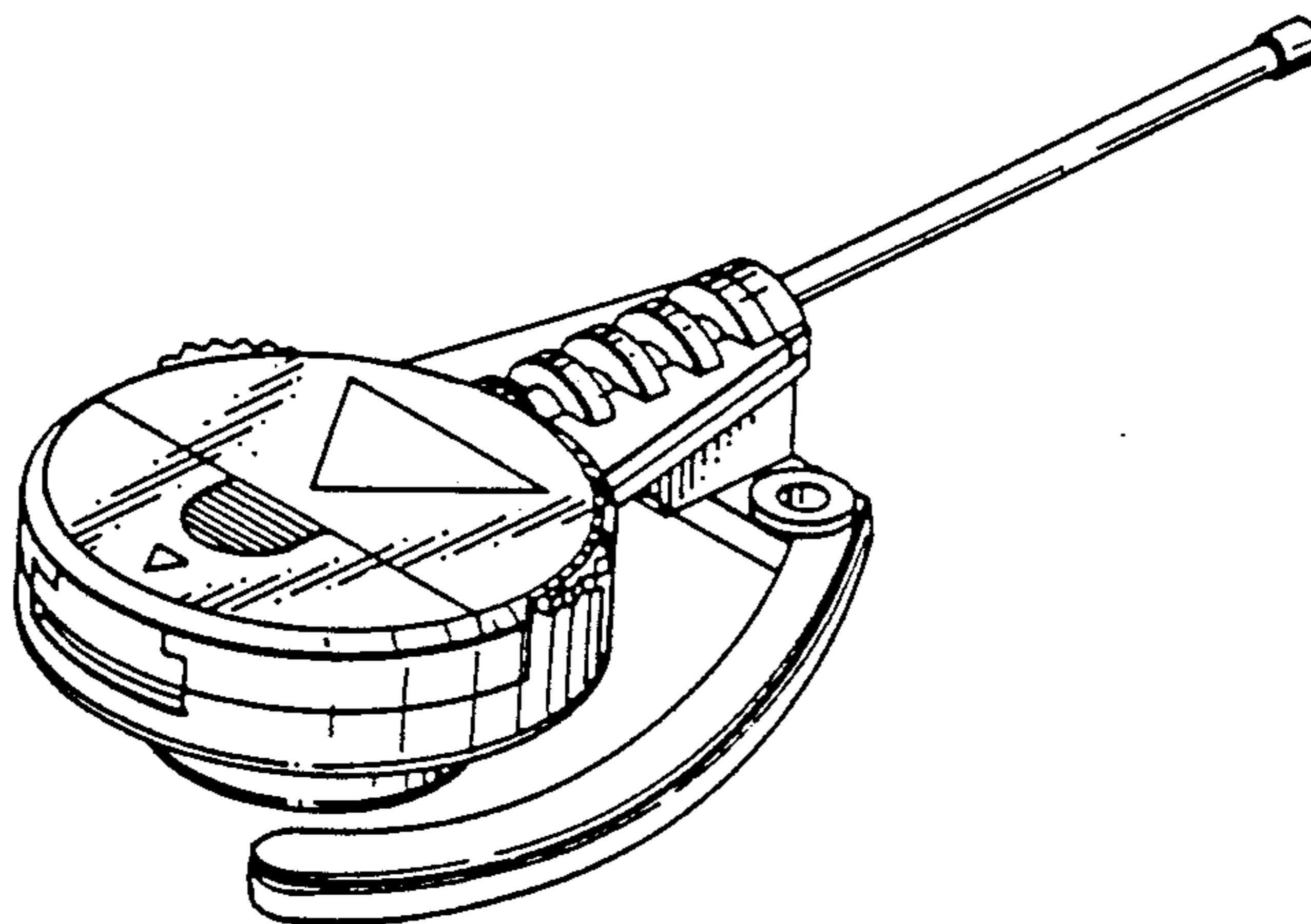


FIG. 1.

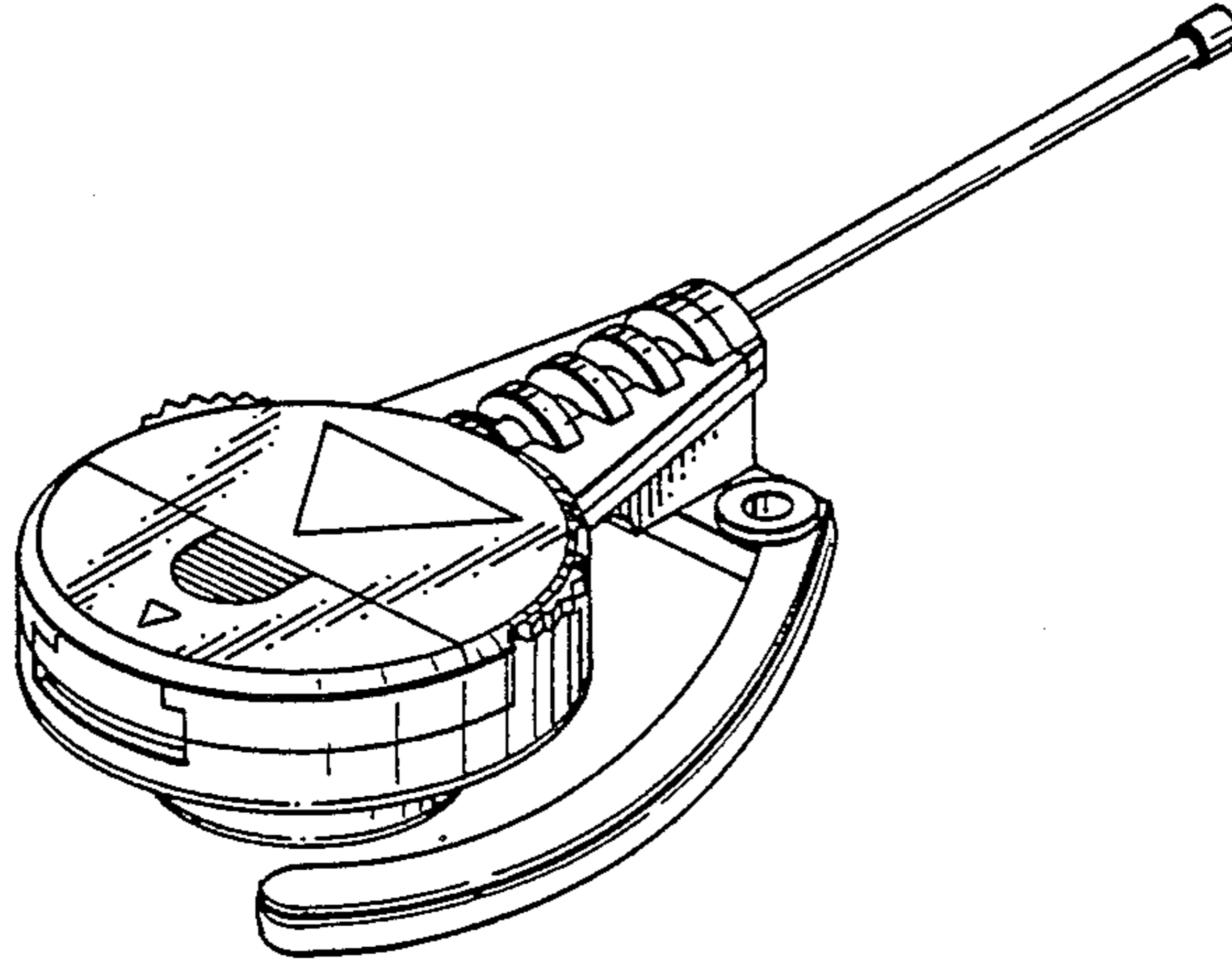


FIG. 2.

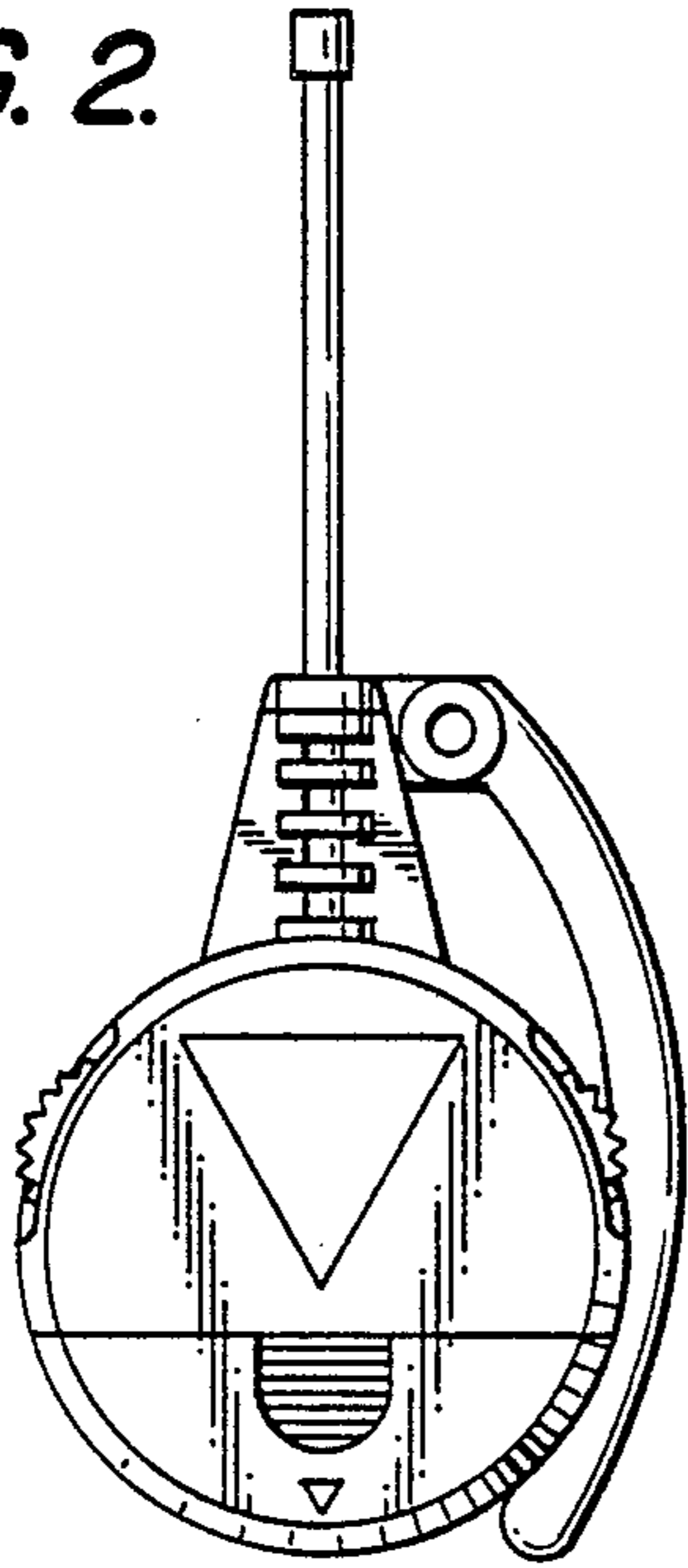


FIG. 3.

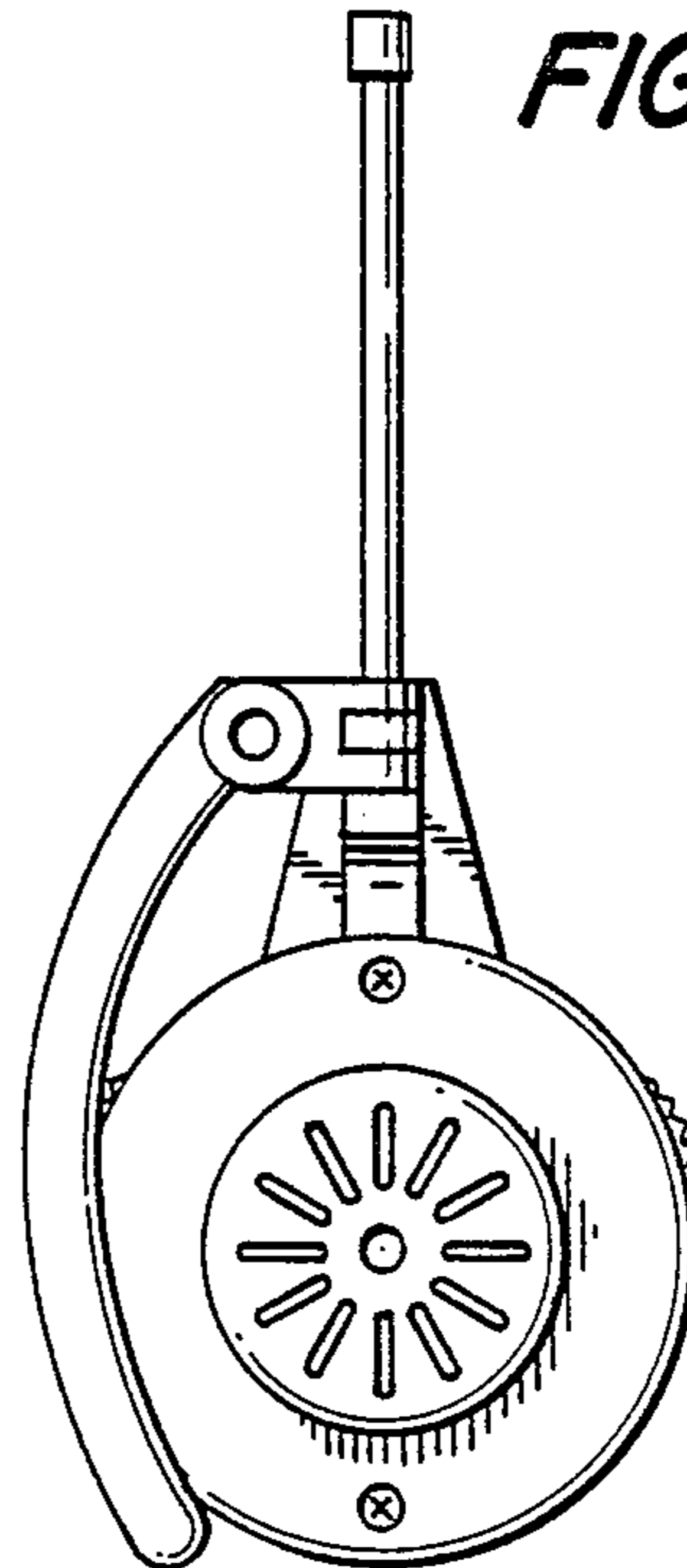


FIG. 4.

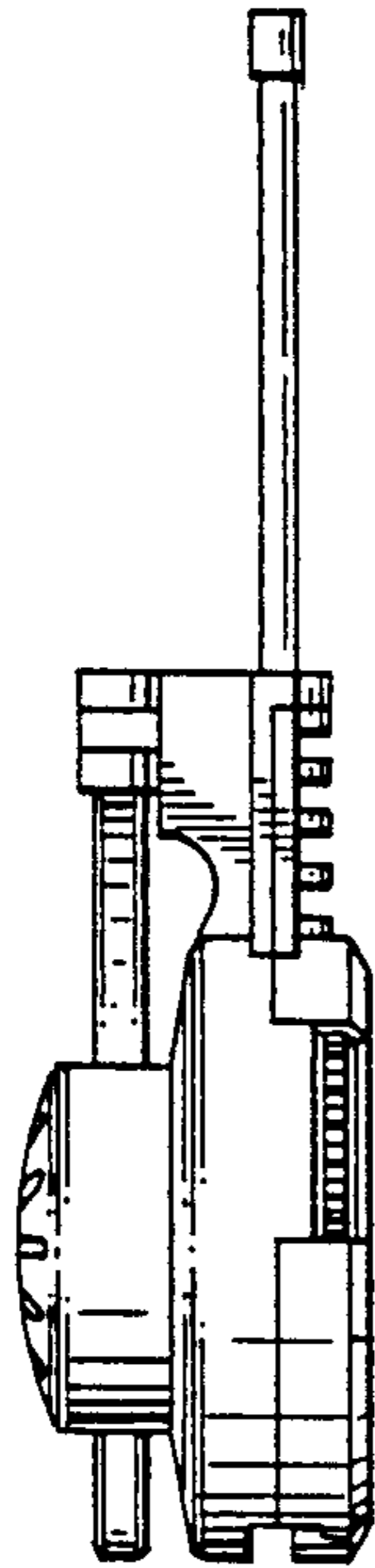


FIG. 5.

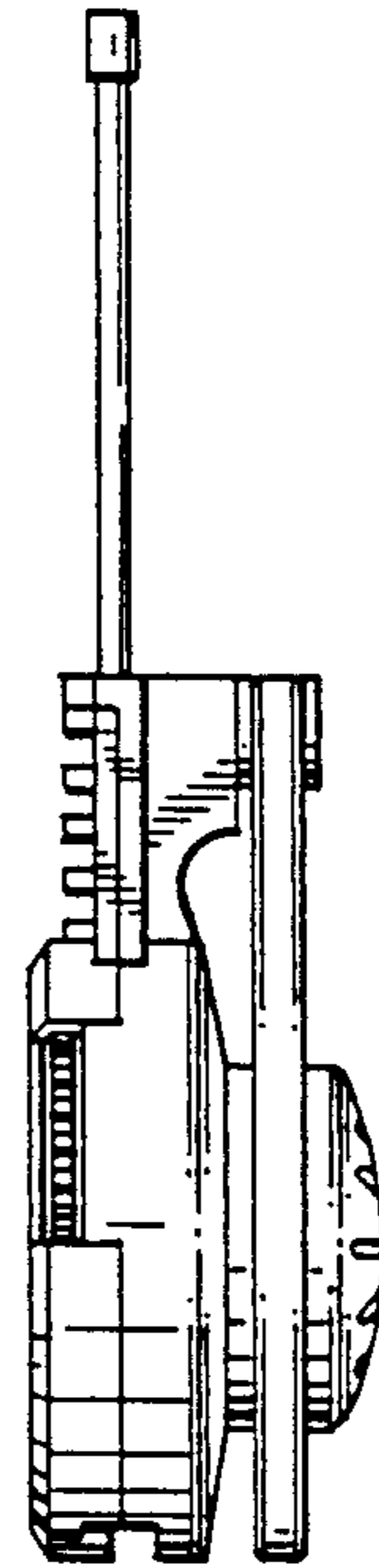


FIG. 6.

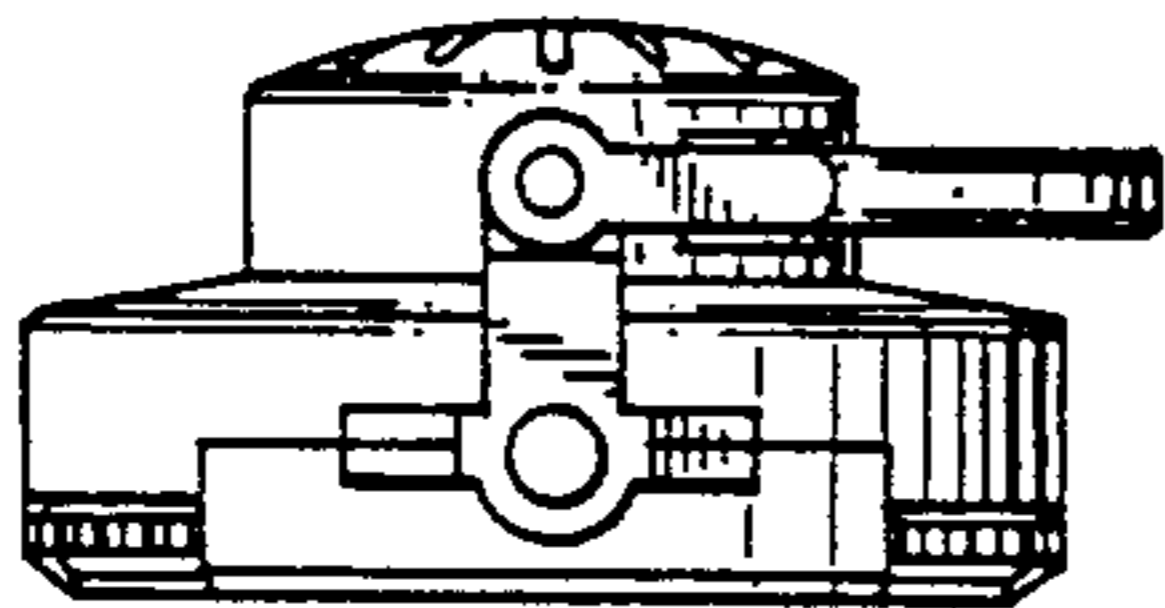


FIG. 7.

