

United States Patent [19]

Fitzpatrick et al.

[11] Patent Number: **Des. 293,099**

[45] Date of Patent: **** Dec. 8, 1987**

[54] **FACEPLATE FOR ELECTRONIC CIRCUIT BOARD**

[75] Inventors: **Michael H. Fitzpatrick**, Sunnyvale, Calif.; **Michael Brown**, Nepean, Canada

[73] Assignee: **Northern Telecom Limited**, Montreal, Canada

[**] Term: **14 Years**

[21] Appl. No.: **699,337**

[22] Filed: **Feb. 7, 1985**

[52] U.S. Cl. **D13/13; D13/24; D8/353**

[58] Field of Search **D13/11-13, D13/20, 23-31, 99; D8/353; 339/17 LC; 174/50, 53, 49, 67; 361/399, 415**

[56] **References Cited**

U.S. PATENT DOCUMENTS

D. 121,273 7/1940 Davis D8/353

D. 246,581 12/1977 De Luca D13/24
D. 264,963 6/1982 McComas D13/12
D. 272,819 2/1984 Bean et al. D13/12
3,461,349 8/1969 Meyer 174/50

Primary Examiner—Wallace R. Burke

Assistant Examiner—C. E. Heflin

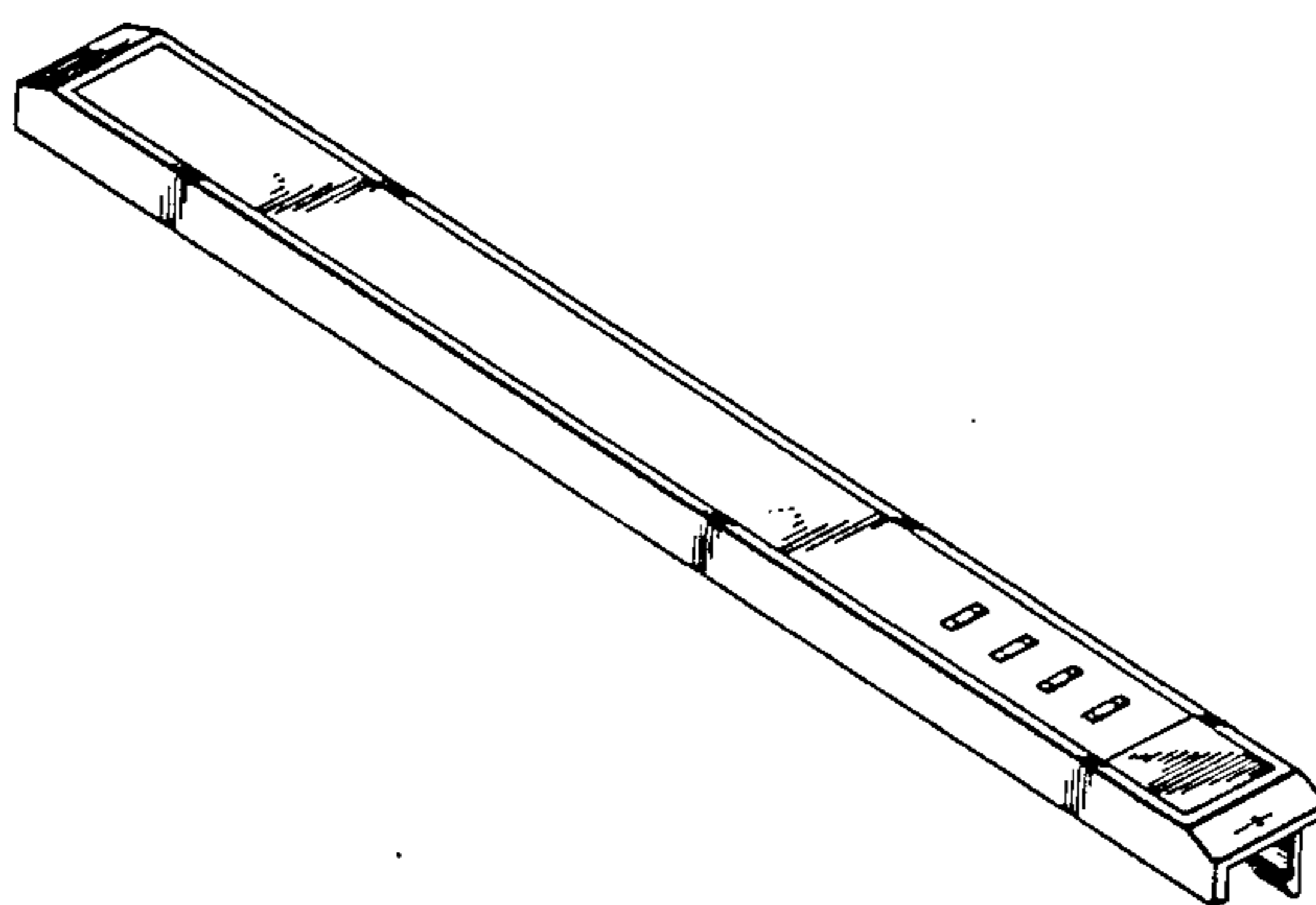
Attorney, Agent, or Firm—Schwartz, Jeffery, Schwaab, Mack, Blumenthal & Evans

[57] **CLAIM**

The ornamental design for a faceplate for electronic circuit board, substantially as shown and described.

DESCRIPTION

FIG. 1 is a front perspective view of the Faceplate For Electronic Circuit Board showing our new design;
FIG. 2 is a left side elevational view thereof;
FIG. 3 is a front elevational view thereof;
FIG. 4 is a top plan view thereof;
FIG. 5 is a bottom plan view thereof;
FIG. 6 is a right side elevational view thereof;
FIG. 7 is a rear elevational view thereof.



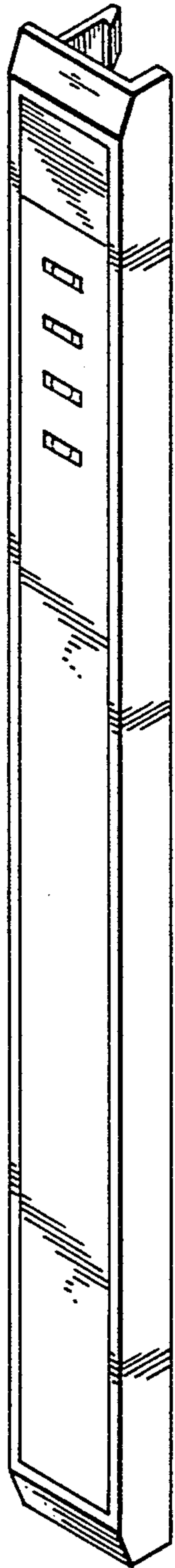


FIG. 1

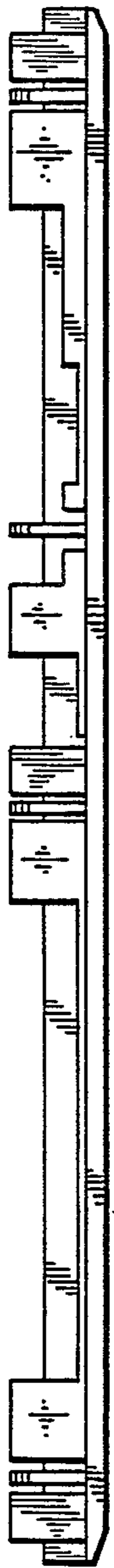


FIG. 2

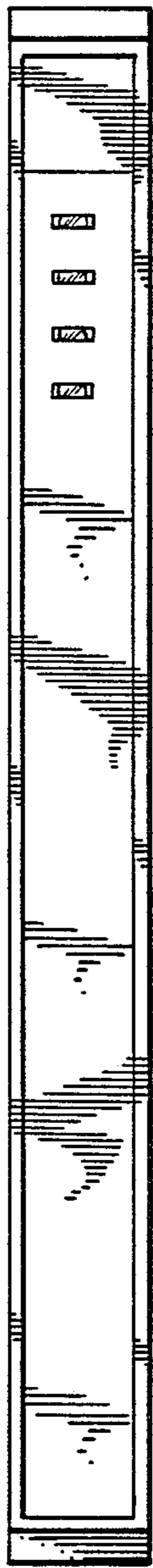


FIG. 3



FIG. 6

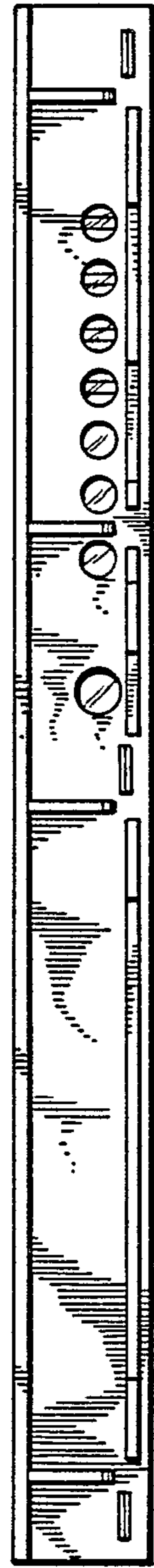


FIG. 7

FIG. 4



FIG. 5

