

**United States Patent** [19]  
**Layton**

[11] **Patent Number: Des. 293,098**  
[45] **Date of Patent: \*\* Dec. 8, 1987**

[54] **CONDUIT TRUNKING FOR PROTECTING CABLES**

[75] **Inventor: David E. Layton, Rhyl Clwyd, United Kingdom**

[73] **Assignee: EGA Limited, United Kingdom**

[\*\*] **Term: 14 Years**

[21] **Appl. No.: 619,842**

[22] **Filed: Jun. 12, 1984**

[52] **U.S. Cl. .... D13/13**

[58] **Field of Search .... D13/4, 13, 17-18, D13/24, 30-31, 40-41, 99; 332/16 R, 17, 22, 10; 361/392-394, 331-334, 347, 356-357, 189-190; 174/50, 65 R, 52 R, 68 C, 17 R, 17 C, 17 CF, 17.06, 23 R; 429/151-154, 163, 178; 52/211, 241-242, 288; D23/45; D25/74, 52**

[56] **References Cited**

**U.S. PATENT DOCUMENTS**

|           |         |                 |          |
|-----------|---------|-----------------|----------|
| 1,400,078 | 12/1921 | Kempton .....   | 174/68 C |
| 3,243,503 | 3/1966  | Burley .....    | 174/68 C |
| 3,401,721 | 9/1968  | George .....    | 174/68 C |
| 3,475,870 | 11/1969 | Birum, Jr. .... | 52/211   |
| 4,037,267 | 7/1977  | Kisor .....     | 174/52 R |
| 4,323,836 | 4/1982  | Rice .....      | 174/52 R |

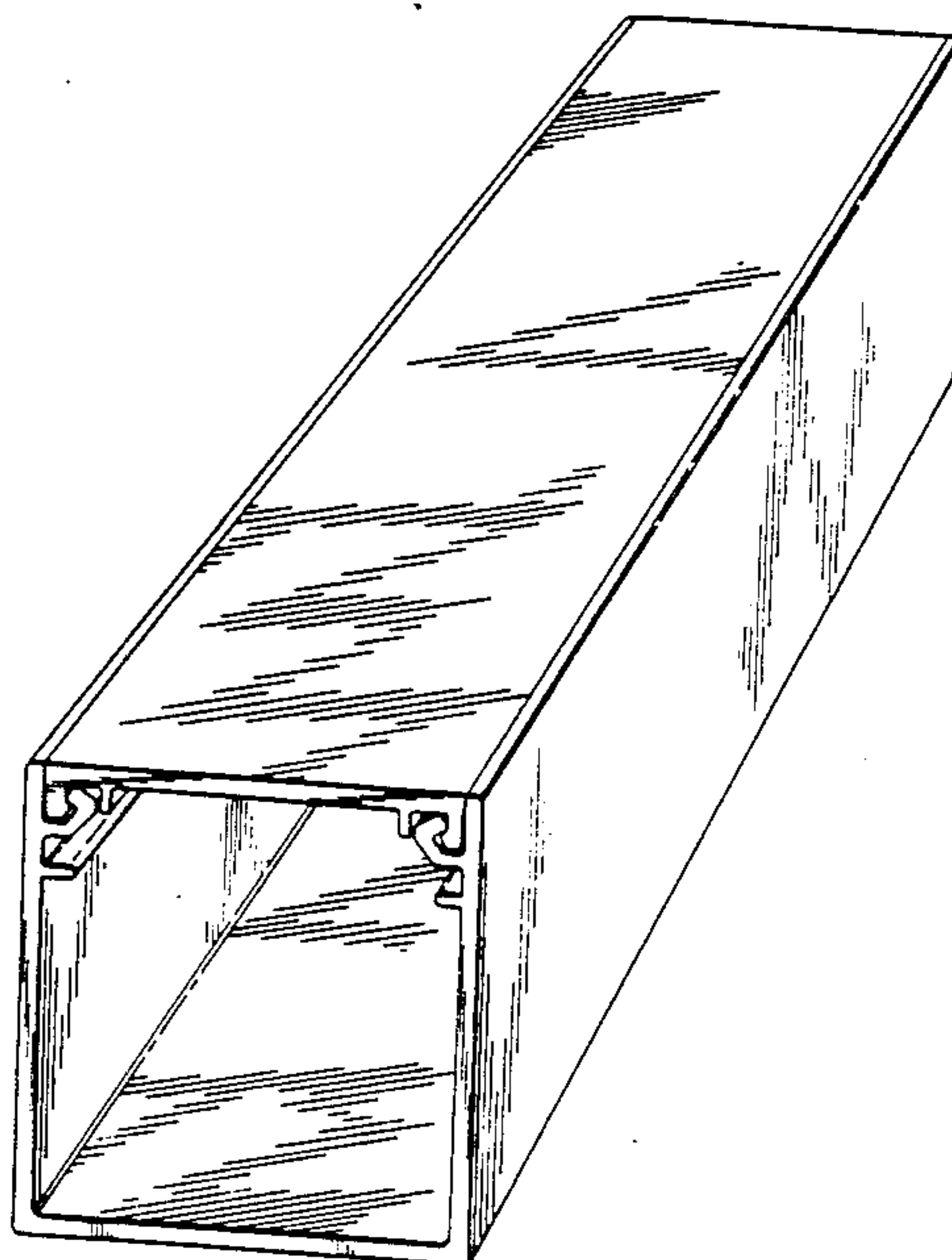
*Primary Examiner*—Wallace R. Burke  
*Assistant Examiner*—Ruth Takemoto  
*Attorney, Agent, or Firm*—Andrus, Sceales, Starke & Sawall

[57] **CLAIM**

The ornamental design for a conduit trunking for protecting cables, as shown and described.

**DESCRIPTION**

FIG. 1 is a side and end perspective view of a conduit trunking for protecting cables showing my new design; and  
FIG. 2 is an end elevational view thereof, the opposite end being a mirror image.  
The undisclosed sides are flat and unornamented.



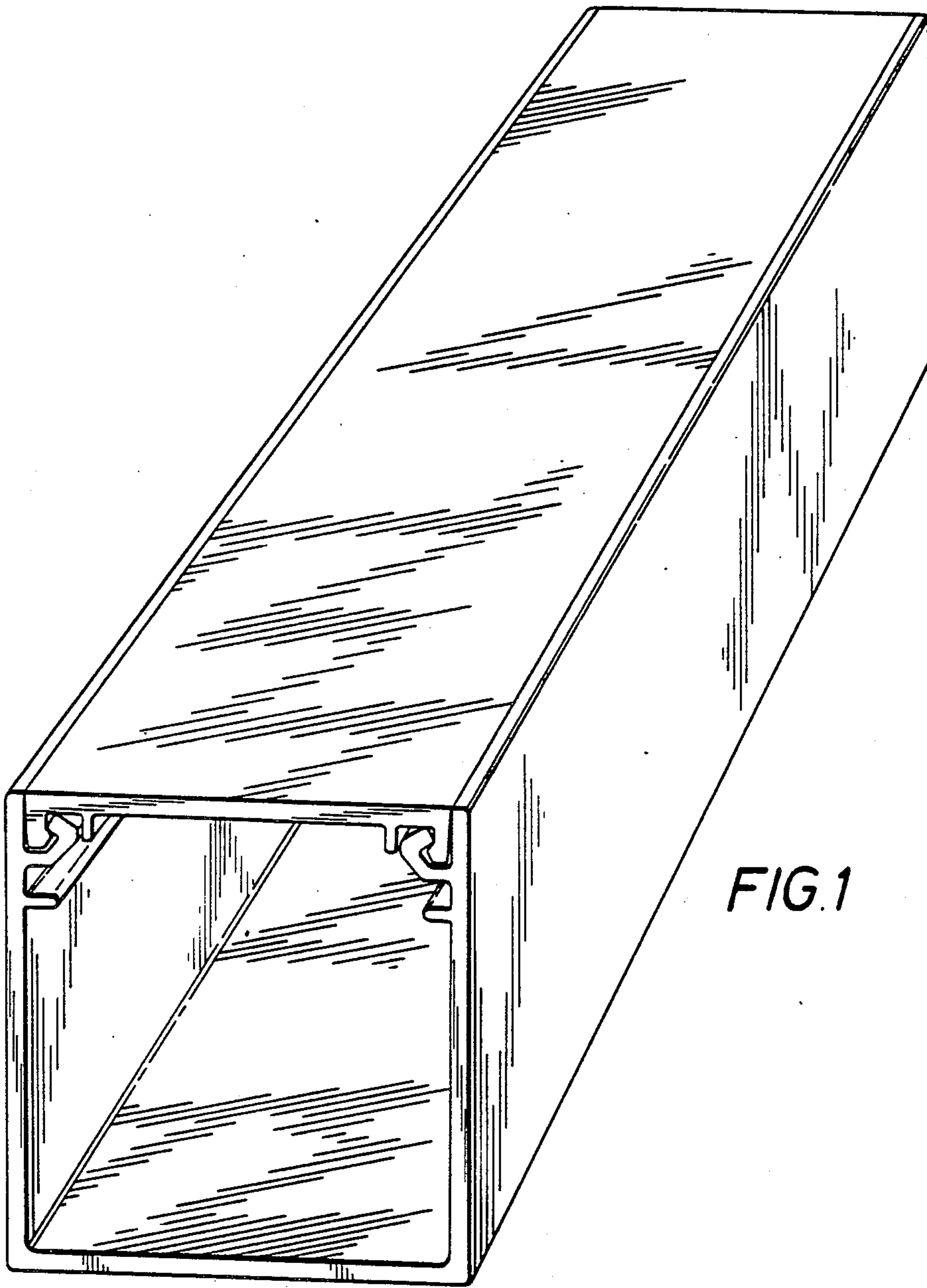


FIG. 1

FIG. 2

