

United States Patent [19]
Brown

[11] **Patent Number: Des. 293,094**
[45] **Date of Patent: ** Dec. 8, 1987**

- [54] **PICK-UP TRUCK BOX COVER**
[76] **Inventor: Martin Brown, Box 63, Drinkwater, Saskatchewan, Canada, S0H 1G0**
[**] **Term: 14 Years**
[21] **Appl. No.: 770,217**
[22] **Filed: Aug. 28, 1985**
[30] **Foreign Application Priority Data**
Nov. 6, 1984 [CA] Canada 06-11-84-2
[52] **U.S. Cl. D12/156**
[58] **Field of Search D12/156; 296/10, 99 R, 296/100, 164**
[56] **References Cited**
U.S. PATENT DOCUMENTS
D. 250,406 11/1978 Windecker et al. D12/156

D. 267,793 2/1983 Skidmore D12/156

OTHER PUBLICATIONS

R. V. Business, 7/84, p. 98, Pickup Truck Cap, center left side of page.

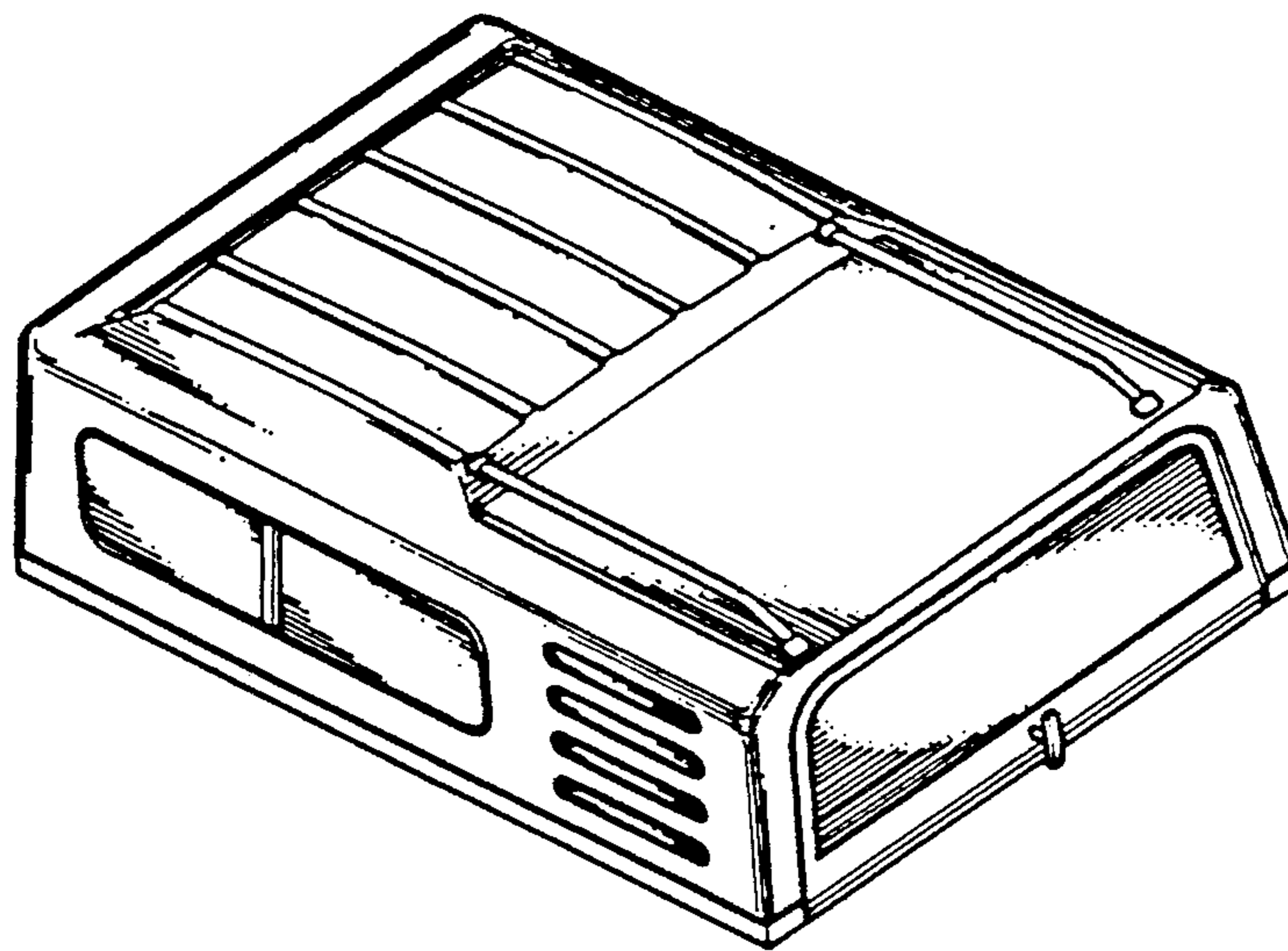
Primary Examiner—James M. Gandy
Attorney, Agent, or Firm—Stanley G. Ade

[57] **CLAIM**

The ornamental design for a pick-up truck box cover, as shown and described.

DESCRIPTION

FIG. 1 is a rear elevation view of the pick-up truck box cover showing my new design;
FIG. 2 is a side elevation view thereof;
FIG. 3 is a front elevation view thereof;
FIG. 4 is an isometric view thereof.
The opposite side is a mirror image of FIG. 2.



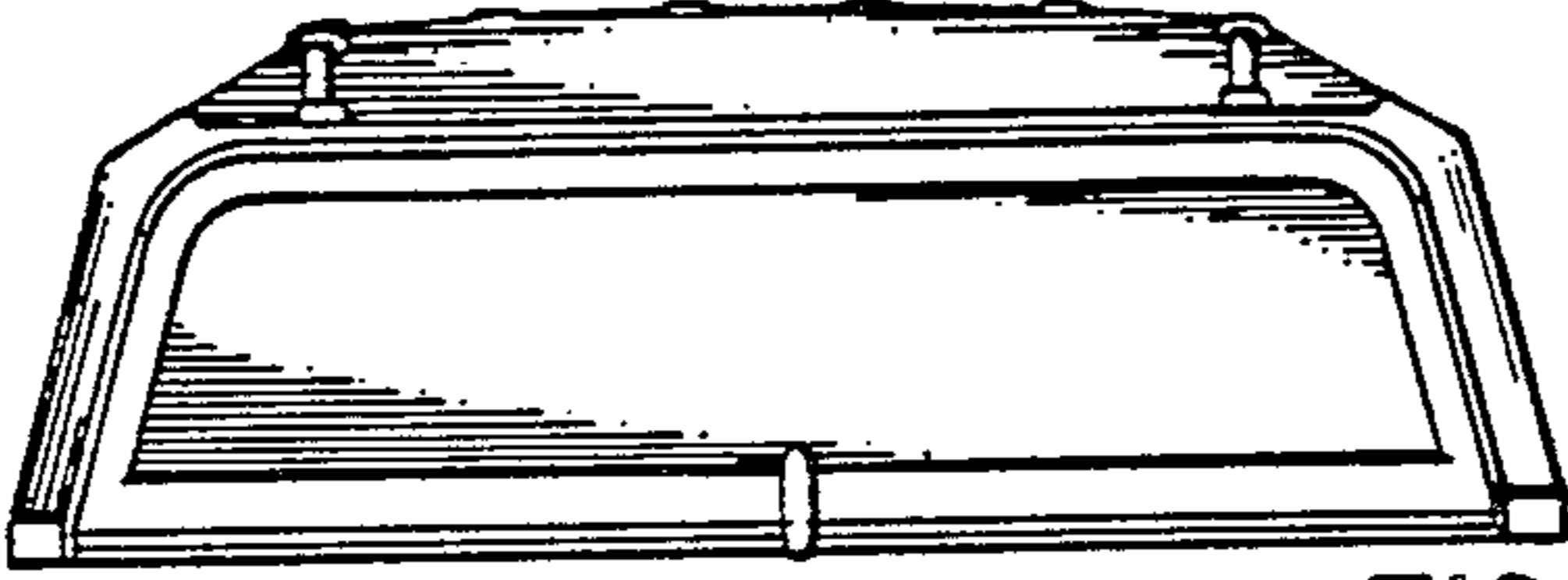


FIG. 1

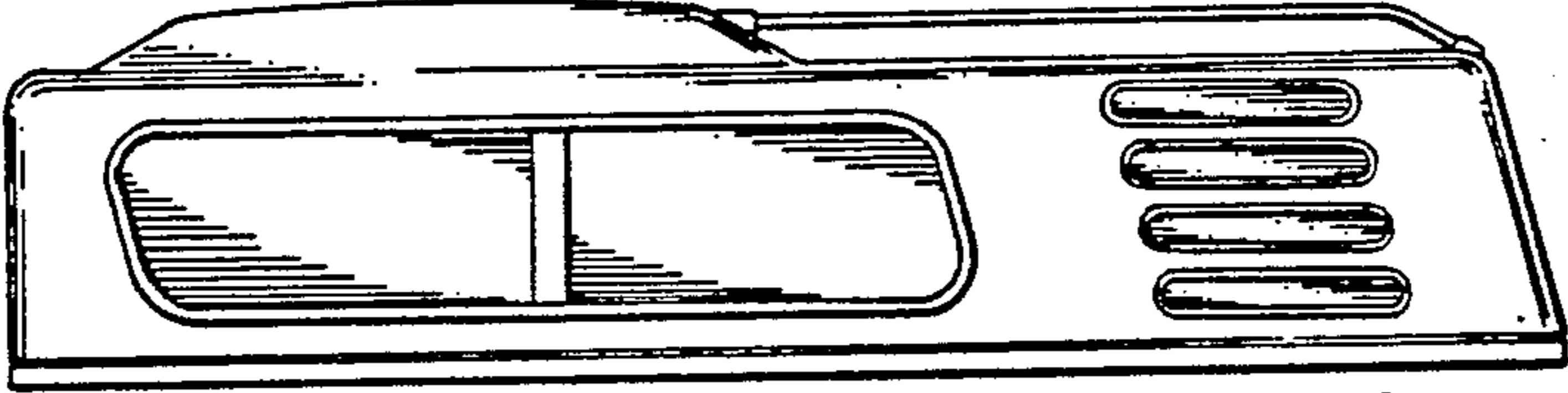


FIG. 2

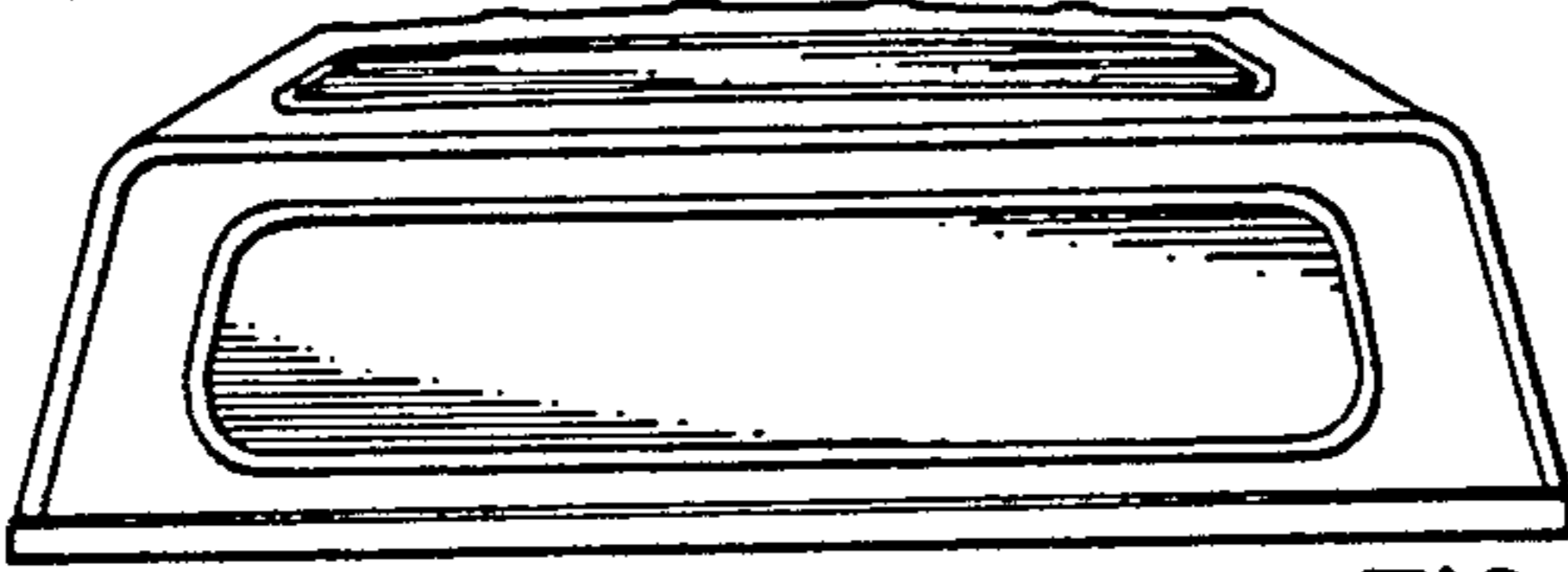


FIG. 3

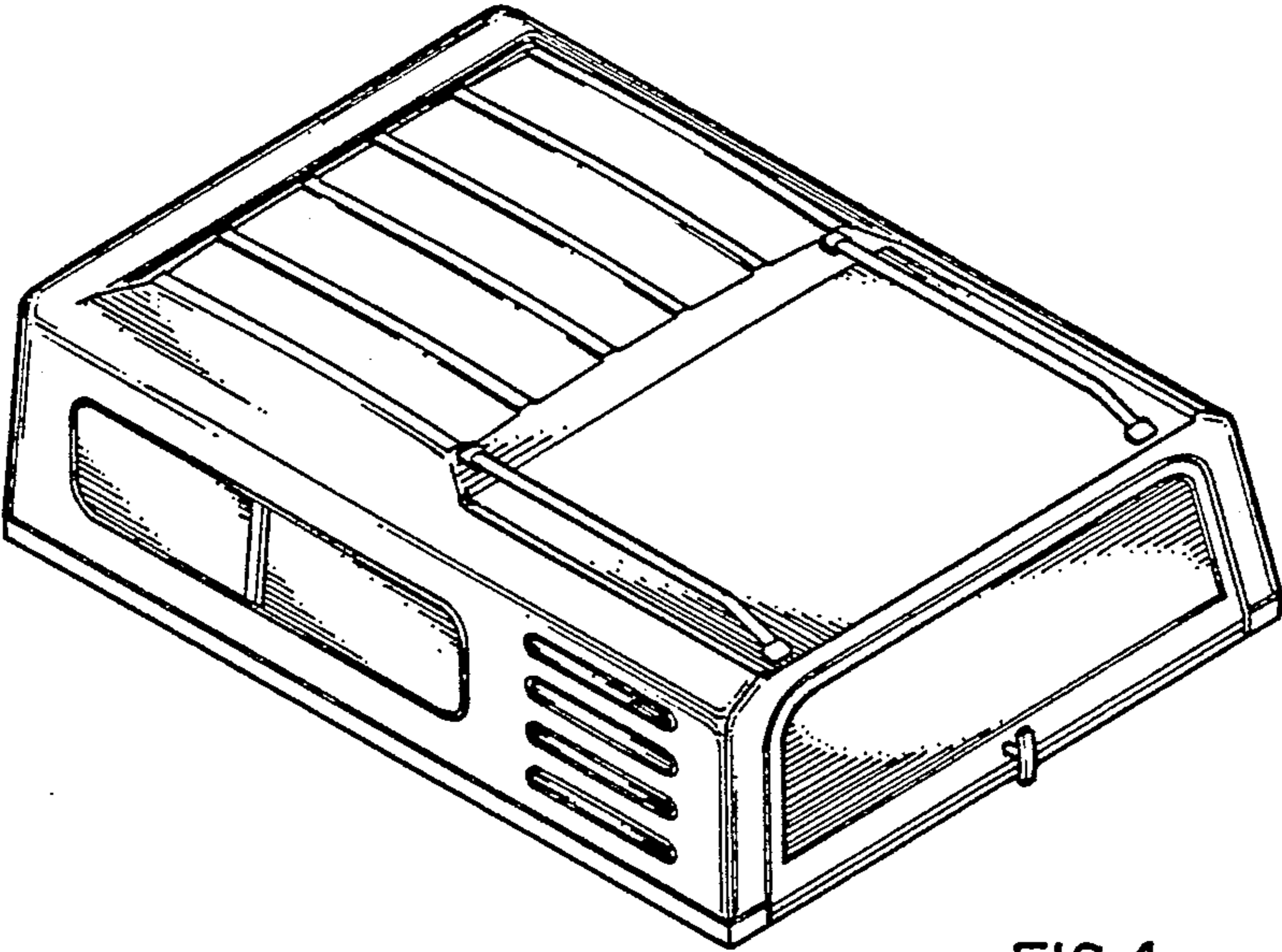


FIG. 4