

**United States Patent** [19]  
**Phillips**

[11] **Patent Number: Des. 293,091**  
 [45] **Date of Patent: \*\* Dec. 8, 1987**

[54] **BURGLAR ALARM ROD**  
 [76] **Inventor: Darrell J. Phillips, 3217 Impala St., Bossier City, La. 71112**  
 [\*\*] **Term: 14 Years**  
 [21] **Appl. No.: 731,547**  
 [22] **Filed: May 7, 1985**  
 [52] **U.S. Cl. .... D10/116; D8/331**  
 [58] **Field of Search .... 116/12, 13, 67 R, 86, 116/100, 82, 85, 112; D8/331, 332; D10/104, 106, 116, 119, 120, 121; 70/94; 292/DIG. 15, 338, 339**

3,583,743 6/1971 Newell ..... 292/339  
 3,804,053 4/1974 Gray ..... 116/13  
 4,300,796 11/1981 Lane ..... 292/339  
 4,358,758 11/1982 Morton ..... 292/339 X  
 4,395,065 7/1983 Nelson et al. .... 292/339  
 4,442,427 4/1984 Morton ..... 292/339 X  
 4,478,168 10/1984 Wimmer ..... 116/82  
 4,483,558 11/1984 Van Meter ..... 292/339

*Primary Examiner*—Catherine E. Kemper  
*Attorney, Agent, or Firm*—John M. Harrison

[57] **CLAIM**

The ornamental design for burglar alarm rod, or similar article, substantially as shown and as described.

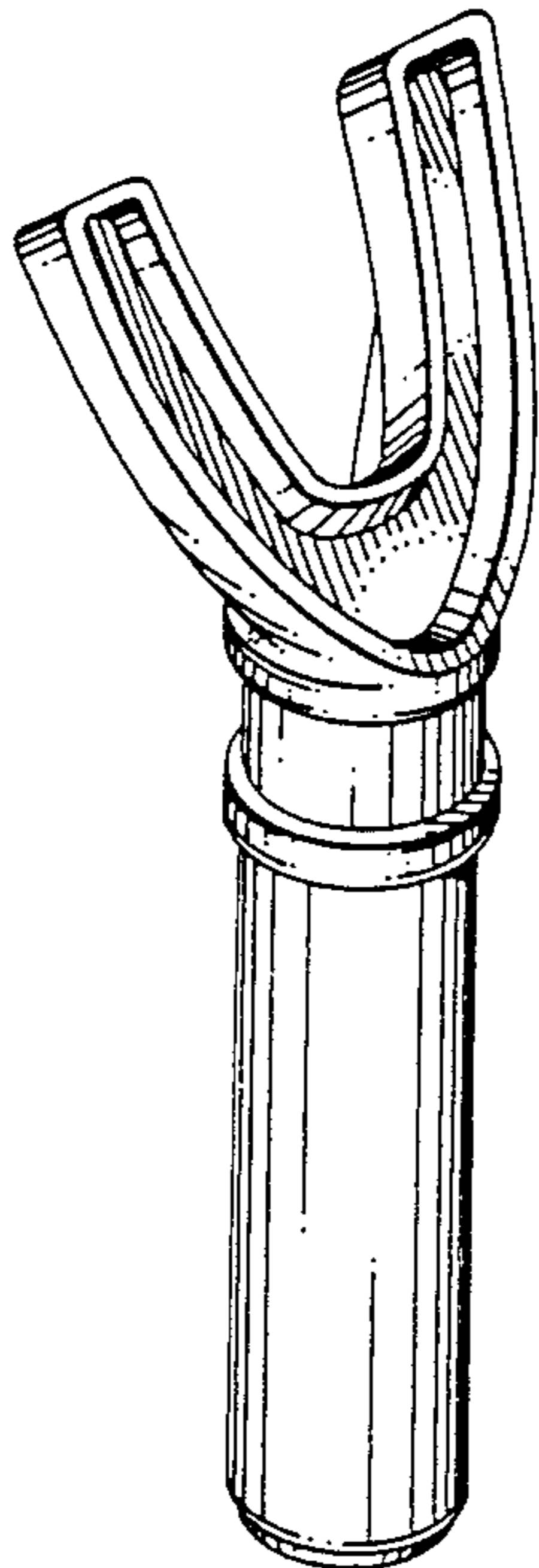
**DESCRIPTION**

FIG. 1 is a front perspective view of a burglar alarm rod or similar article, showing my new design;  
 FIG. 2 is a rear elevational view thereof;  
 FIG. 3 is a front elevational view thereof;  
 FIG. 4 is a left side elevational view thereof;  
 FIG. 5 is a bottom view thereof; and  
 FIG. 6 is a top view thereof.

[56] **References Cited**

**U.S. PATENT DOCUMENTS**

D. 219,362 12/1970 Snyder ..... D8/331 X  
 D. 230,701 3/1974 Lewis et al. .... D8/331  
 D. 255,212 6/1980 Weigand et al. .... D8/331  
 598,405 2/1898 Williams ..... 292/339  
 1,467,363 9/1923 Fairall ..... 116/13  
 2,870,281 1/1959 Mitchell ..... 116/85 X



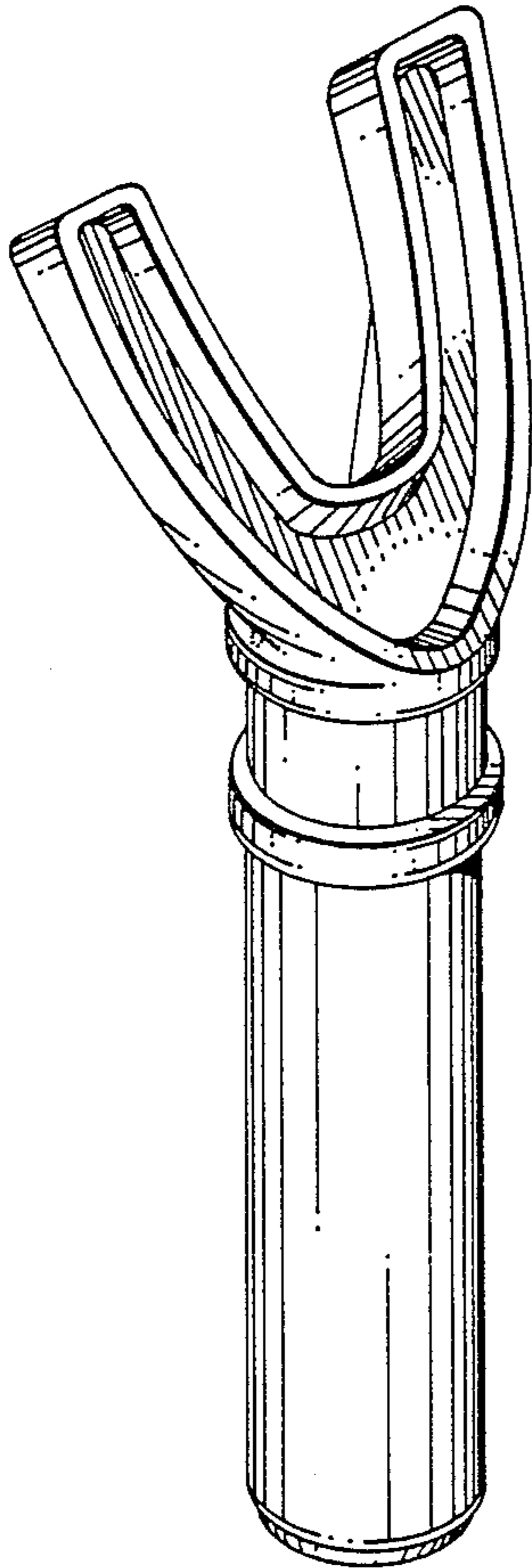


FIG. 1

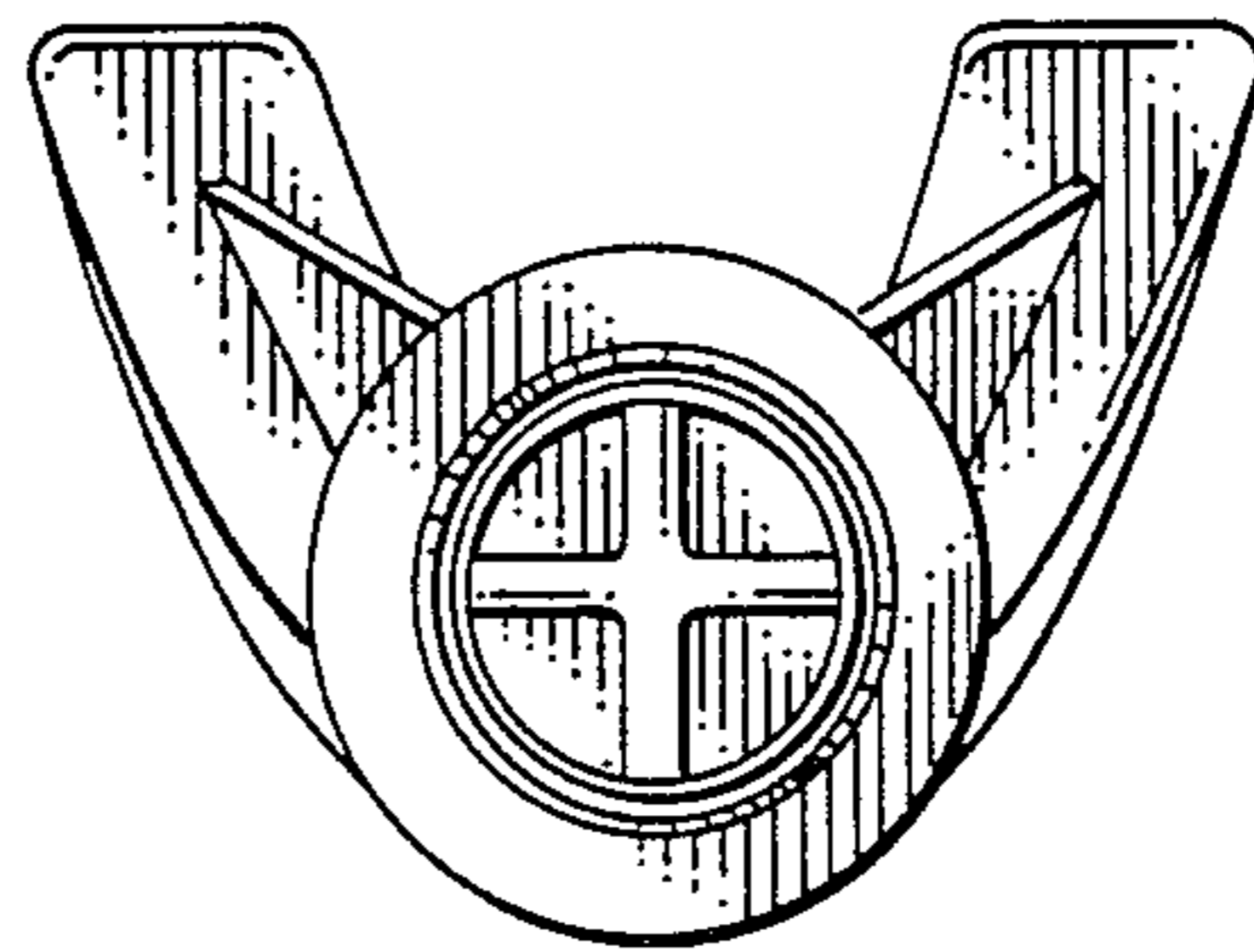


FIG. 5

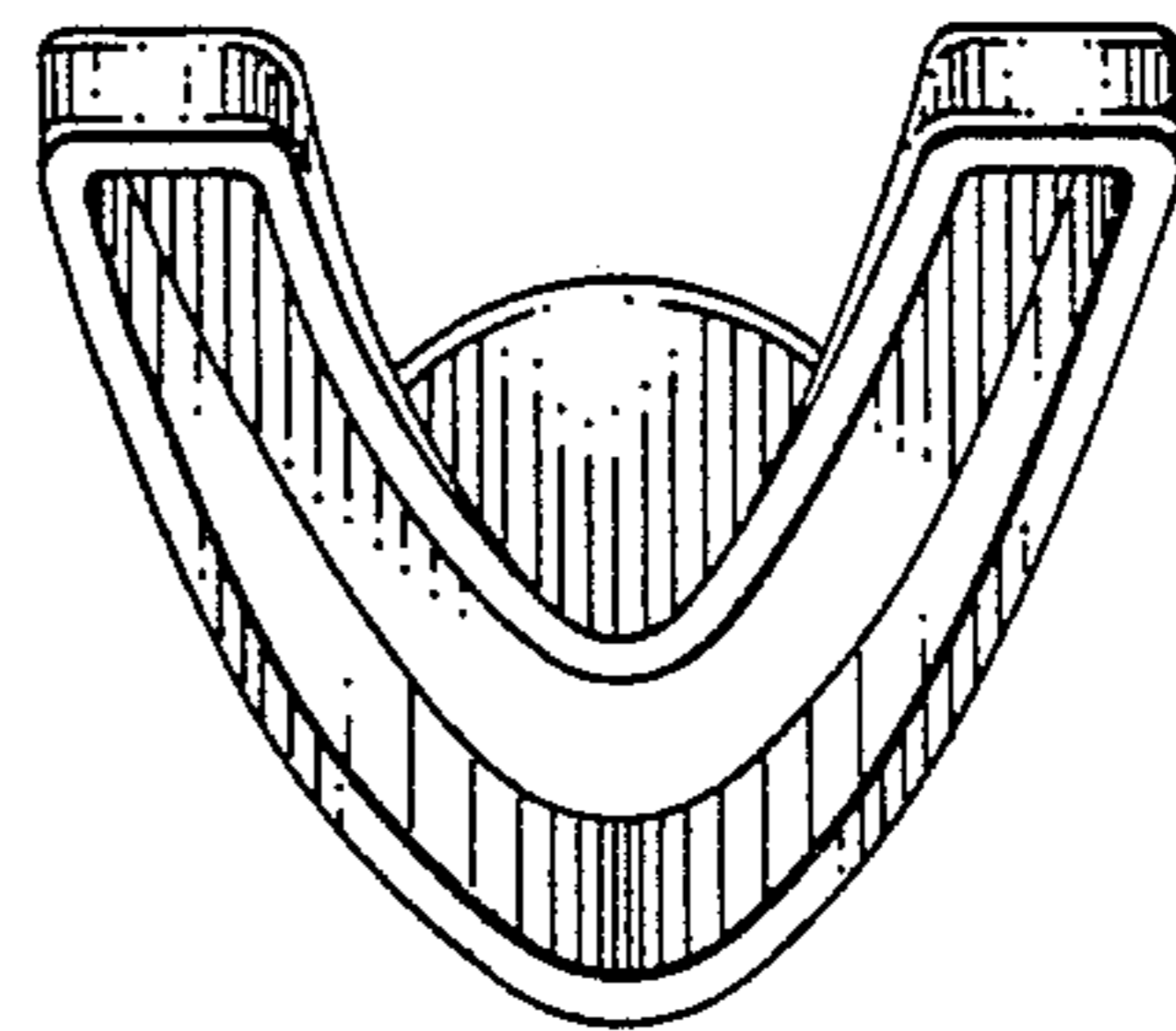


FIG. 6

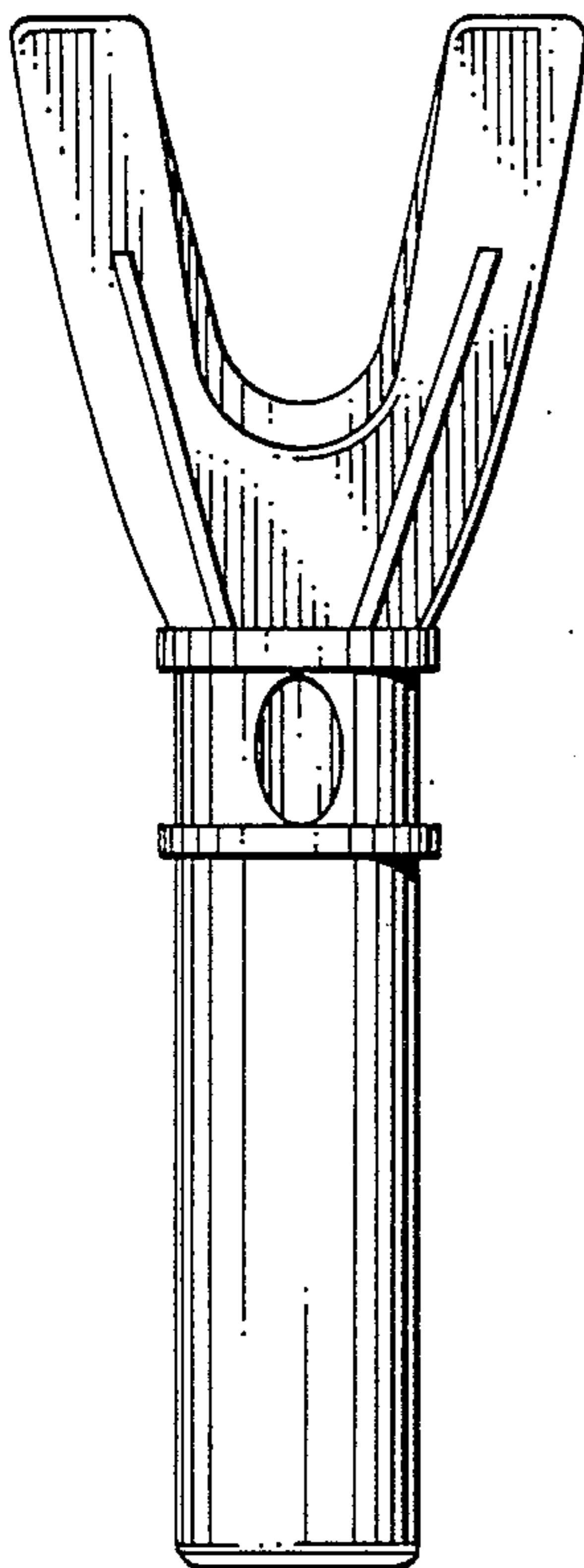


FIG. 2

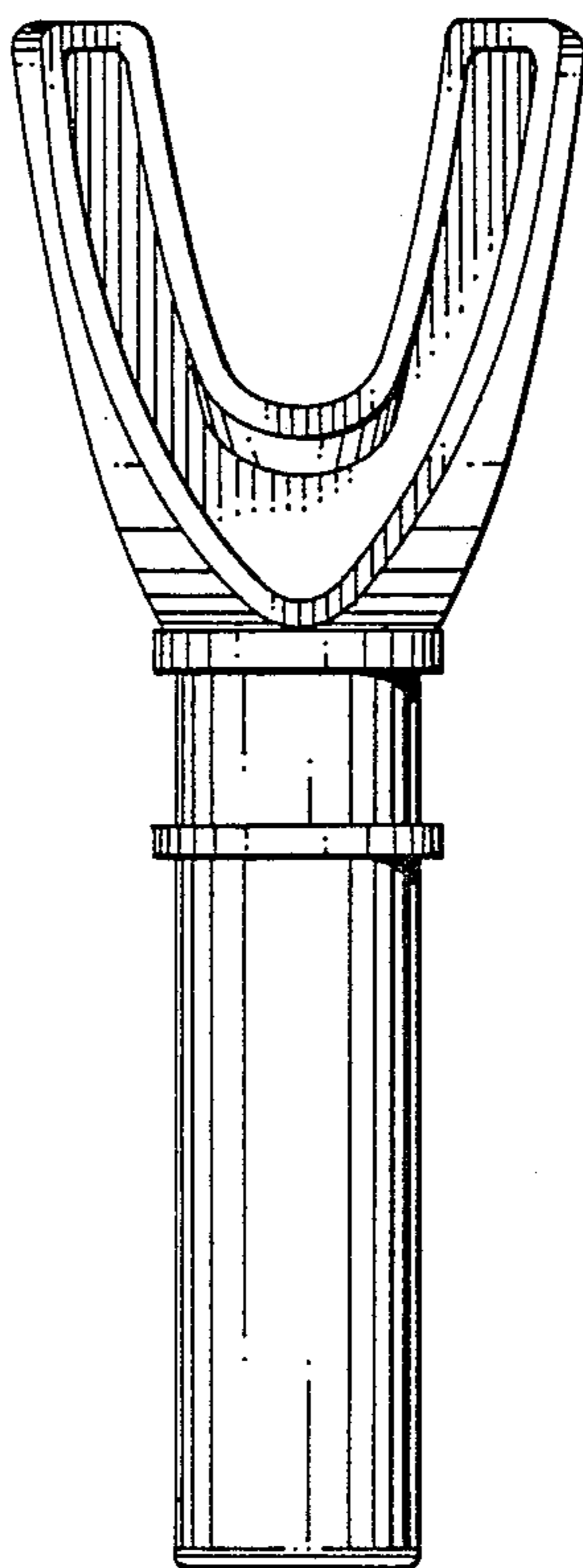


FIG. 3

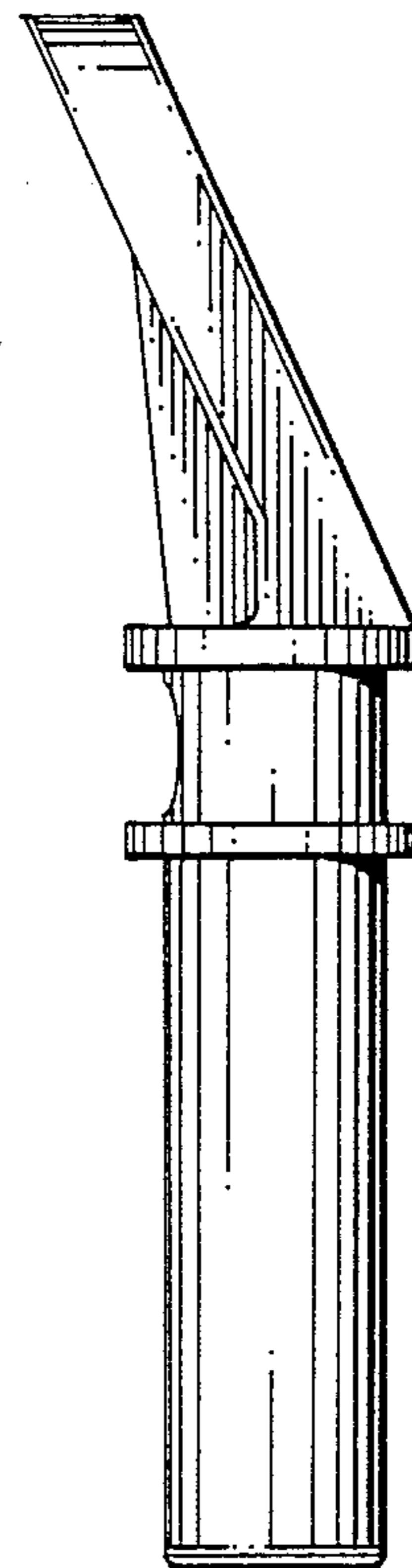


FIG. 4