

United States Patent [19]
LeMarie

[11] **Patent Number: Des. 293,086**
[45] **Date of Patent: ** Dec. 8, 1987**

[54] **RULER**
[75] **Inventor: Romeo LeMarie, Hong Kong, Hong Kong**
[73] **Assignee: Lambda Integral Design Limited, Kowloon, Hong Kong**
[**] **Term: 14 Years**

[21] **Appl. No.: 730,771**
[22] **Filed: May 3, 1985**

[30] **Foreign Application Priority Data**
Nov. 1, 1984 [GB] United Kingdom 1023026
[52] **U.S. Cl. D10/71; D19/35; D19/36; D19/37; D19/38**
[58] **Field of Search D10/70, 71; 33/27.03; D19/35-38**

[56] **References Cited**
U.S. PATENT DOCUMENTS
D. 251,252 3/1979 Kamila D19/38

D. 253,117 10/1979 Knight D19/37 X
D. 265,211 6/1982 Knight D19/37 X
1,009,214 11/1911 Backstrom D10/65 X
1,366,800 11/1921 Hayden 33/27.03
2,031,920 2/1936 Benschmol 33/27.03
2,263,637 11/1941 Maupin 33/27.03 X
2,943,392 7/1960 Attridge 33/27.03 X
3,664,025 5/1972 Barto 33/27.03
3,947,968 4/1976 Rosenheck D19/35 X

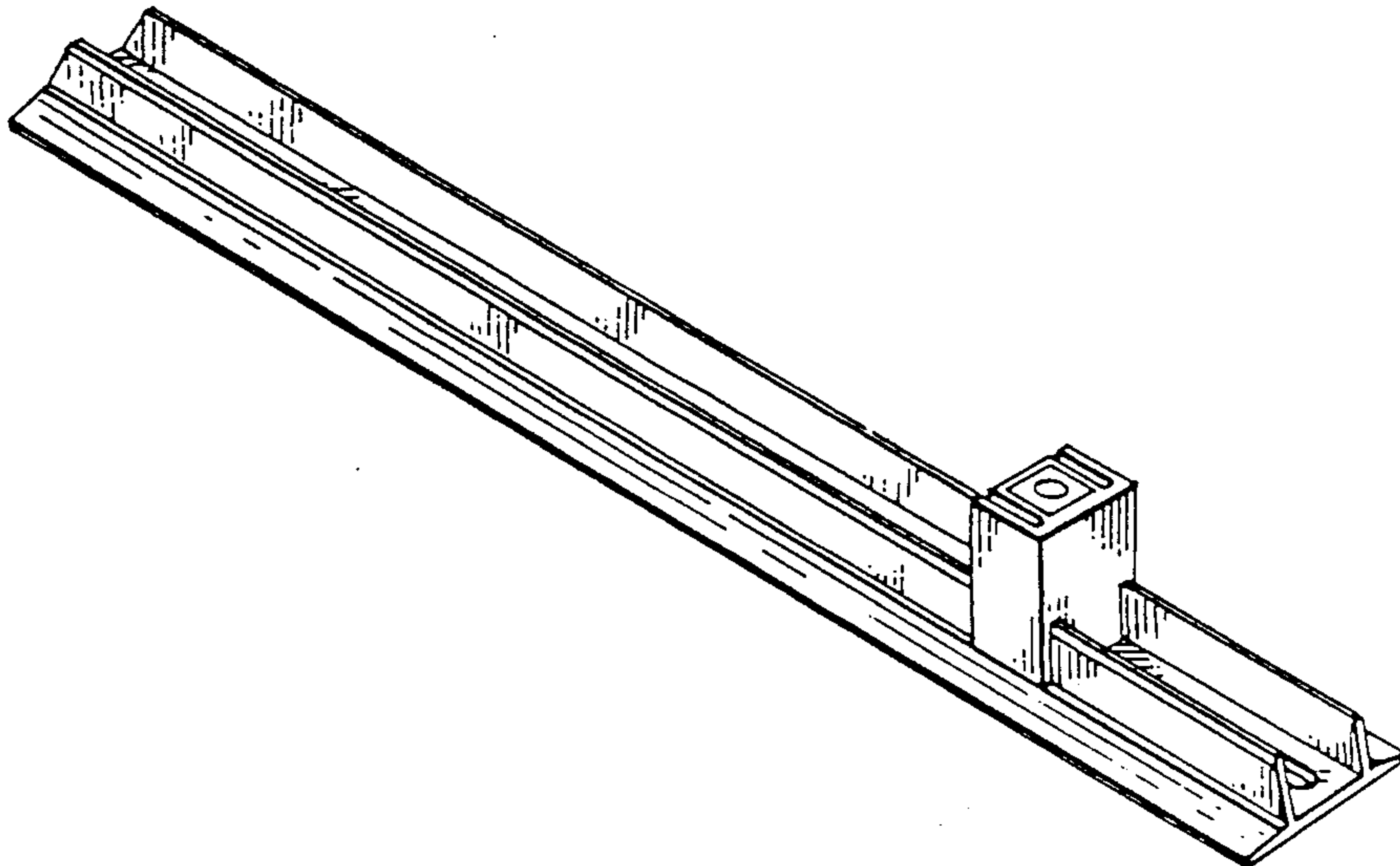
Primary Examiner—Nelson C. Holtje
Attorney, Agent, or Firm—Warren B. Kice

[57] **CLAIM**

The ornamental design for a ruler, as shown and described.

DESCRIPTION

FIG. 1 is a top and right front perspective view of a ruler showing my new design;
FIG. 2 is a left side elevational view thereof;
FIG. 3 is a rear elevational view thereof;
FIG. 4 is a bottom plan view thereof;
FIG. 5 is a top and right front perspective view thereof with the component in an alternative position.



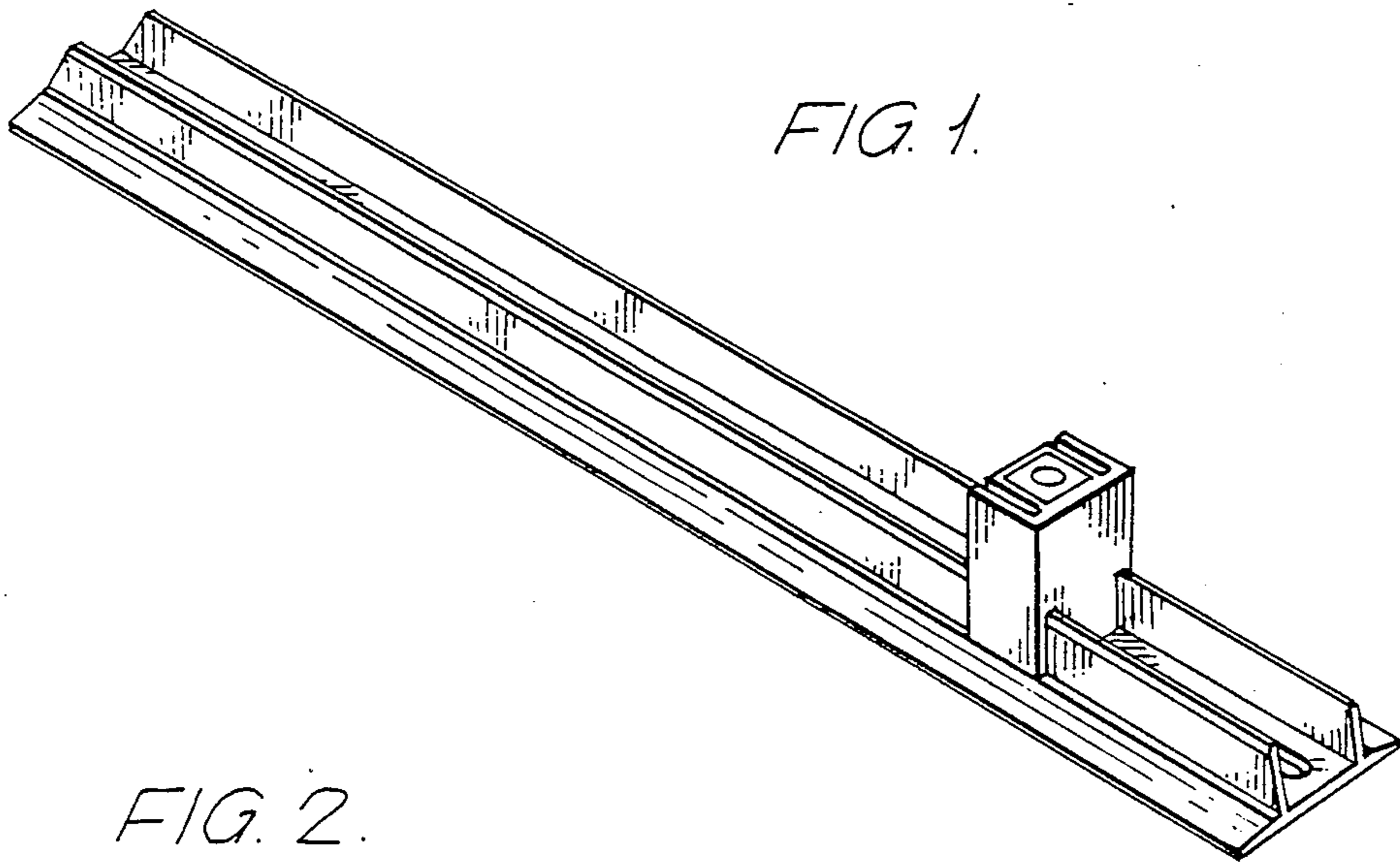


FIG. 2.

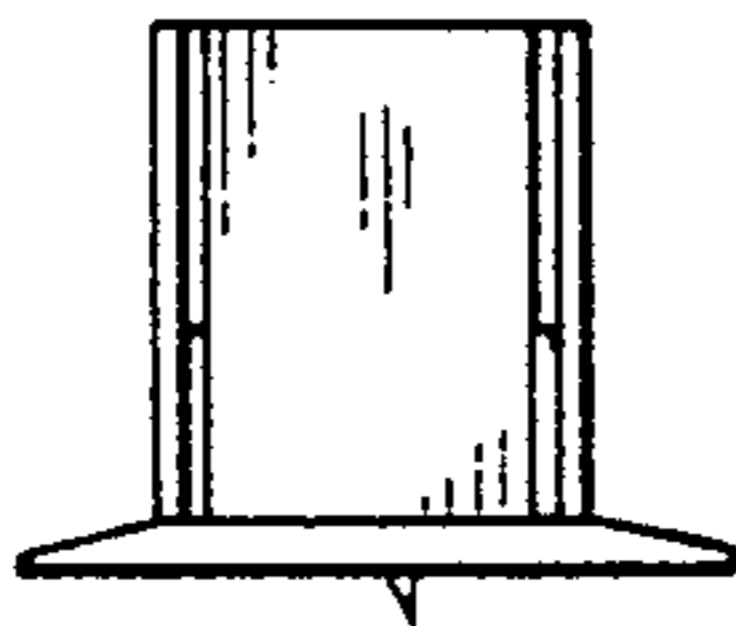


FIG. 3.

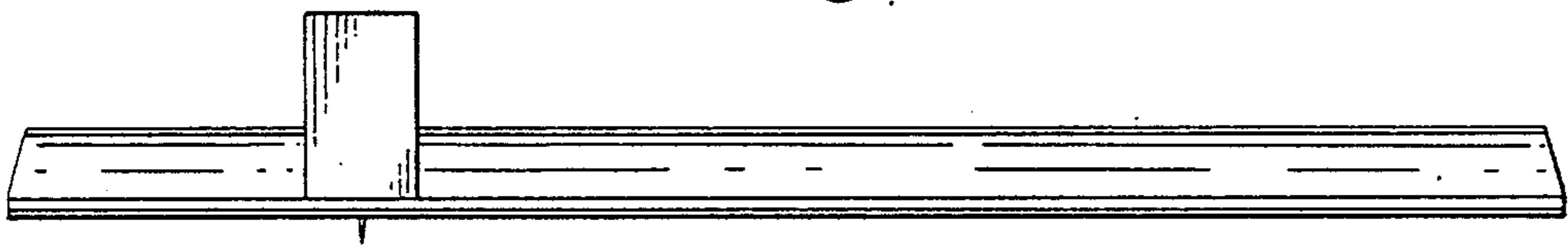


FIG. 4.

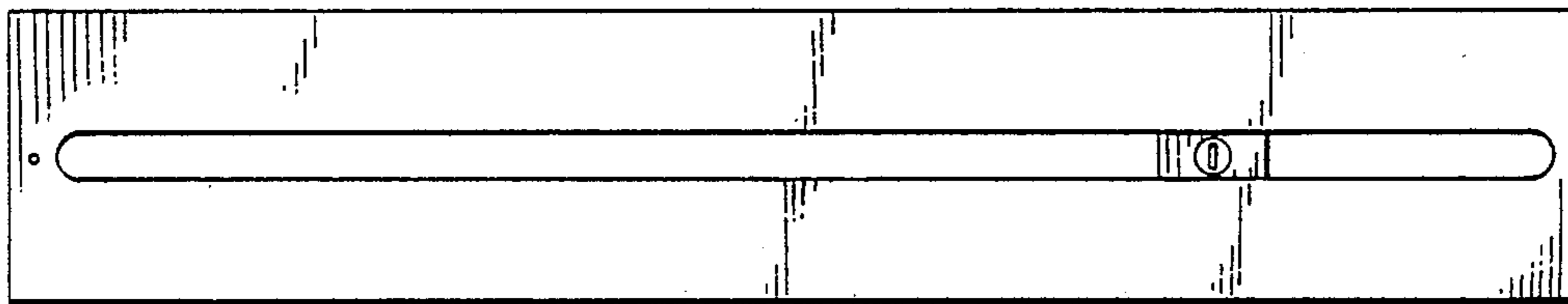


FIG. 5

