

United States Patent [19]

Wickman et al.

[11] Patent Number: Des. 293,077

[45] Date of Patent: ** Dec. 8, 1987

[54] LOCK LATCH LEVER

3,576,238 4/1971 Chubb 190/120

[75] Inventors: John A. Wickman, Swansea, Mass.;
M. Edward Lawing, Columbus, Ohio

Primary Examiner—Wallace R. Burke
Assistant Examiner—Brian N. Vinson
Attorney, Agent, or Firm—F. Kristen Koepcke; Brian J. Leitten

[73] Assignee: American Tourister, Inc., Warren,
R.I.

[**] Term: 14 Years

[57] CLAIM

[21] Appl. No.: 705,594

The ornamental design for a lock latch lever, substantially as shown and described.

[22] Filed: Feb. 26, 1985

[52] U.S. Cl. D8/343; D8/338

DESCRIPTION

[58] Field of Search D8/330-331,
D8/336-339, 341, 88; 70/63-64, 66-67, 69, 330,
DIG. 8, DIG. 31; 292/336.3, 341.17, DIG. 30,
DIG. 31, DIG. 38, DIG. 49, DIG. 63, DIG.
48, 101-108, 95; 16/334, 341-342; 74/519-520

FIG. 1 is a perspective view of a lock latch lever showing our new design, the broken-line showing of the attache case being for illustrative purposes only and forming no part of the claimed design;

FIG. 2 is a top plan view thereof;

FIG. 3 is a left side elevational view thereof;

FIG. 4 is a front end elevational view thereof, the rear being identical in appearance;

FIG. 5 is a right side elevational view thereof;

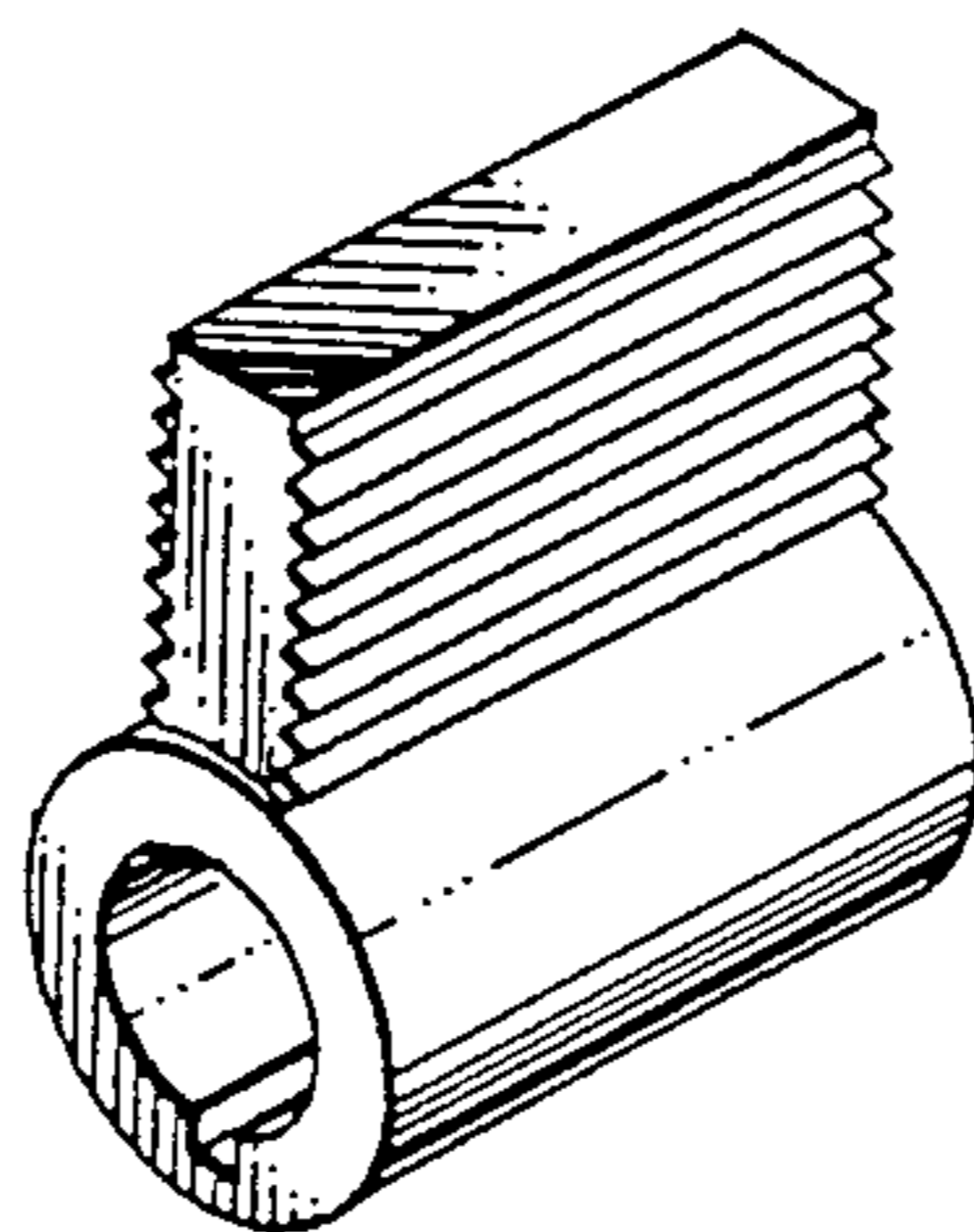
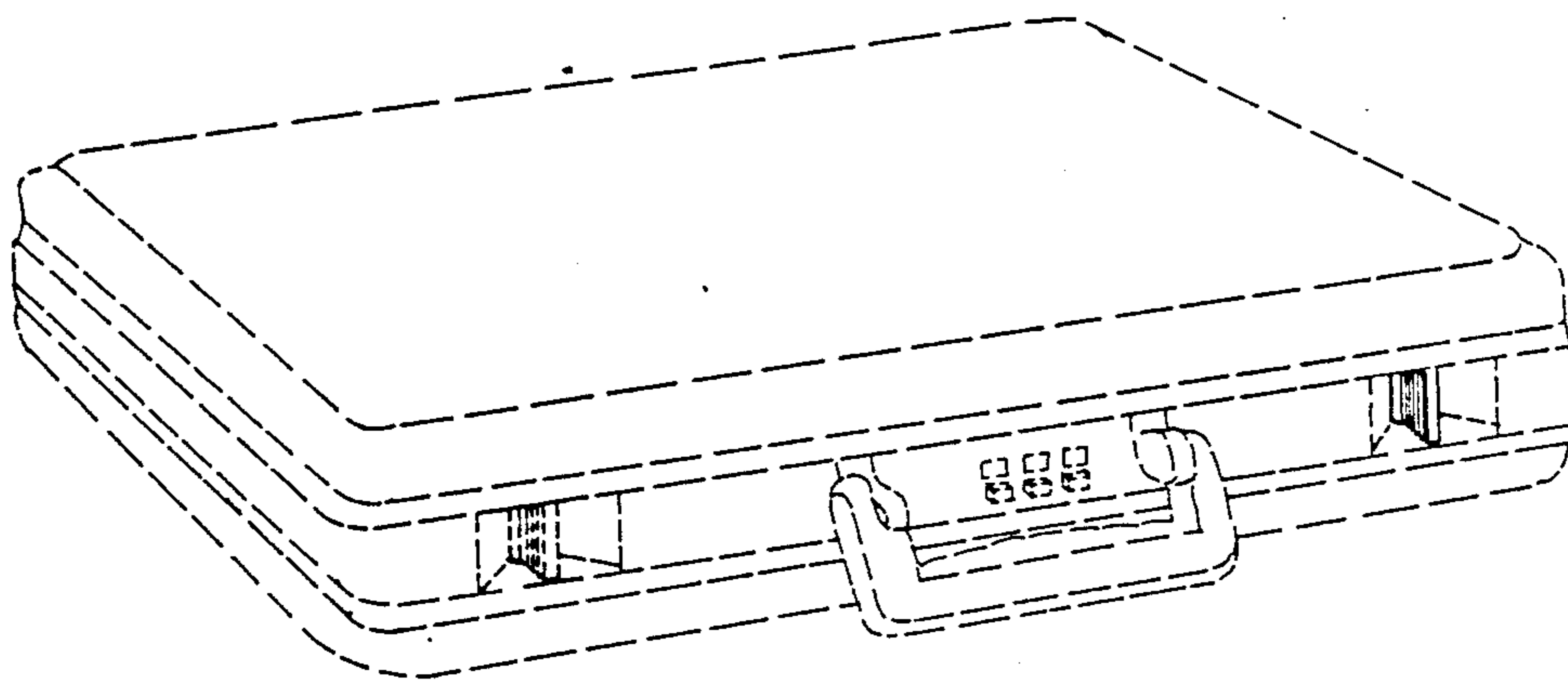
FIG. 6 is a bottom plan view thereof; and,

FIG. 7 is a top perspective view thereof.

[56] References Cited

U.S. PATENT DOCUMENTS

D. 185,510 6/1959 Powell et al. D8/331
D. 203,933 3/1966 Griffith D8/312 X



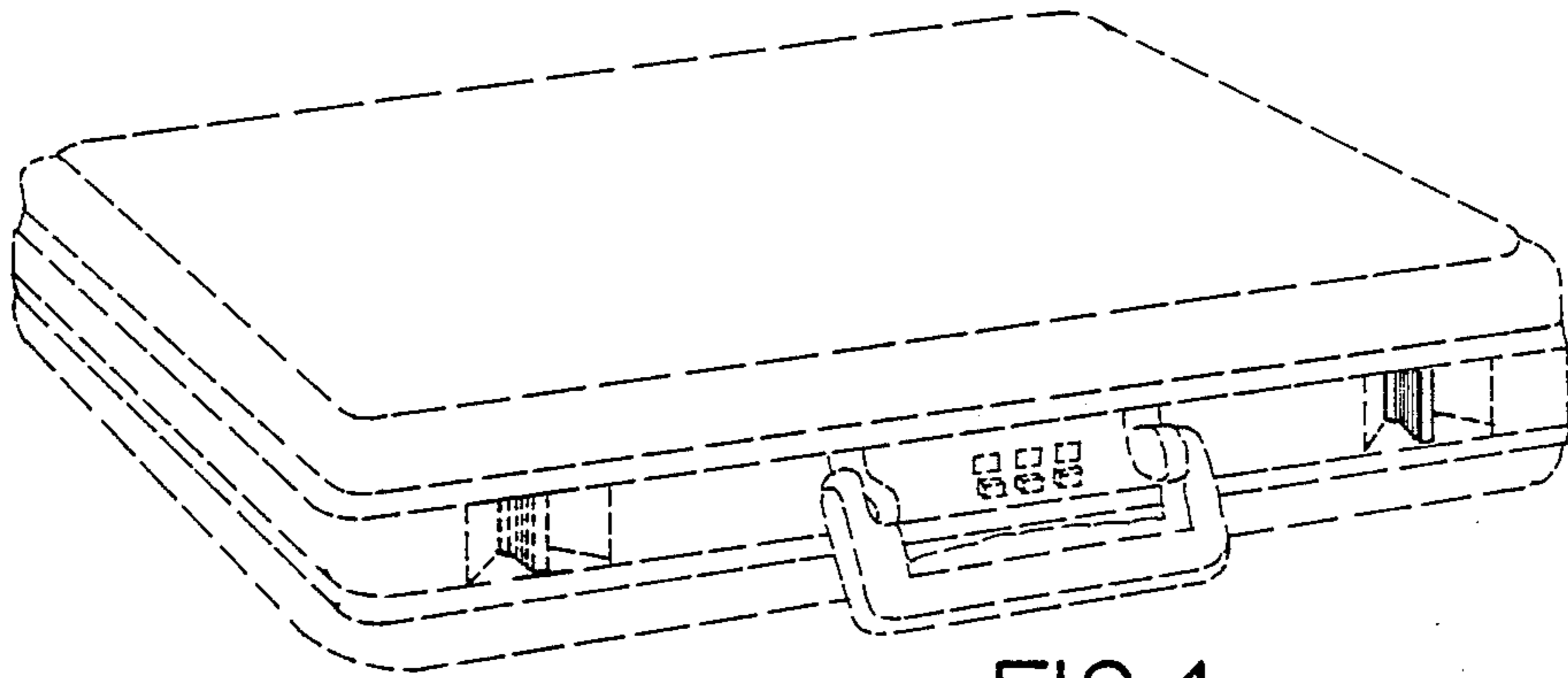


FIG. 1

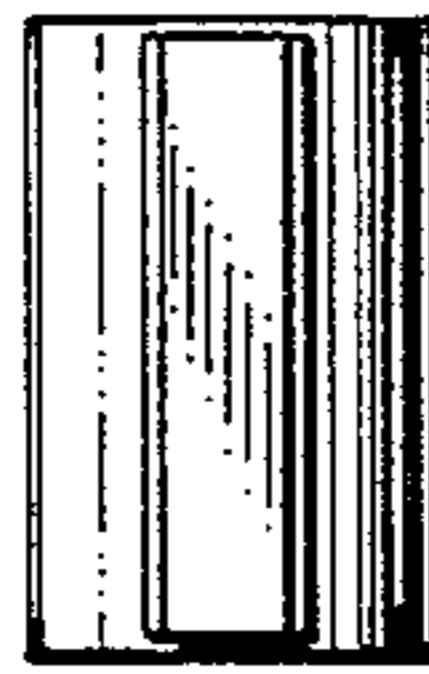


FIG. 2

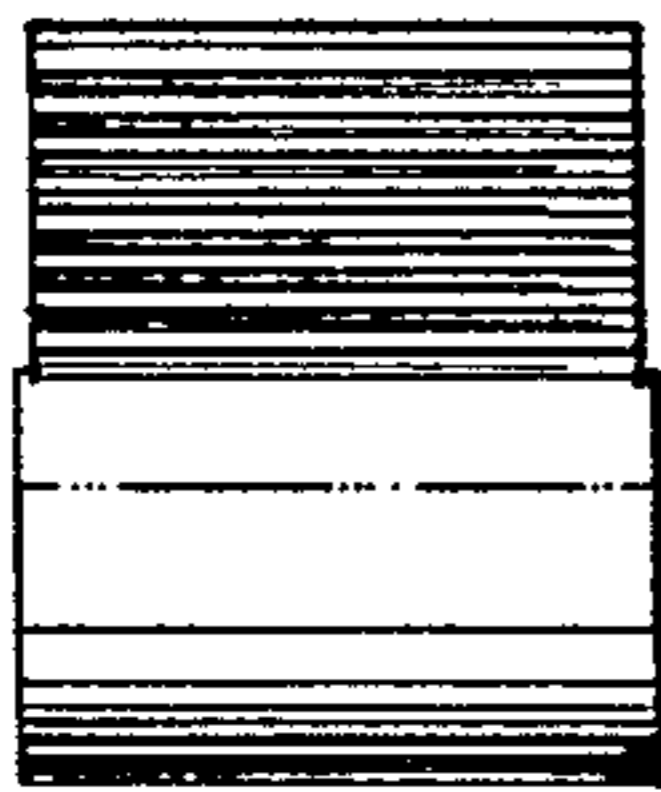


FIG. 3

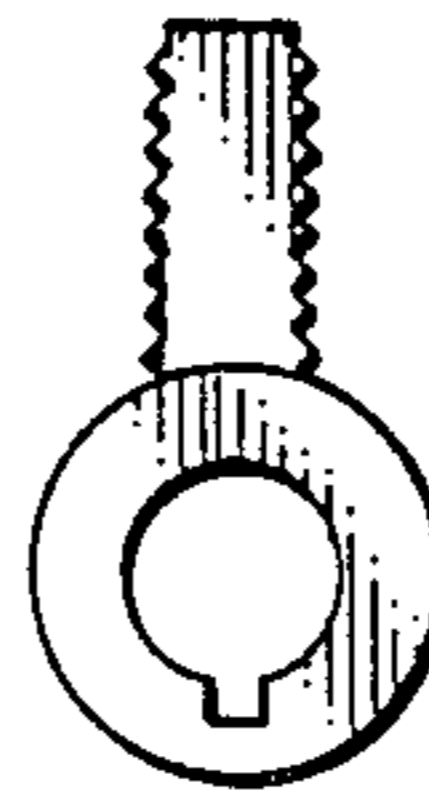


FIG. 4

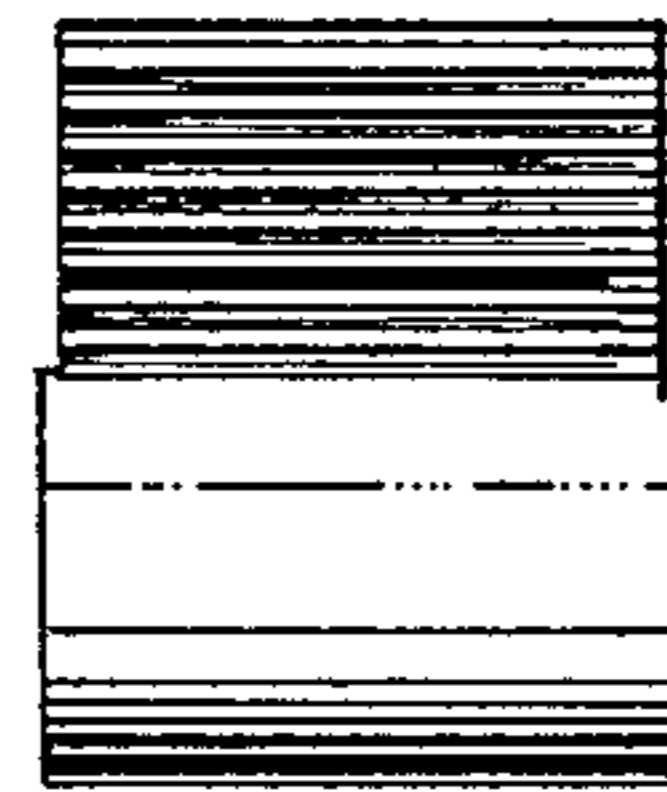


FIG. 5

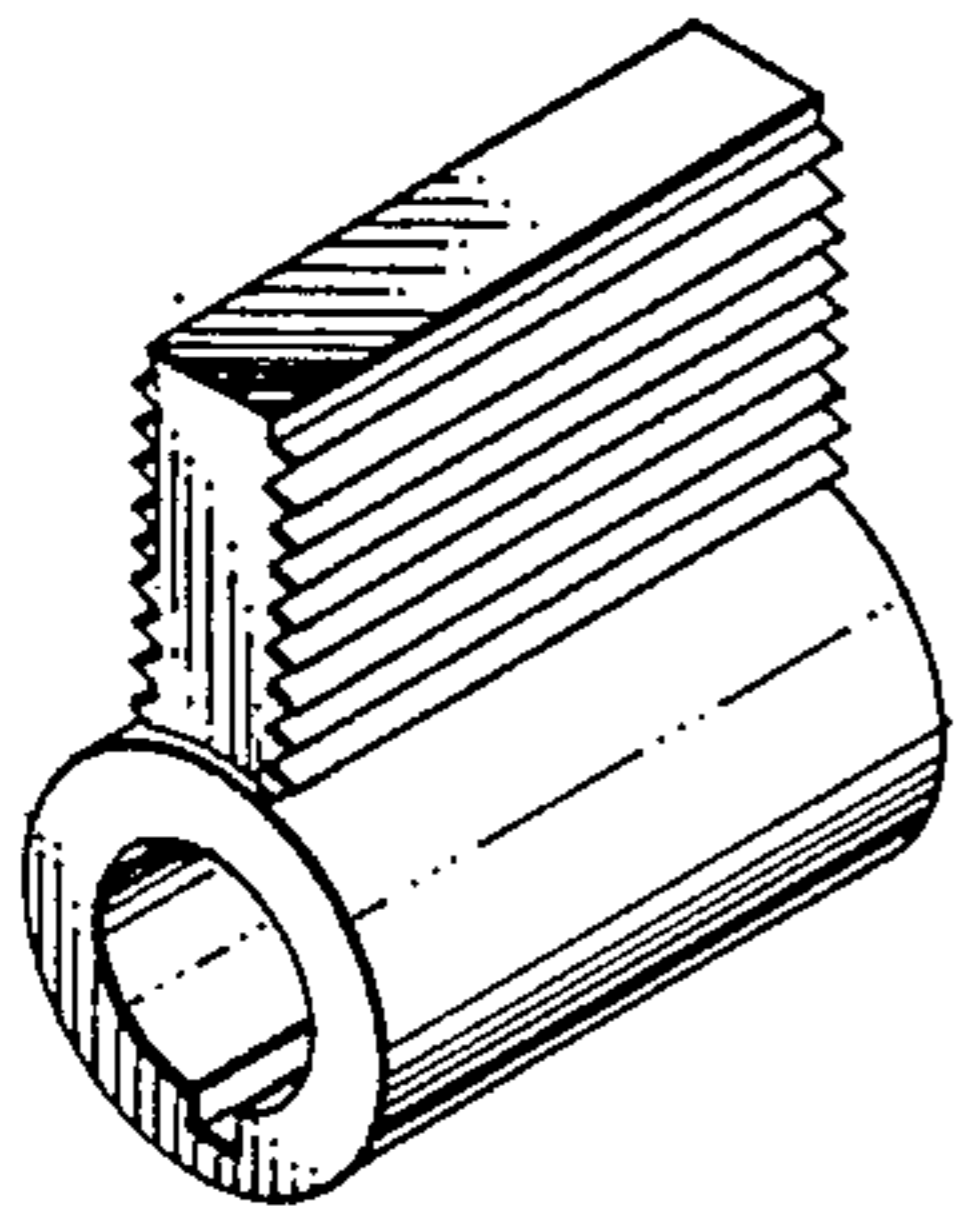


FIG. 7

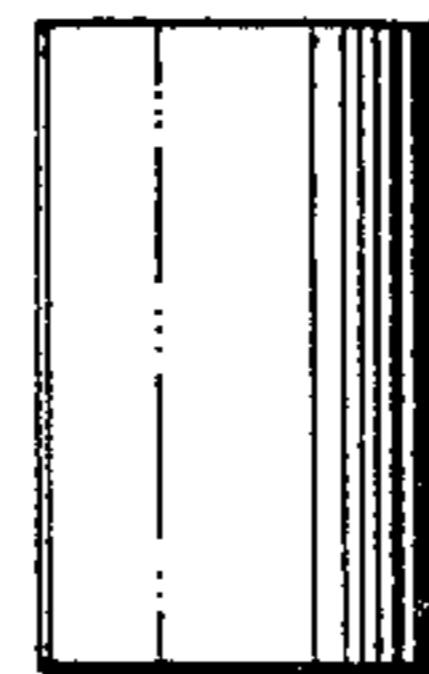


FIG. 6