

[54] LOCK ASSEMBLY FOR ZIPPERED LUGGAGE

[76] Inventor: Urs Gisiger, Gaensbruehlweg 4, 2545 Selzach, Switzerland

[**] Term: 14 Years

[21] Appl. No.: 703,870

[22] Filed: Feb. 21, 1985

[52] U.S. Cl. D8/330

[58] Field of Search D8/330-331, D8/333-334, 339-346; 24/381, 430, 434-436, 418-419; 70/68

[56] References Cited

U.S. PATENT DOCUMENTS

| | | | |
|-----------|--------|--------------------|----------|
| 3,335,586 | 8/1967 | Levine et al. | 70/68 |
| 3,971,458 | 7/1976 | Koenig | D8/431 X |
| 3,973,419 | 8/1976 | Atkinson | 70/68 |
| 4,244,086 | 1/1981 | Gregg | 70/68 |
| 4,350,375 | 9/1982 | Bako | 70/68 X |
| 4,395,891 | 8/1983 | Remington | 60/68 |
| 4,514,884 | 5/1985 | Kaneko | 70/68 X |

4,578,966 4/1986 Kasai 70/68

Primary Examiner—Wallace R. Burke

Assistant Examiner—Brian N. Vinson

[57] CLAIM

The ornamental design for lock assembly for zippered luggage, as shown and described.

DESCRIPTION

FIG. 1 is a front elevational view of a lock assembly for zippered luggage showing my new design, with the assembly shown disengaged;

FIG. 2 is a top plan view thereof, in an assembled position;

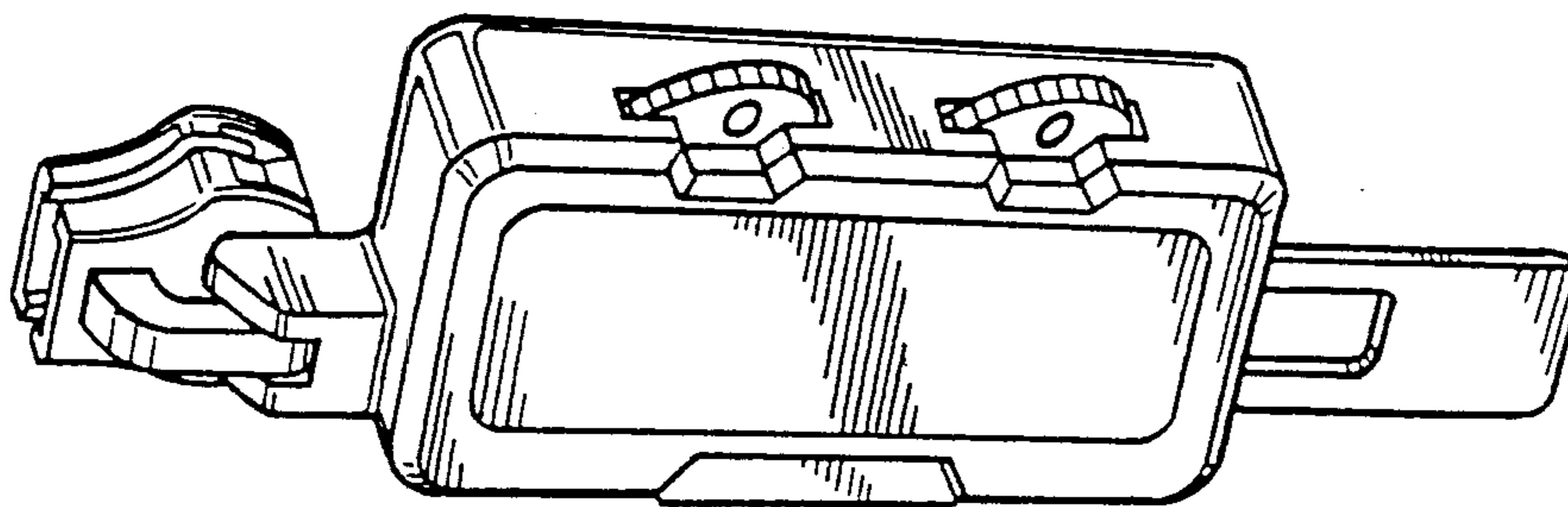
FIG. 3 is a bottom plan view thereof, in an assembled position;

FIG. 4 is a right end elevational view thereof, in an assembled position;

FIG. 5 is a top, front perspective view thereof, in an assembled position;

FIG. 6 is a rear elevational view thereof, in an assembled position; and

FIG. 7 is a left side elevational view thereof, in an assembled position.



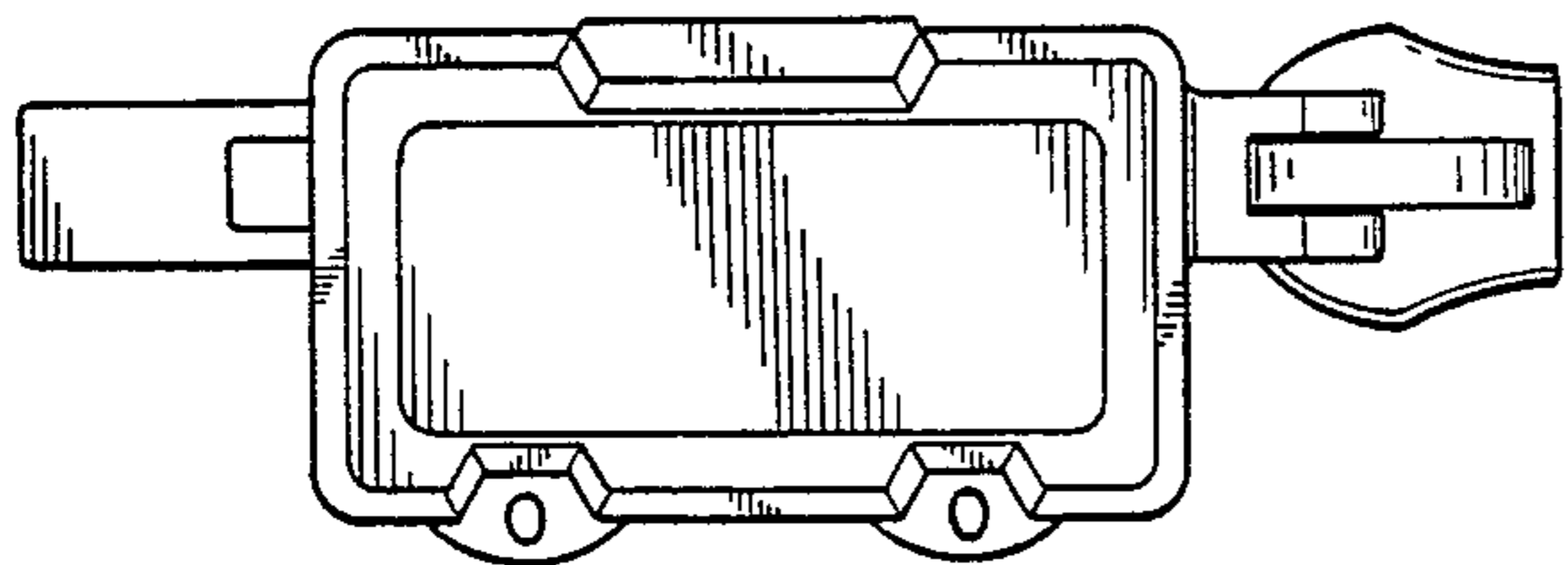


FIG. 2

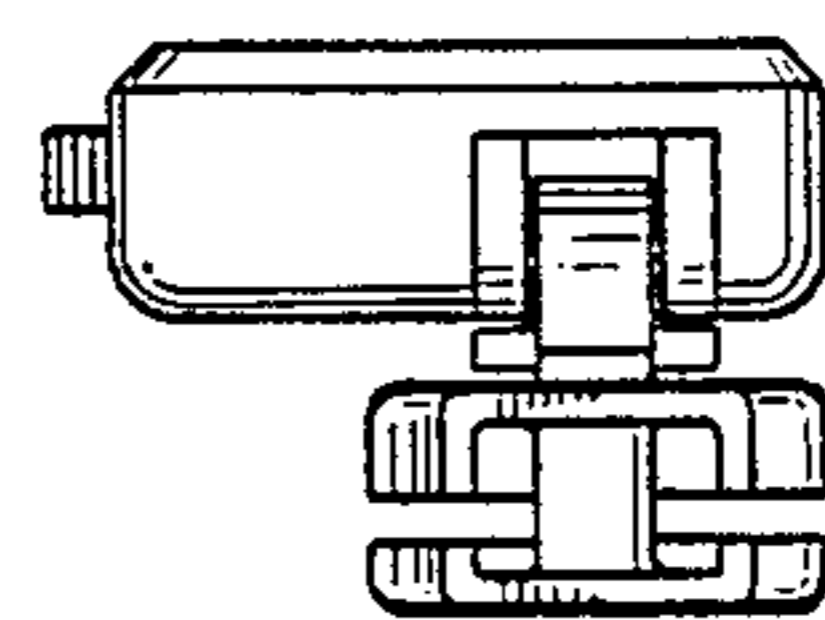


FIG. 4

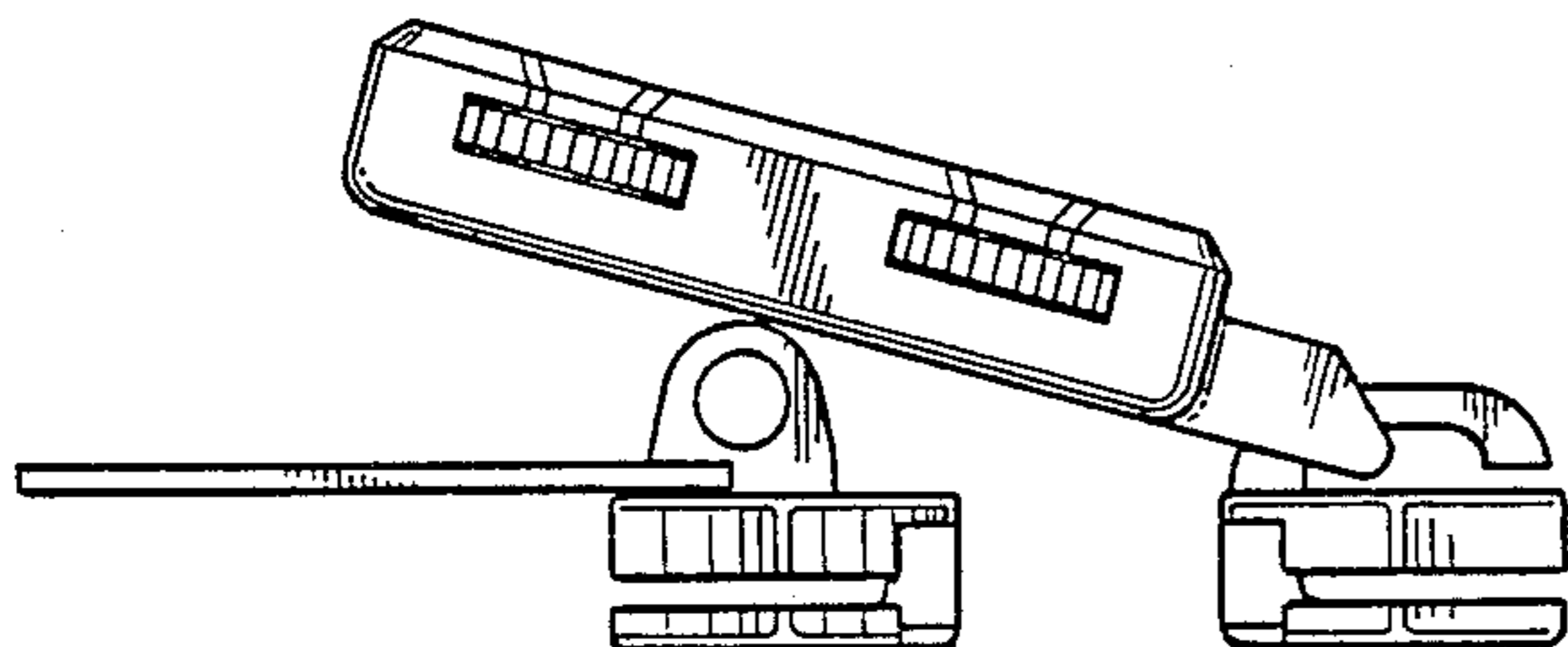


FIG. 1

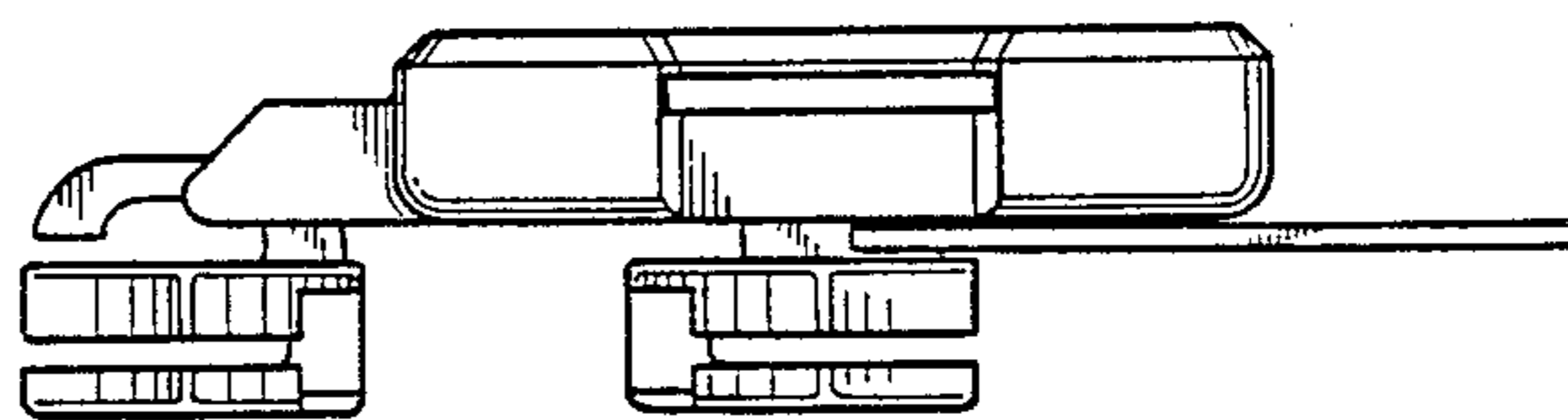


FIG. 6

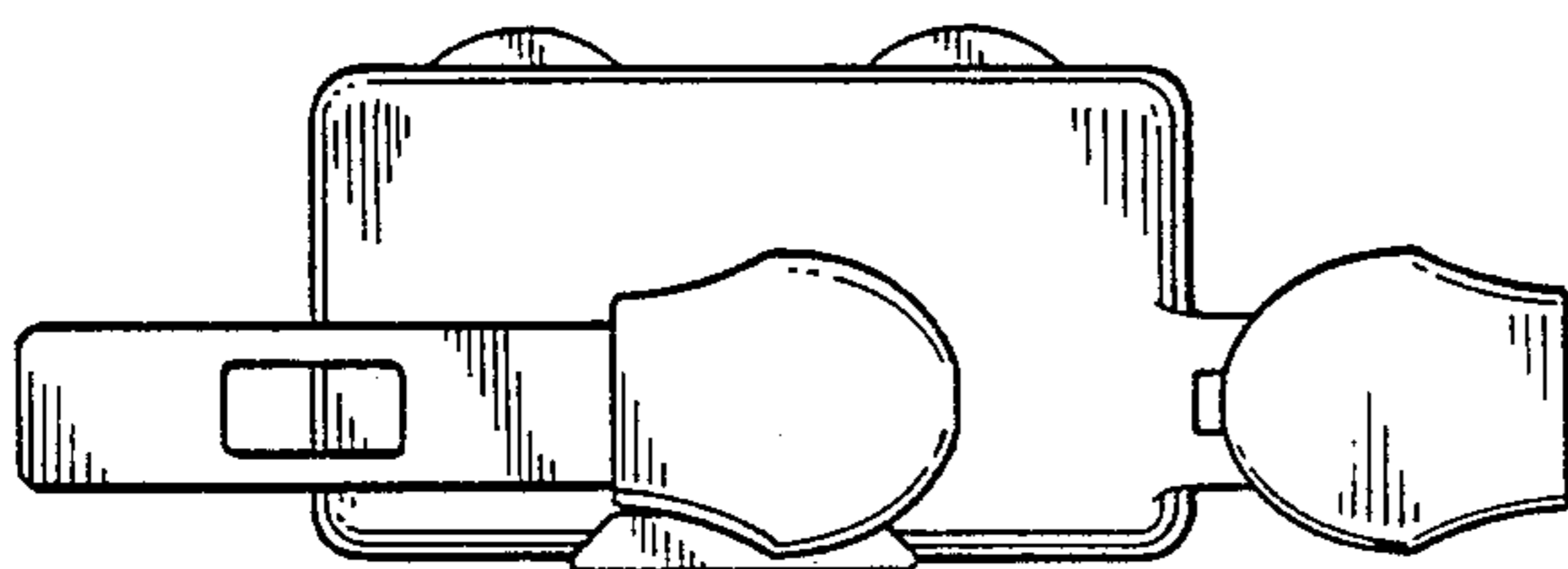


FIG. 3

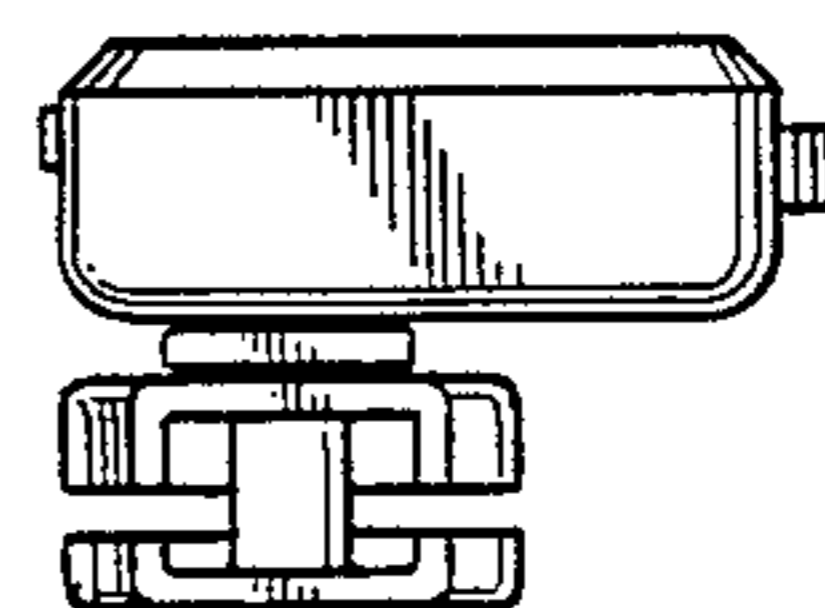


FIG. 7

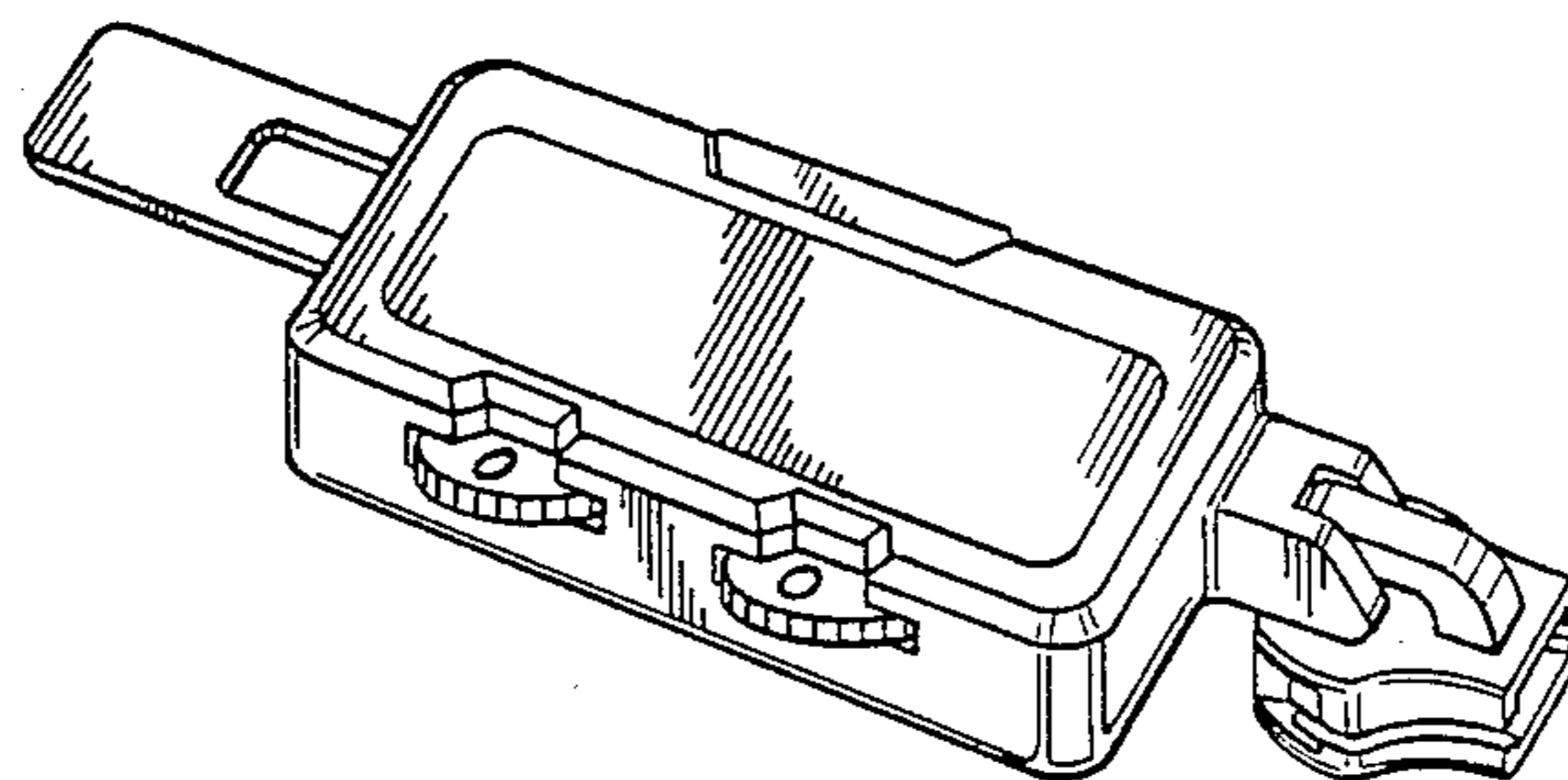


FIG. 5