

# United States Patent [19]

Inoue

[11] Patent Number: Des. 293,074

[45] Date of Patent: \*\* Dec. 8, 1987

- [54] DIAMOND ABRASIVE SAW BLADE  
[75] Inventor: Jiro Inoue, Sagamihara, Japan  
[73] Assignee: D.T.R. Co., Ltd., Kanagawa, Japan  
[\*\*] Term: 14 Years  
[21] Appl. No.: 657,268  
[22] Filed: Oct. 3, 1984  
[52] U.S. Cl. .... D8/20; D8/70;  
D15/133  
[58] Field of Search ..... D8/14, 20, 98-100,  
D8/70; D15/133; 83/835, 836, 851; 30/347;  
407/33, 47, 56, 61

135864 6/1979 German Democratic Rep. ... 83/835  
56332 5/1981 Japan ..... 83/851  
246511 1/1947 Switzerland ..... 30/347  
946929 7/1982 U.S.S.R. .... 83/851

*Primary Examiner*—Wallace R. Burke  
*Assistant Examiner*—C. E. Heflin  
*Attorney, Agent, or Firm*—Larson and Taylor

[56] **References Cited**

**U.S. PATENT DOCUMENTS**

1,752,586 4/1930 Bolinder ..... 83/835  
2,322,337 6/1943 Bahr ..... 30/347  
3,363,617 1/1968 Hoerer ..... 83/835

**FOREIGN PATENT DOCUMENTS**

2146371 3/1973 Fed. Rep. of Germany ..... 83/85  
1565432 3/1969 France ..... 30/347

[57] **CLAIM**

The ornamental design for a diamond abrasive saw blade, as shown and described.

**DESCRIPTION**

FIG. 1 is a top plan view of the diamond abrasive saw blade showing my new design;  
FIG. 2 is a front elevational view thereof;  
FIG. 3 is a bottom plan view thereof;  
FIG. 4 is a left side elevational view thereof;  
FIG. 5 is a right side elevational view thereof;  
FIG. 6 is a rear elevational view thereof;  
FIG. 7 is an enlarged cross-sectional view thereof taken along line 7-7 of FIG. 2;  
FIG. 8 is an enlarged cross-sectional view thereof taken along line 8-8 of FIG. 2.

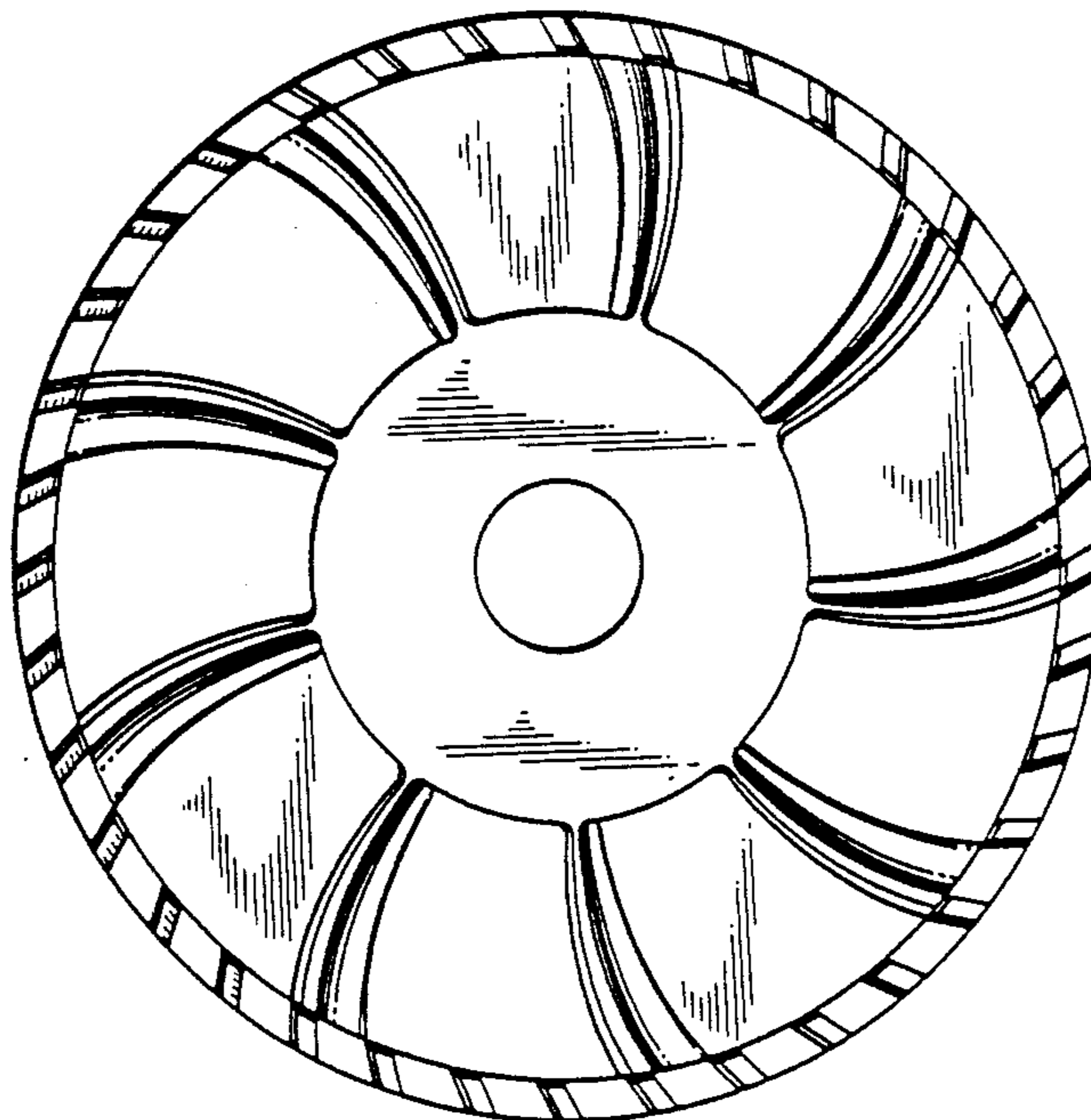


FIG. 1



FIG. 2

FIG. 5

FIG. 4

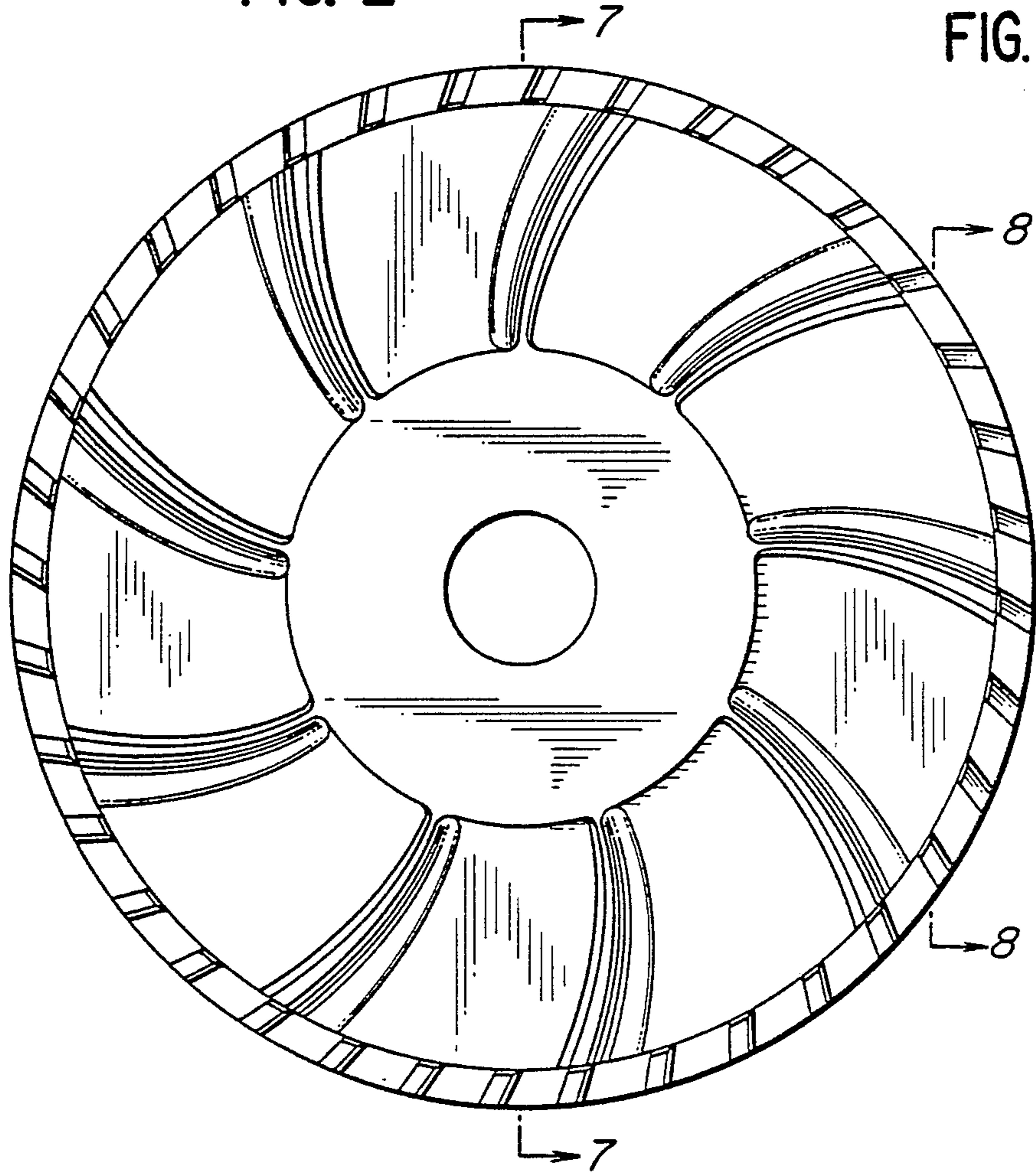


FIG. 3



FIG. 6

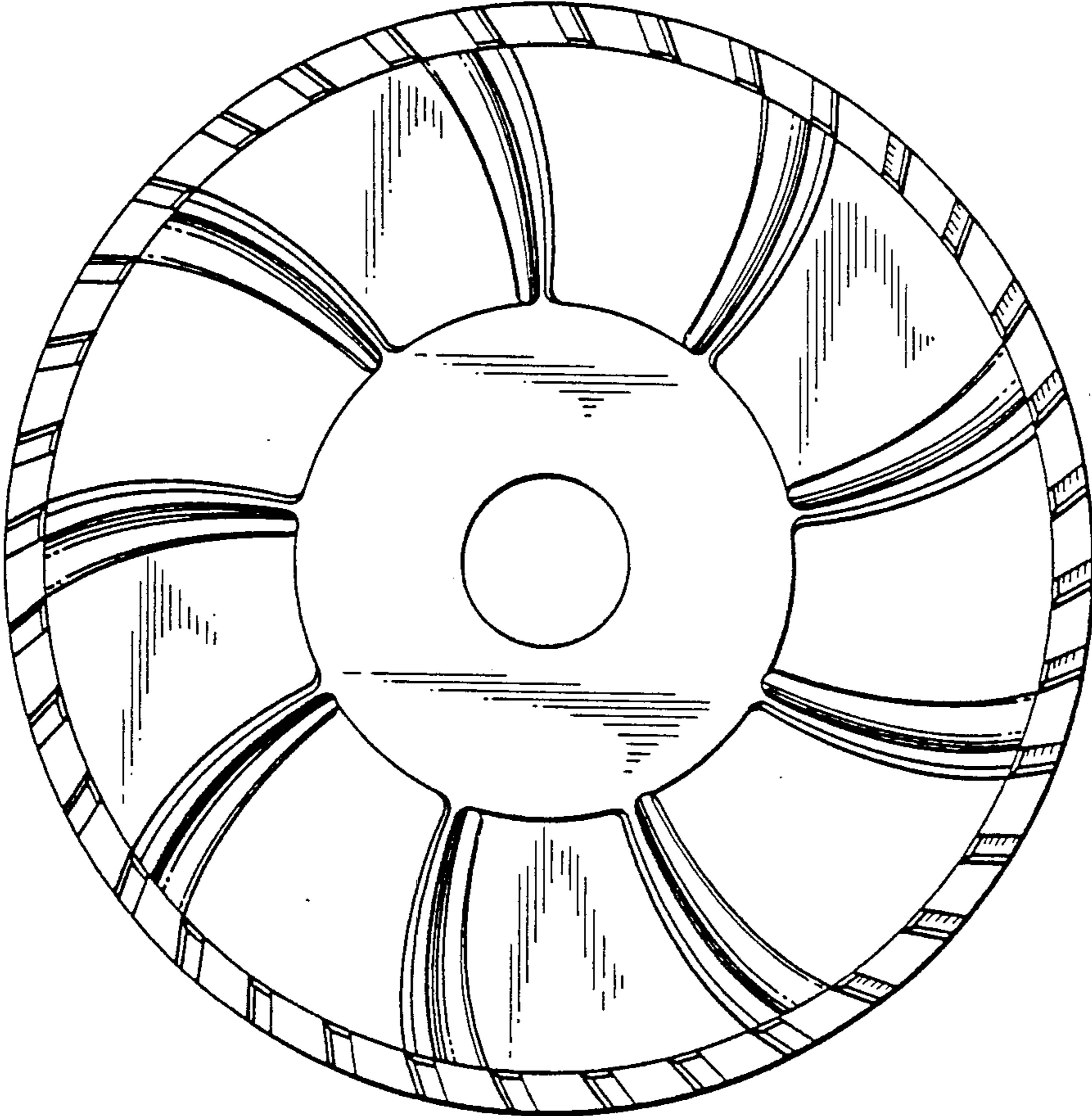


FIG. 7



FIG. 8

