

**United States Patent** [19]  
**Kim**

[11] **Patent Number: Des. 293,071**  
[45] **Date of Patent: \*\* Dec. 8, 1987**

[54] **FOOD PROCESSOR**  
[75] **Inventor: Young S. Kim, Terrace Sunnyville, Calif.**  
[73] **Assignee: Daewoo Electronics Co., Ltd., Seoul, Rep. of Korea**  
[\*\*] **Term: 14 Years**  
[21] **Appl. No.: 656,540**  
[22] **Filed: Oct. 1, 1984**  
[52] **U.S. Cl. .... D7/384**  
[58] **Field of Search .... D7/376-386, D7/412; 241/92, 93, 37.5, 282.1, 282.2**

4,506,836 3/1985 Williams ..... 241/92 X  
4,542,857 4/1985 Akasaka ..... 241/92 X

*Primary Examiner*—Bernard Ansher  
*Assistant Examiner*—Linda Titolo  
*Attorney, Agent, or Firm*—Lackenbach Siegel Marzullo & Aronson

[57] **CLAIM**

The ornamental design for a food processor, as shown and described.

**DESCRIPTION**

FIG. 1 is a top perspective view of the food processor, showing my new design;  
FIG. 2 is a top plan view thereof;  
FIG. 3 is a front elevational view thereof;  
FIG. 4 is a rear elevational view thereof;  
FIG. 5 is a right side elevational view thereof;  
FIG. 6 is a left side elevational view thereof; and  
FIG. 7 is a bottom plan view thereof.

[56] **References Cited**

**U.S. PATENT DOCUMENTS**

D. 251,407 3/1979 Tsuji et al. .... D7/384  
4,226,373 10/1980 Williams ..... 241/37.5  
4,240,338 12/1980 McClean ..... 241/92 X

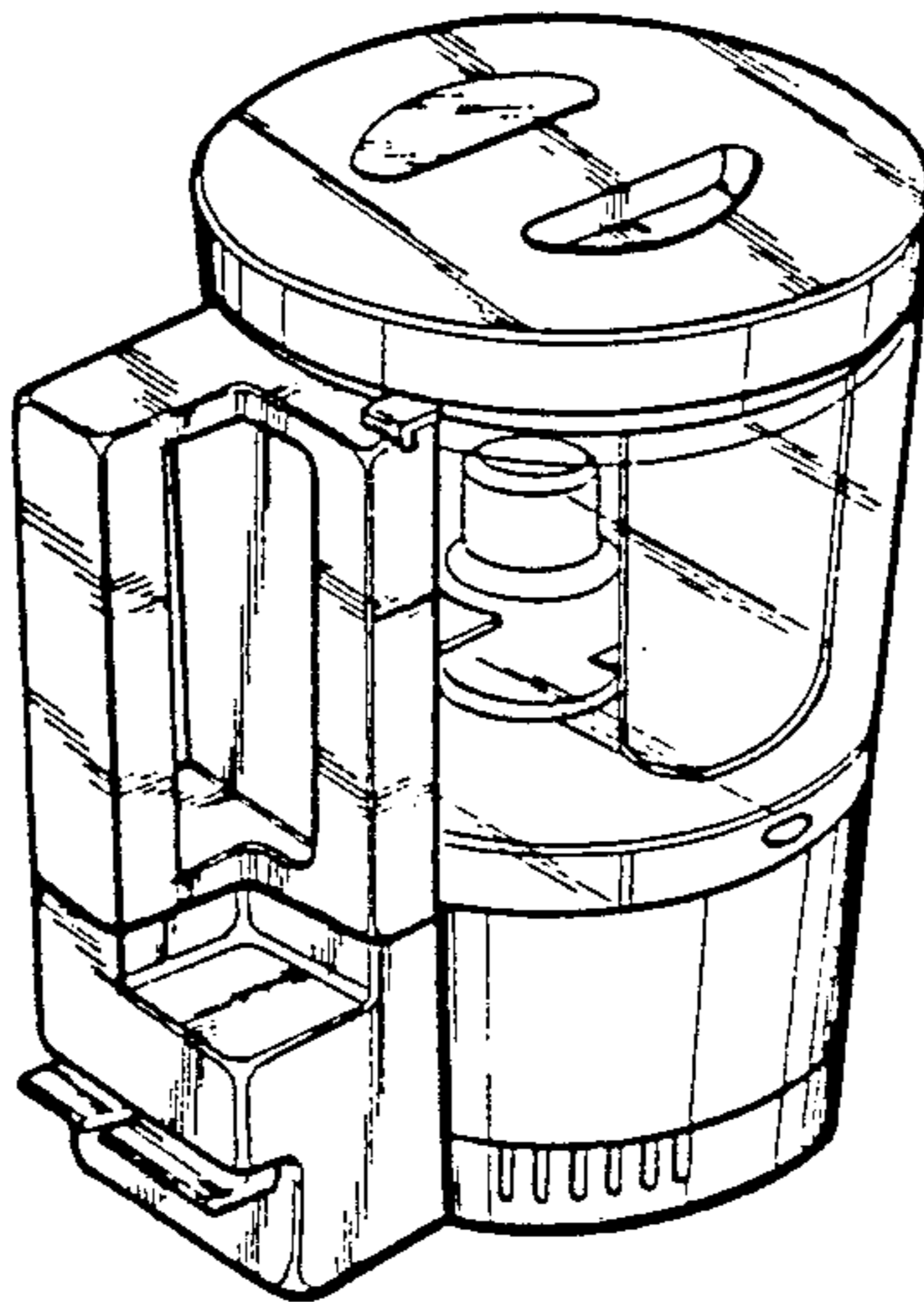


FIG. 1

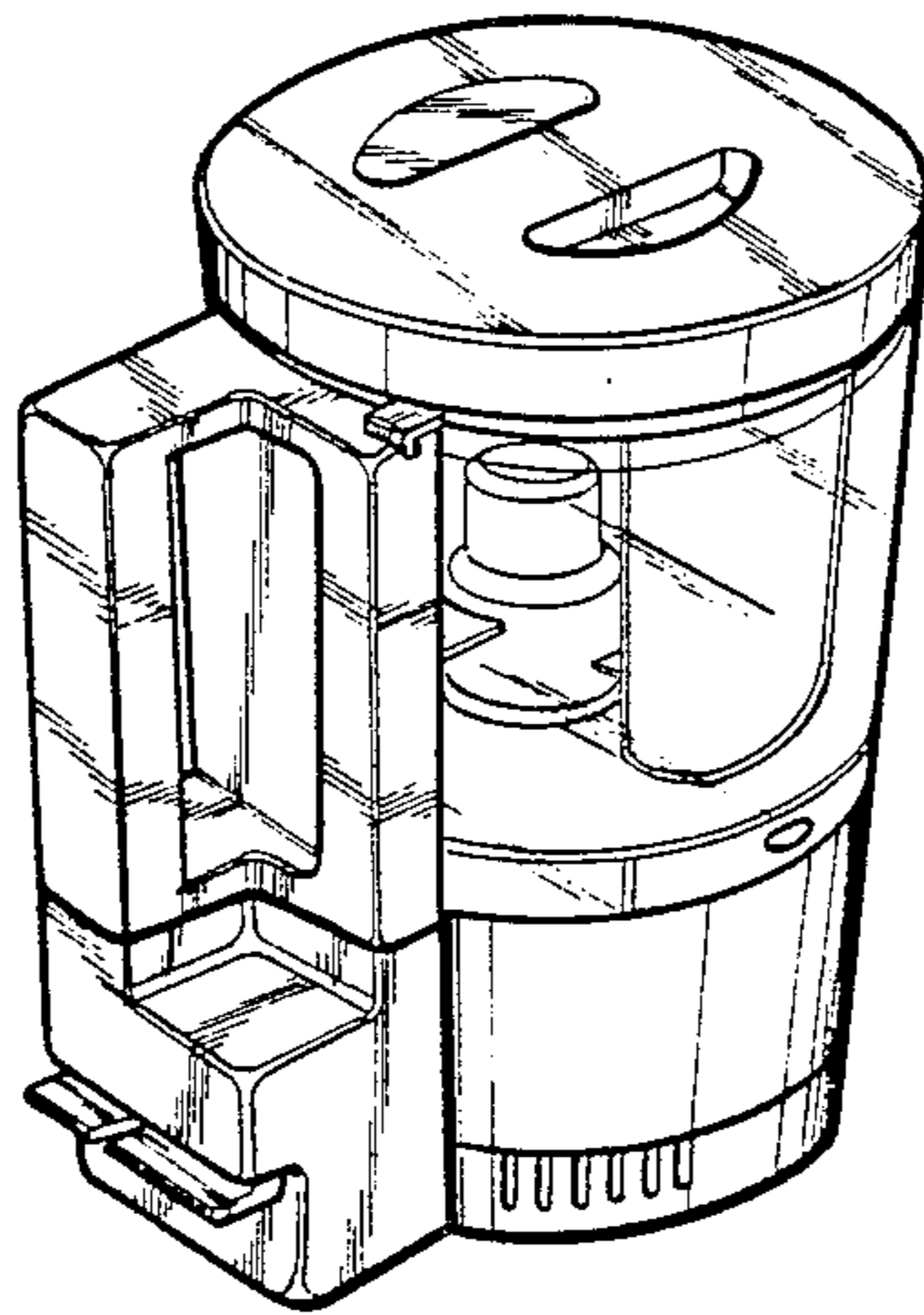


FIG. 2

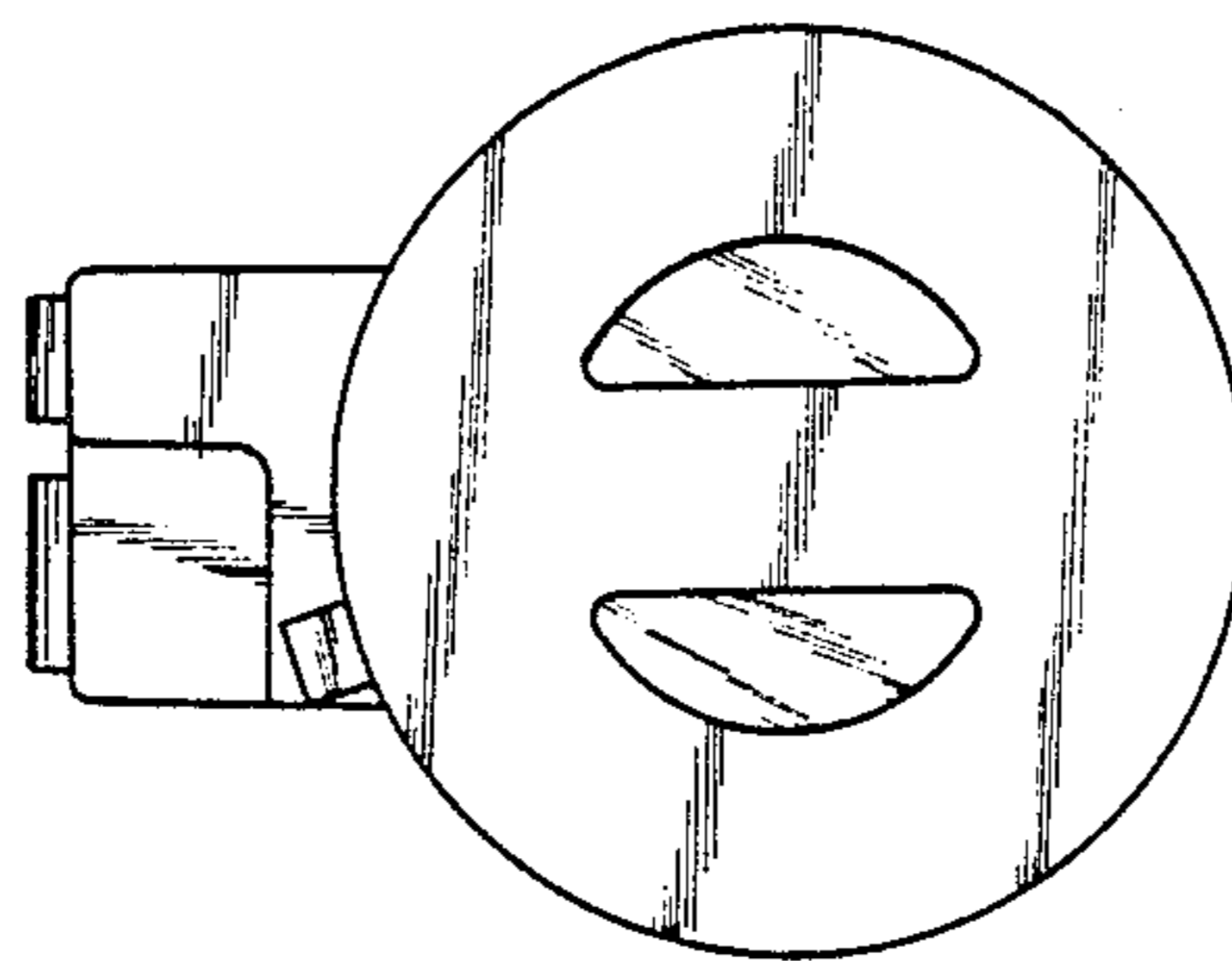


FIG. 3

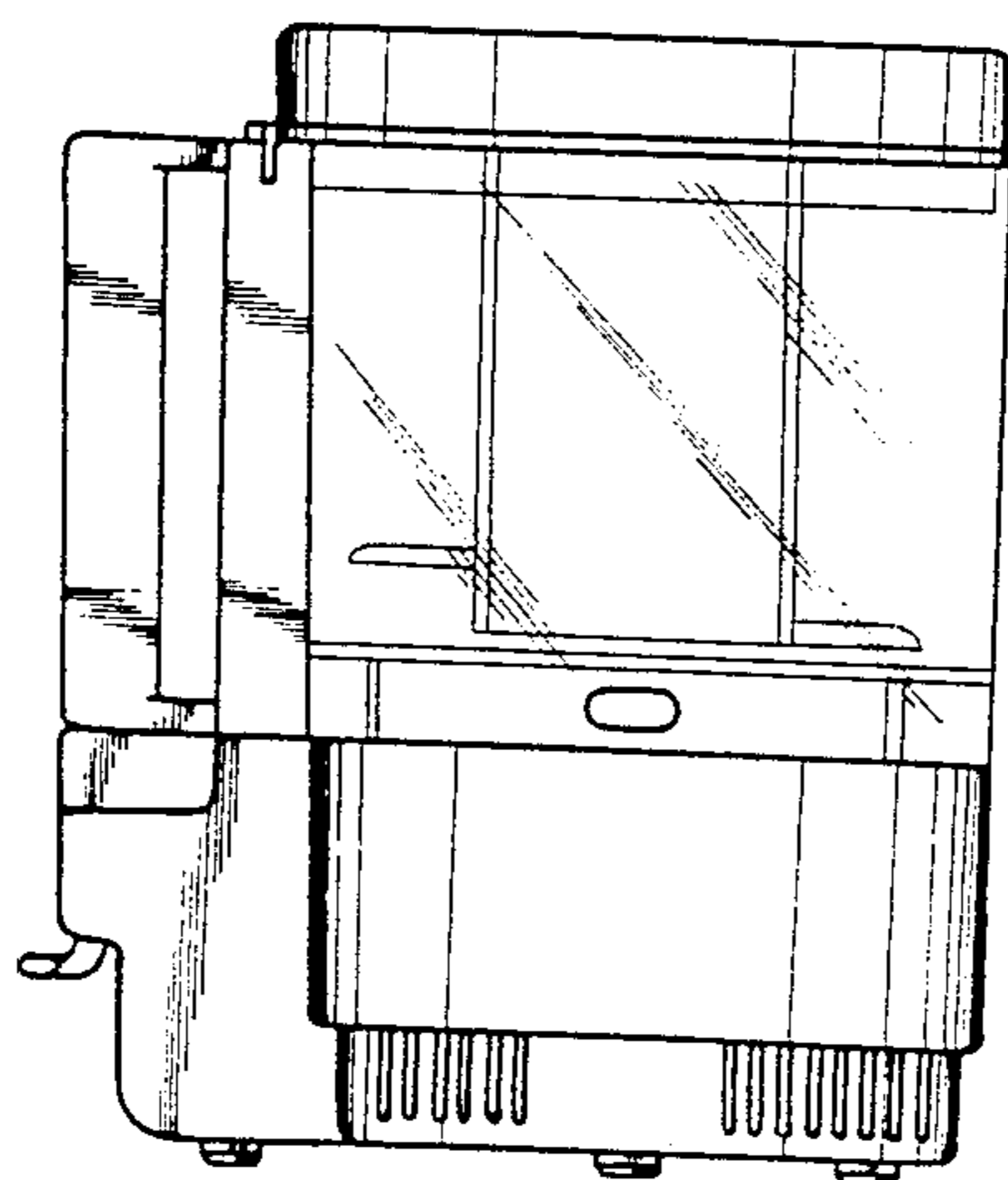


FIG. 4

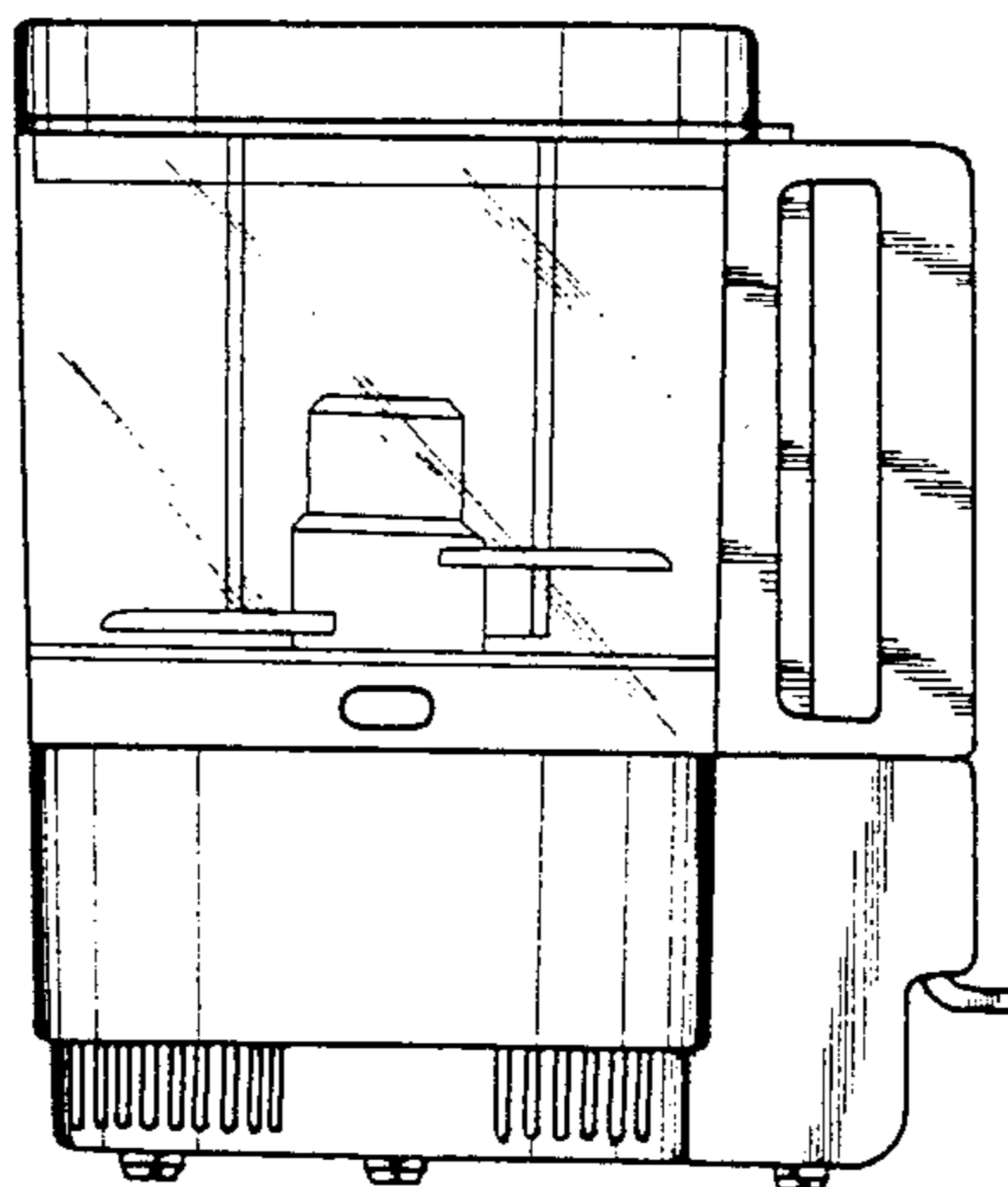


FIG. 5

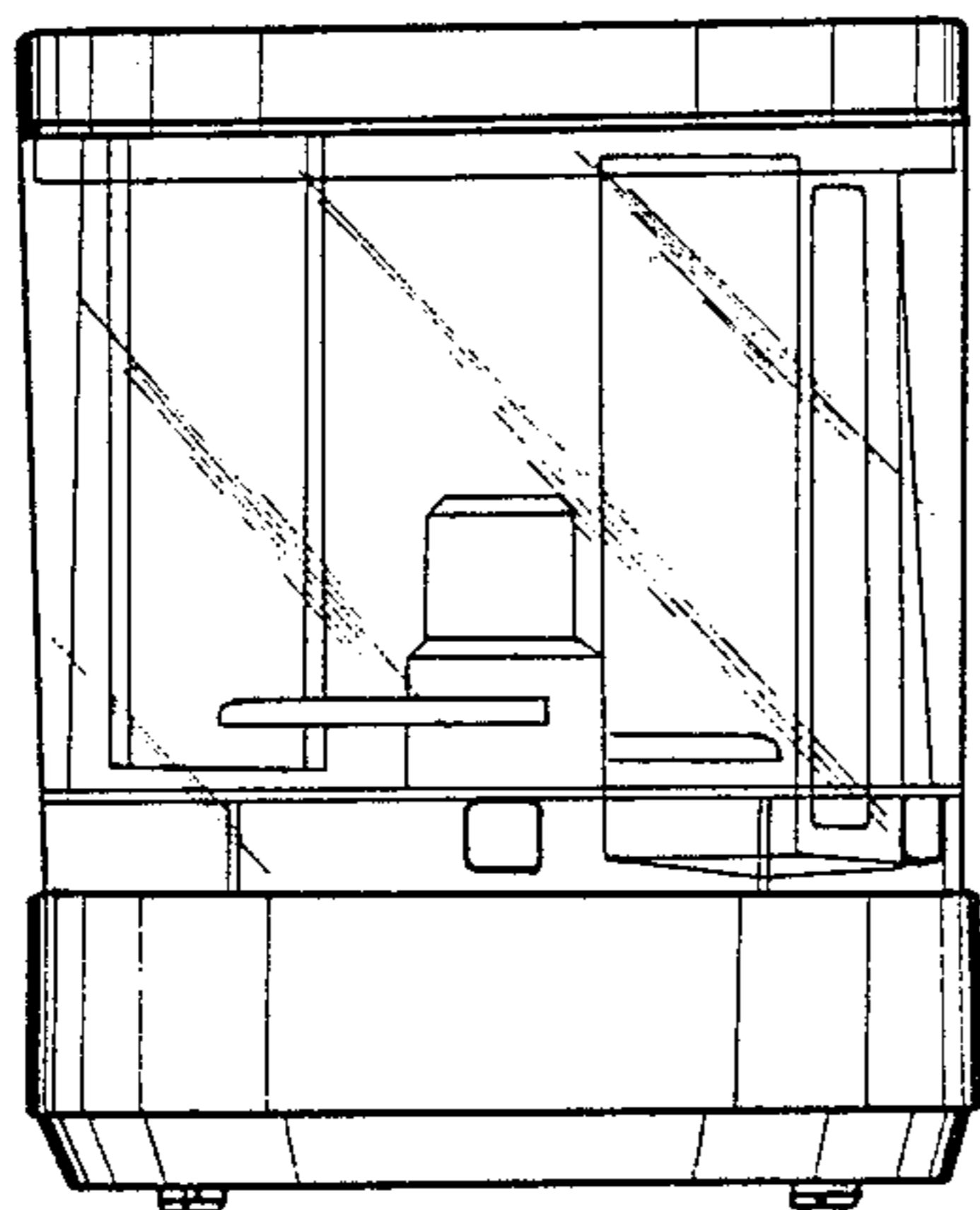


FIG. 6

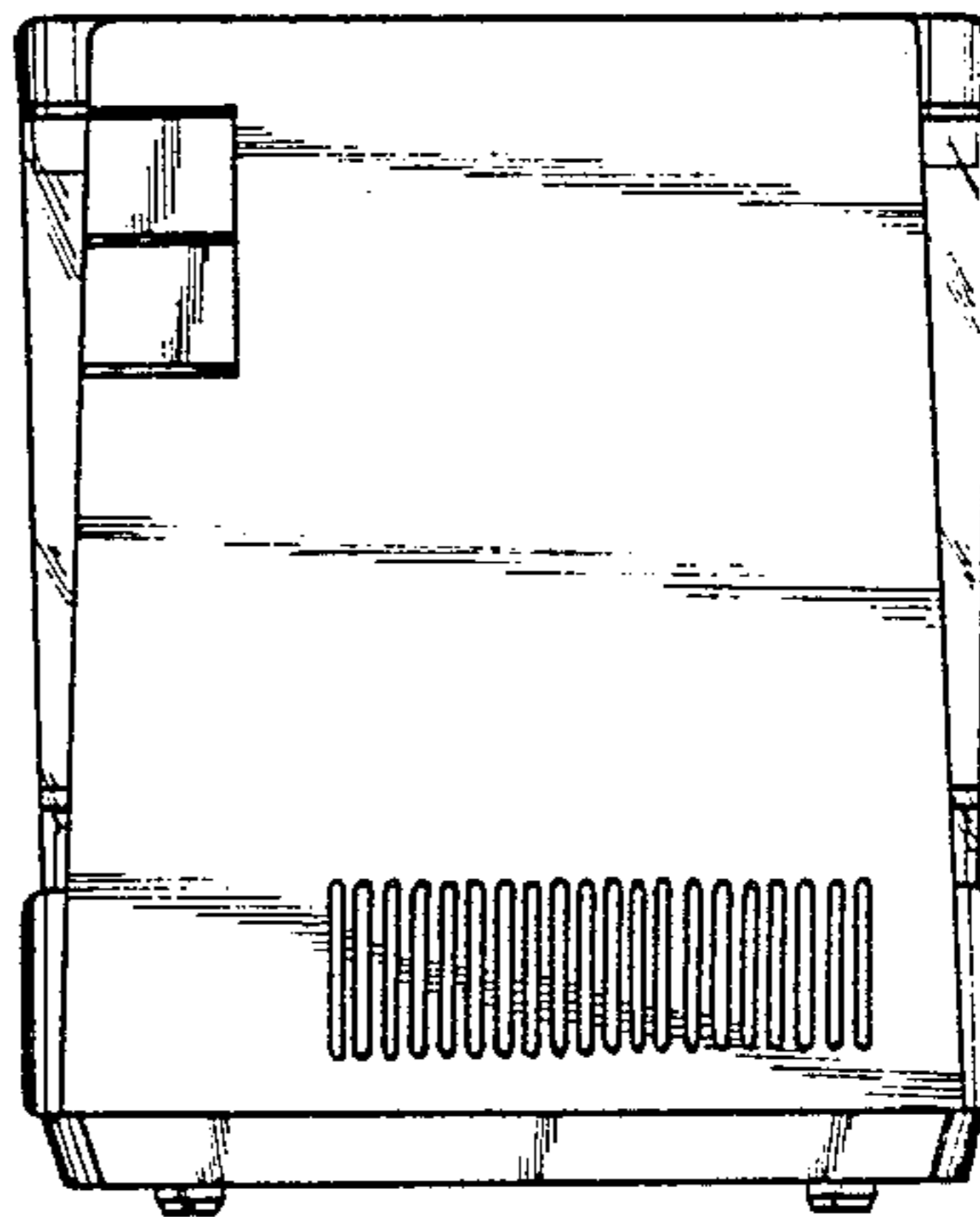


FIG. 7

